

KITCHEN & BEDROOM LIGHTING SOLUTIONS

2025

MAKING
LIGHTING
SIMPLE™



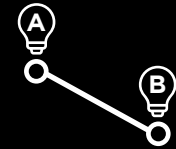
sensio®

BEAUTIFULLY SIMPLE LIGHTING SOLUTIONS

Since 2007 we've been creating lighting in harmony with modern life. Specialising in kitchens, bedrooms and bathrooms, quality and innovation has always been at the heart of what we do, from lighting that stands the test of time to technology that's exclusive to us.

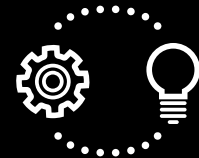
At Sensio we pride ourselves on providing premium products matched with a flawless execution and service. All of our lighting solutions are designed and developed right here in the UK, where we can constantly strive to create new concepts to brighten people's lives. Always pushing to pioneer new technology that seamlessly illuminates customers' homes, our passion is making lighting both intelligently simple and beautiful. We hope to inspire your space with the power of lighting and thank you for partnering with us at Sensio.

Michael Linsky
Managing Director



Making Lighting Simple

Our Promises to You



Market Leading Innovation

Making Lighting Simple - one of the defining principles by which we live and breathe. Everything we do, whether it is in the design of our products, our customer service or how we communicate, we strive to always have Making Lighting Simple at the core. If it's not simple for you, our customer, we find another way until it is. We place our focus on doing things a little differently. We are dedicated to designing and developing new and innovative lighting solutions that meet various design requirements. Our high quality range of products offer the very latest LED technology and features to work in harmony with customer's kitchens and bedrooms. With our own in-house Product Development Team, we have the ability to not only work closely with customers to design products we know they need, but also innovate and lead the way in creating first to market, patented products. We're here to offer our exemplary service levels to every single customer. Whether that's a quick resolution to your email query, ensuring your orders get to you on time and in full or proactive communication and exceptional account management, we're committed to offering extraordinary service at every point.



Extraordinary Service



PIONEERING DESIGN

We don't just follow the trends. We help set them.

Designing in-house, we develop our products and packaging with the future in mind. Thinking about efficiency and waste reduction whilst creating high quality innovation. Our expertise and industry knowledge is an integral part of our business with our in-house product development and design team based here in the UK. To us, every detail makes the difference and we're not satisfied until each product is finished to the highest standard. A number of our lights and profiles carry Registered Design Rights. This means as we strive to continually bring innovative and exciting products to the market, our valued partners can be assured of having access to products they won't find elsewhere. Our extensive product range is also constantly reviewed, enhanced and improved to ensure we stay at the forefront of our industry.

Superior quality, guaranteed durability

We pride ourselves on using only the best components and materials to guarantee long life performance, high light output and enhanced durability. All of our products go through rigorous third-party testing and we're proud to be ISO 9001 accredited. Our products have won awards for their design excellence time and time again and we're so confident that each product will exceed your expectations that we offer a 5-year guarantee on all of our kitchen and bedroom fittings.

Inspiring service & solutions

We're always researching the latest trends, technology and fashion to deliver solutions that stand the test of time. We delve deep into the market to shine a light on how our products can improve home environments and the way people live. So whenever you choose a Sensio product, you can be assured it's been thoughtfully created for the future.



We're working towards a more sustainable future and are committing resources to actively reduce our footprint.

We care about our impact on the world and have set ourselves goals over the next 3, 5 and 10 years to meet high standards throughout our processes, operations and products to limit or mitigate our impact on the environment. These include:

Packaging



We aim to reduce plastics from our product packaging as much as possible, including recyclable plastics, in favour of paper and cardboard

Product



All products will be created with Long Design Life in mind, ensuring robust, long serving products including use of high quality LEDs for maximum life span

Partnerships

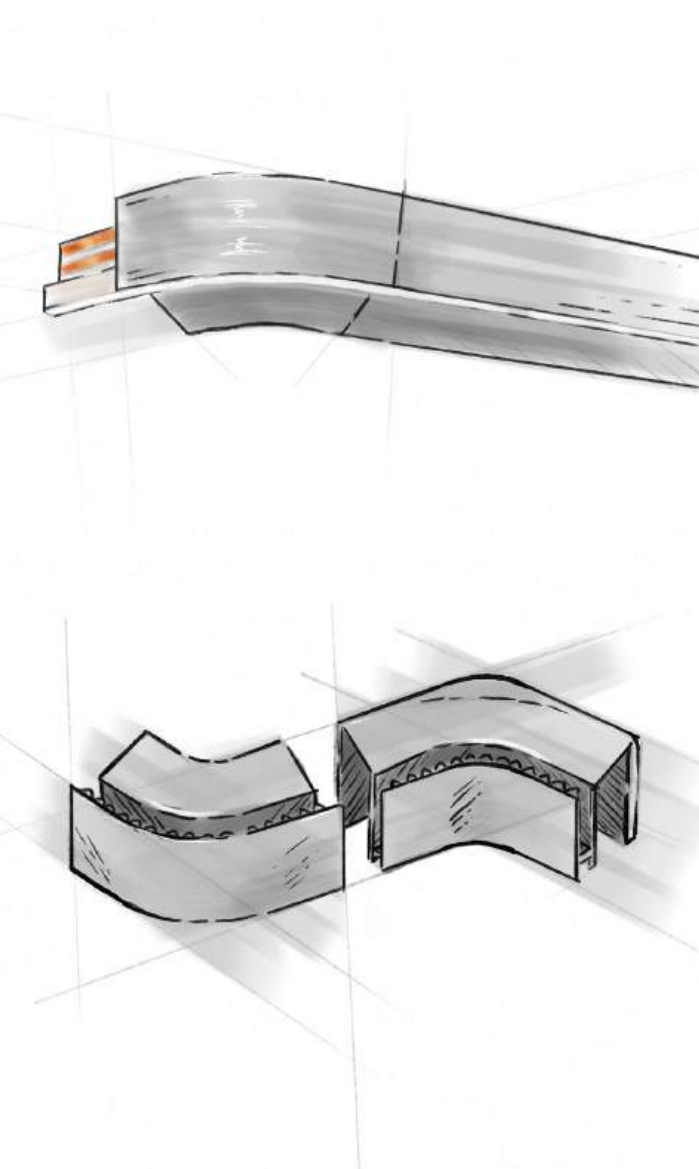


Careful selection of our production partners evaluated in accordance with our guidelines and carry ISO 14001

Net Zero



Improve the robustness of our supply chain to mitigate air carriage, maximise sea freight efficiencies and increase local production to help achieve our target of Net Zero



CONTENTS

Pioneering Design	4
The Power of Lighting	8
Creating a Lighting Plan	10
Choosing Kitchen Lighting	12
Custom Colour	14
Technical Centre	16
The Sensio Series	20
Product Features Guide	22
Flexible LED Strip Lighting	24
Dart	28
Primo 2	30
Neutron	32
Sigma 2	34
Viva 3	36
Radiant	38
Razor	40
Delta	42
Polar X	44
Razor X	46
Ion 8	48
Ion 5	50
Radiant Pro	52
Polar Pro	54
Polar X Pro	56
Razor X Pro	58
Flux	60
Polar RGB CCT	62
Profiles & Integrated Solutions	64
Gamma	68
Blaze	70
Accent	72
Adapt	74
Glow	76
Vector	78
Adorn	80
Beam	82
Fino	84
Linia	86
Contour	88
Edge	90
Zella	92
Ray	94
Manta	96
Genoa	98
Glow Pro / Glow	100
Flex with Polar X Pro	102
Expanse Pro / Expanse	106
Verona	108
Torino	110

Under Cabinet Lighting	112	SensioPod Pop-Up Sockets	178
Plaza	114	SensioPod E	180
Solo	115	SensioPod M	181
Treos	116	SensioPod M Bluetooth	182
Zeta	117		
Velos	118	Lighting Power & Control	184
Ark	120	Titan Dimmable	187
Nexus	121	Titan+	188
Apex TrioTone®	122	Titan+ Wireless	190
Ark TrioTone®	124	Titan Smart Kinetic	192
Astro TrioTone®	126	Titan Smart RGB CCT	193
Bermuda TrioTone®	128	Universal Remote Control	194
Hype TrioTone®	129	Wireless PIR	196
Horizon TrioTone®	130	Link-S	197
Neo TrioTone®	132		
Nexus TrioTone®	134		
Ark Pro	136	Product Index	198
Astro Pro	138	FAQ	202
Horizon Pro	140	Get In Touch	203
Hype R Pro	142		
Neo Pro	144		
Axis	146		
Connex	147		
Connex TrioTone®	148		
Corner Pantry Pack	149		
Plinth Spotlights	150		
Iris	152		
Luce TrioTone®	153		
Halo TrioTone®	154		
Stellar Pro	155		
Battery, Drawer & Wardrobe Lighting	156		
Alto	158		
Incline	159		
Verso	160		
Magnum	161		
Strata	162		
Opus	164		
Ceiling & Feature Lighting	166		
Zirconia	168		
Solinas	169		
TrioTone® IP65	170		
Pure TrioTone®	172		
TrioTone® Dual Power Cube & Circa	174		
Cara	176		
Elena TrioTone®	177		

THE POWER OF LIGHTING

Lighting can completely transform your space beyond the practical benefit it brings. It creates ambience, a brighter, more spacious and multi-dimensional feel and highlights design features. Considering a lighting scheme at the initial design stages will influence the overall atmosphere of the interior space.



CREATING A LIGHTING PLAN

Add impactful lighting to the kitchen by following our simple and stress-free tips.

Light in layers

Splitting lighting into three categories from task to mood and convenience gives you the opportunity to layer your lighting. Start with task lighting around food preparation areas, transition into convenience lighting inside cupboards or drawers and then consider how mood lighting could create an ambient atmosphere.

Factor in the power

Creating multiple zones of lighting calls for power to different parts of the kitchen. It's much easier to install the wiring before the kitchen installation, so plan where wiring needs to be included so you can power the lights once installed. Think about the wall units, base units and the island unit if you want to create feature lighting under worktop edges or plinths.

Complement the kitchen design

Is the kitchen contemporary or traditional? Rustic or modern? This may help inform the style of fitting you choose but also the colour temperature of the lights. Warm white LEDs emit a yellow glow and complement a traditional style kitchen featuring wood surfaces and muted worktops perfectly, whereas cool white LEDs are more suited to contemporary style kitchens. The white light bounces off gloss or contemporary surfaces like granite for a mesmerising finish.

Get creative

Much more than a functional feature, lights can truly transform a space. Zoning the lights so they run from different switches really helps make the most of the space as you're in control of which lights turn on and when.

Consider the controls

Lighting elements can be controlled either together or separately depending on the kind of lighting you install and how the kitchen space will be used. For example, you may want all the under cabinet lighting to turn on together, you may want the kitchen cupboards to light up when the cupboard door is opened, or you may want to create a relaxing ambience with feature lighting switched on with the touch of a remote or smart phone app.



We know how important it is for customers to envision how their kitchen design will look in the initial stages. To ensure the process runs as smoothly as possible, we are partnered with leading kitchen design software to bring your dream plans to life: 2020, KBB Connect, KBB Smart and Compusoft.



CHOOSING KITCHEN LIGHTING

Kitchen lighting can be split in to three categories, with each offering its own purpose and benefits:

1

Task Lighting

As the name suggests, task lighting is perfectly positioned to ensure the kitchen is an efficient working space for everyday tasks such as cooking. Typically, kitchen task lighting is positioned under wall units to illuminate the worktop, focusing light exactly where it is needed.

2

Convenience Lighting

Convenience lighting illuminates cupboards, wardrobes and drawers when opened for ultimate ease of use, while adding a luxurious finish to the kitchen or bedroom design.

3

Mood Lighting

Mood lighting creates depth and dimension, which is essential for creating atmosphere within a room. If you're looking to brighten the mood of the kitchen, consider lighting along the plinth, up-lighting above wall units, lighting beneath breakfast bars or the underside of a worktop and lighting the inside of glass fronted cabinets. Mood lighting is often overlooked, but one that can have a profound impact.





CUSTOM COLOUR

The LED colour you choose can make a huge impact on the overall look

Choosing the right lighting colour will boost the aesthetics of the design by complimenting the chosen colours and materials. Typically, LEDs are available as cool, natural or warm, and we use a measure called the Kelvin scale (K) to determine the temperature output of our lights. Anything between 2500K and 3000K is considered warm, 3500K and 4500K is natural, while anything between 4500K and 6500K emits a cooler temperature.



Cool white LEDs are more suited to contemporary or modern styles. Cool white bounces off gloss or contemporary surfaces to create a stunning effect.



Natural white sits between warm and cool white and recreates the effect of natural daylight. Natural white's versatility means it can complement a range of styles.

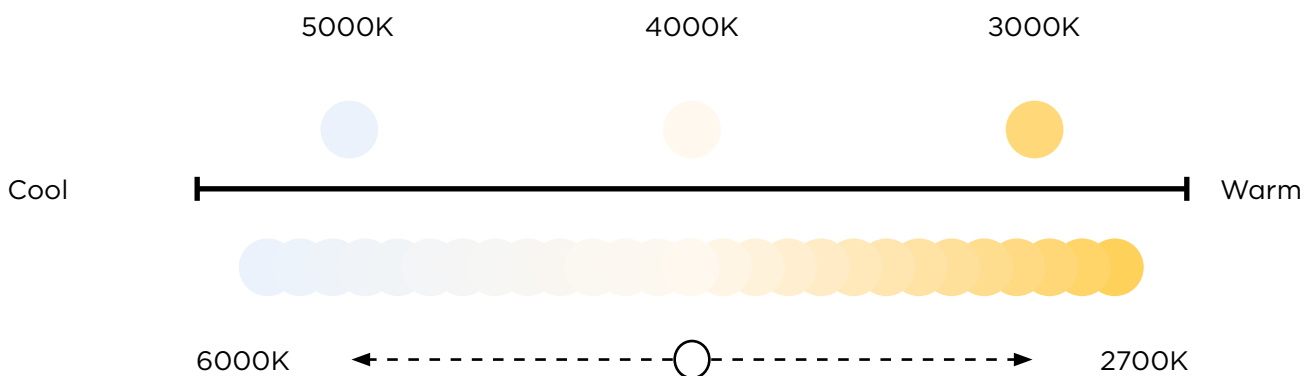


Warm white LEDs emit a yellow glow (similar to that of a halogen) and perfectly complement traditional styles with features such as timber finishes and muted worktops.

TrioTone®

A Sensio trademarked concept first introduced in 2017, TrioTone® provides 3-in-1 lighting choice in one fitting. These diverse products are specifically designed to provide the option to select or change the colour temperature without having to replace the whole fitting. Sensio TrioTone® products can be set to 3000K (warm white), 4000K (natural white) or 5000K (cool white).

TrioTone® lights feature a switch to set the colour temperature on individual fittings.



CCT

Correlated Colour Temperature (CCT) is a concept that provides a seamless transition from warm to cool white temperatures. CCT gives the user the power to cycle through the full spectrum of temperatures between cool, natural and warm light. This allows you to accurately mimic outside lighting conditions - a feature that has been scientifically proven to have a positive impact on our health.

CCT products allow for advanced control via our Universal Remote & CCT receiver or Titan Smart Kinetic Driver paired with the kinetic switch, Link Sensio app or smart home device

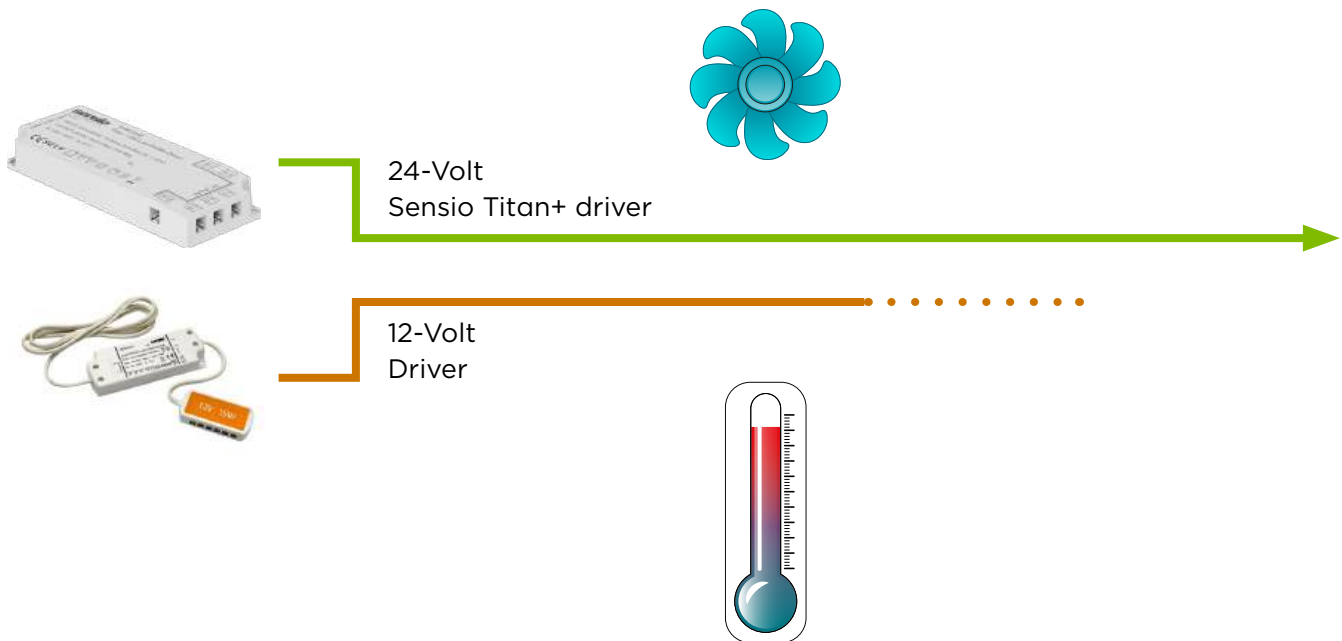


TECHNICAL CENTRE

Some lights present different options for installation, linking together and control. These pages, alongside the detailed information around choosing the correct driver found on pages 180-181, will make the process of selecting and installing our lighting as simple as possible.

12-Volt vs. 24-Volt Lighting

All Sensio lights are 24-volt, offering a number of benefits over alternative 12-volt solutions.



Less voltage drop

24-Volt allows for longer runs of light with no loss of power or brightness over distance.

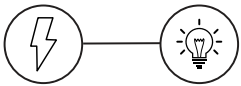
Stays cooler

24-volt lighting dissipates less heat and stays cooler over time. This means more efficient lights which don't overheat.

Up to 75% more efficient

For a given power wattage, a 24-volt Sensio product will consume 50% less current than the 12-volt equivalent, offering up to 75% more efficiency when factoring reduced heat loss.

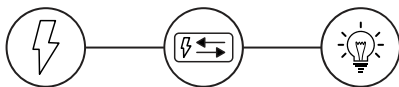
Power



240V Products

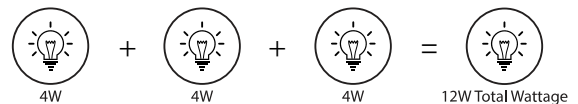
240 volt products can either be plugged into a power socket or wired directly to the mains.

Please note: The majority of 240V products do not come with a pre-wired plug.



24V Products

24V is significantly lower than the mains electricity that comes into our homes. Our low voltage products require an LED driver that converts the voltage from 240V to 24V. All our 24V products are Plug & Play - this means they plug directly into the LED driver without the need for an electrician.



Wattage and LED Drivers

The number of lights that an LED driver can power is determined by the wattage, so it is important that the driver selected has an adequate wattage for the lights. The appropriate LED driver can be easily found by calculating the total wattage of all lights in the run. The total wattage should not exceed the rated wattage of the LED driver.

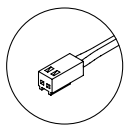


Daisy Chain Products

To make installation as simple as possible, some of our products can be linked together in a daisy chain. This is a great way to extend the range of an LED driver in a long run of lights. Especially when powered with a higher voltage, such as 24V.

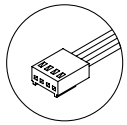
TECHNICAL CENTRE

Connectors



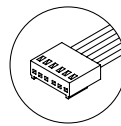
2-Pin

The most-common type of connector in the Sensio range and compatible with all drivers (with exception of the CCT Titan Smart Kinetic Driver). This type of connector is also compatible with the Single Colour Receiver.



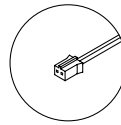
4-Pin

These are found on our CCT products and are compatible with Titan Smart Kinetic Drivers and the CCT Receiver.



6-Pin

These are found on our RGCCT products and assist in the control of both colour temperature and RGB in compatible products.



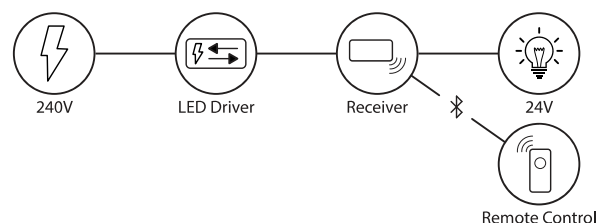
Quick Connect

This port enables the driver connection cable to plug directly into the back of the lamp, simplifying installation.

Lighting Control

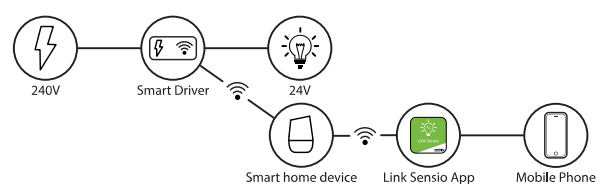
Receivers and Remotes

Receivers and remotes allow for additional lighting control such as dimming, changing colour temperature and RGB. These can be added to most Sensio products.



Smart Products

Smart Drivers allow Sensio 24V products to connect to smart home devices such as the Google Assistant and Amazon Alexa via the Link Sensio App, adding smart lighting control. See more on p188.



Sensors & Switches



Infrared (IR) sensors

IR sensors are used to control lighting with close-range hand gestures. Example: waving to turn your lights on/off.



Passive infrared (PIR) sensors

PIR sensors are used to control lighting when somebody enters the detection range. Example: entering a room.



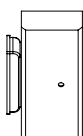
Gate / door sensors

Gate (or door) sensors are used to control lighting with the opening and closing of doors. Example: opening a cabinet or drawer.



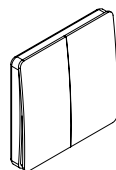
Push switches & touch sensors

Push switches are used to control lighting with the push of a button.



Magnet and reed switch

A magnet and reed switch is used to control lighting with the opening and closing of doors. Multiple switches can be set up to control the same set of lights. It is also wireless.



Kinetic switch

Kinetic switches are used in conjunction with the Titan Smart Kinetic drivers or mains 240V kinetic receiver, to offer the freedom of wireless control. The switches require no additional power or installation and offer advanced control such as dimming and colour adjusting when configured with CCT lights. 1, 2 and 3 gang switches available.

THE SENSIO SERIES

**Design and innovation are at the core of Sensio,
Striving for simplicity without compromise**



50,000 Hours
Light Life

Fantastic longevity providing the equivalent life to having the lights switched on continuously for 5 hours a day, for 27 years!



High Efficiency

Not only does each light benefit from a superb lumen output, ensuring bright illumination, each light runs off 24V, making them exceptionally efficient to run and providing maximum light performance.



High Colour Accuracy

Brightness and consistency of the lights is of exceptional standard and provides a true reflection of the colour temperature.



Quality Guaranteed

Each light has been designed and manufactured to guarantee superb performance, longevity and quality and benefits from Sensio's 5 year guarantee.

Our collections are designed to group products by features to make the lighting design process easy. Ranging from a simple all natural white set, controlled at the wall through to voice activated, custom colour solutions.

All Sensio lights feature the same quality components and designs at their core to deliver stylish and efficient products, you can trust will last a lifetime:

SERIES

Simplicity

A concise range of simple, high quality LED lights with no compromise on quality or efficiency whilst benefitting from excellent pricing (based on minimum order quantities).

SERIBS

Choice

Choice and customisation offered across a wide selection of products adding colour temperature options and different product finishes.

SERIES

Technology

Advanced lighting colour technology and control options to truly bring smart connectivity to the home.

PRODUCT FEATURES GUIDE

All our products have their own unique features. To help compare and select products quickly and easily, you will find icons on each product page.

Lighting



Dimmable



Correlated Colour Temperature



TrioTone® - 3 in 1 light temperature



Full RGB CCT spectrum control



Cool white lighting



Natural white lighting



Warm white lighting

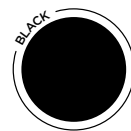
Styling



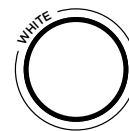
Stainless steel finish



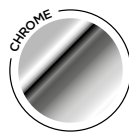
Aluminium finish



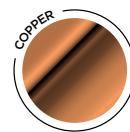
Black finish



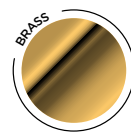
White finish



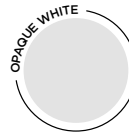
Chrome finish



Copper finish



Brass finish



Opaque white finish



Champagne finish

Notes

- All products are IP20 unless stated as higher
- Always refer to the installation guides provided with all our products for more detailed information on fitting
- Whilst Sensio lights are designed to be simple plug & play systems, any mains electrical work should be carried out by a certified electrician

Connect & Control



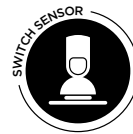
Infra-red sensor - swipe activated



Touch activated



Activates on opening of a door or drawer



Push button activated

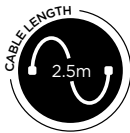


Wireless Kinetic



PIR sensor - motion activated

Installation



Supplied cable length



Fire rated for additional safety



Battery powered (Replacable)



Rechargeable battery power



Resistant to larger objects such as fingers. No water protection



Resists ingress of objects over 1mm and water splashes



Resists partial dust ingress and water splashes



Dust and air tight. Resists low pressure water jets

Lifestyle



Bluetooth connectivity enabled



Sync with your smart home devices



Integrated Qi charger for wireless capable devices



Can be controlled via the 'Link Sensio' App

FLEXIBLE LED STRIP LIGHTING

- Simple to use and can be installed almost anywhere
- Adds depth to the kitchen by illuminating above the wall units, along the plinth or under the worktop edge
- Perfect for creating ambient mood lighting
- Can be used inside profiles, which offer an alternative way to secure the strip, diffuse and angle the light



Flexible Strips - Quick Comparison

FLEXIBLE STRIP	VHB TAPE	DESCRIPTION	WATTAGE	LUMENS	COLOUR TEMP.
Dart	Yes	A simple, highly efficient flexible strip light with superb light output.	3.6 W/m	410 lm/m	Natural (4000K)
Primo 2	Yes	A versatile and efficient strip, ideal for use along plinths.	3.6 W/m	425 lm/m 415 lm/m	Cool (5000K) Warm (3000K)
Neutron	Yes	At just 3.5mm in width, this is the industry's smallest flexible strip!	4.8 W/m	565 lm/m 560 lm/m 535 lm/m	Cool (5000K) Neutral (4000K) Warm (3000K)
Sigma 2	Yes	The innovative construction allows this bendable strip to go around 90 degree corners.	4.8 W/m	570 lm/m 575 lm/m 530 lm/m	Cool (5000K) Natural (4000K) Warm (3000K)
Viva 3	Yes	A versatile, silicone coated, IP54 flexible strip.	4 W/m	520 lm/m 505 lm/m 470 lm/m	Cool (5500K) Natural (4000K) Warm (3000K)
Radiant	Yes	A fully diffused, bendable, silicone flex strip which can be recessed into a surface.	4.8 W/m	305 lm/m 293 lm/m 285 lm/m	Cool (6000K) Natural (4000K) Warm (3000K)
Razor	Yes	An edge-lit COB flexible strip, ideal for directing light across a surface.	6 W/m	415 lm/m	Natural (4000K) Warm (3000K)
Delta	Yes	A fully diffused, silicone strip with 3 sides of illumination.	6 W/m	600 lm/m	Cool (5000K) Warm (3000K)
Polar X	Yes	An updated model of our popular COB strip, bringing the ability to cut anywhere.	6 W/m	600 lm/m	Cool (6500K) Natural (4000K) Warm (3000K)
Razor X	No	A free-cut edition of our edge-lit strip, designed for recessing or use in the Edge profile.	6 W/m	508 lm/m	Natural (4000K) Warm (3000K)
Ion 8	Yes	Featuring our custom colour technology for light at your desired temperature.	6 W/m	600 lm/m	CCT (2700K - 6000K)
Ion 5	Yes	Slimmer cousin to the Ion 8 at just 5mm in width with a high LED per metre count.	6 W/m	600 lm/m	CCT (2700K-6000K)
Radiant Pro	Yes	A fully diffused, bendable, silicone flex strip which can be recessed into a surface.	4.8 W/m	293 lm/m	CCT (2700K - 6500K)
Polar Pro	Yes	A superior strip with a fully diffused, continuous light output and adjustable temperature.	6 W/m	600 lm/m	CCT (2700K - 6500K)
Polar X Pro	Yes	A superior free-cut strip with continuous light output and adjustable temperature.	6 W/m	600 lm/m	CCT (2700K - 6500K)
Razor X Pro	No	A recessable, edge-lit strip, providing continuous light with adjustable temperature.	6 W/m	508 lm/m	CCT (2700K - 6500K)
Flux	Yes	A fully customisable flex strip. Set any RGB colour or white temperature.	6 W/m	220 lm/m 540 lm/m	RGB CCT (2700K - 6000K)
Polar RGBCCT	Yes	A fully customisable flex strip. Set any RGB colour or white temperature.	6 W/m	220 lm/m 540 lm/m	RGB CCT (2700K - 6000K)

All our products have their own unique features. To help compare and select products quickly and easily, you will find icons on each product page.

LENGTHS AVAILABLE	CUT INTERVAL	CUT USEAGE	IP RATING	CONTROL OPTIONS	PAGE
5000mm	100mm	Cut multiple times	IP20	Titan+ / Titan Dimmable Receiver & Remote Titan Smart Kinetic	28
5000mm	100mm	Cut multiple times	IP20	Titan+ / Titan Dimmable Receiver & Remote Titan Smart Kinetic	30
5000mm	25mm	Cut once and use both ends if required	IP20	Titan+ / Titan Dimmable Receiver & Remote Titan Smart Kinetic	32
5000mm	50mm	Cut multiple times	IP20	Titan+ / Titan Dimmable Receiver & Remote Titan Smart	34
1000mm 2000mm 5000mm	50mm	Cut once and use both ends if required	IP54	Titan+ / Titan Dimmable Receiver & Remote Titan Smart Kinetic	36
3000mm 5000mm	50mm	Cut once and use both ends if required	IP54	Titan+ / Titan Dimmable Receiver & Remote Titan Smart Kinetic	38
1000mm 2000mm 5000mm	31mm	Cut multiple times	IP20	Titan+ / Titan Dimmable Receiver & Remote Titan Smart Kinetic	40
3000mm 5000mm 10,000mm	25mm	Cut once and use both ends if required	IP65	Titan+ / Titan Dimmable Receiver & Remote Titan Smart Kinetic	42
5000mm	Free-Cut	Cut multiple times	IP20	Titan+ / Titan Dimmable Receiver & Remote Titan Smart Kinetic	44
5000mm	Free-Cut	Cut multiple times	IP20	Titan+ / Titan Dimmable Receiver & Remote Titan Smart Kinetic	46
5000mm	50mm	Cut multiple times	IP20	CCT Receiver & Remote Titan CCT Smart	48
5000mm	50mm	Cut once and use both ends if required	IP20	CCT Receiver & Remote Titan CCT Smart Kinetic	50
5000mm	50mm	Cut once and use both ends if required	IP65	CCT Receiver & Remote Titan CCT Smart Kinetic	52
5000mm	Free-Cut	Cut multiple times	IP20	CCT Receiver & Remote Titan CCT Smart Kinetic	54
5000mm	Free-Cut	Cut multiple times	IP20	CCT Receiver & Remote Titan CCT Smart Kinetic	56
5000mm	Free-Cut	Cut multiple times	IP20	CCT Receiver & Remote Titan CCT Smart Kinetic	58
2000mm 3000mm 5000mm	142.5mm	Cut once and use both ends if required	IP54	RGB CCT Receiver & Remote Titan RGB CCT Smart Driver	60
2000mm 3000mm 5000mm	36mm	Cut multiple times	IP20	RGB CCT Receiver & Remote Titan RGB CCT Smart Driver	62

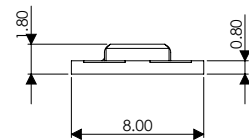
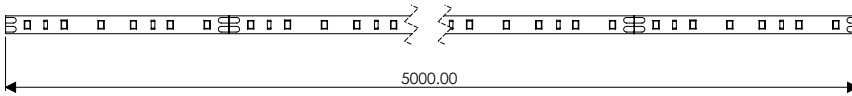
Dart

Flexible LED Strip





- A simple, highly efficient flexible strip light with superb light output
- Available in natural white making it ideal for a range of kitchen styles
- Cut marks are indicated every 100mm to enable the strip to be cut closer to the desired length
- Cut sections can be re-utilised with the joining clips and leads (sold separately)
- 3M VHB (Very High Bond) tape underneath the strip for secure installation
- Compatible with all Sensio single-colour lighting controls
- IP20 rated - protected against solid objects over 12mm (e.g. fingers)
- Compatible with the Universal profile range
- Supplied in a 5m reel



Dart Flexible LED Strip - Natural White (4000K), 60 LED/m

CODE	LENGTH	LUMENS	WATTAGE	VOLTAGE	DRIVER
SE10355N0	5000mm	440 lm/m	3.6 W/m	24V	Required
SE10355N1	5000mm	440 lm/m	3.6 W/m	24V	30W included

Cables, Connectors & Accessories

CODE	DESCRIPTION
SE101080	2500mm Driver Connection Cable
SE100050	Interconnecting Clip
SE101050	50mm Corner Connector
SE100750	1500mm Interconnecting cable
SE9009	2500mm Extension Cable

2500mm Driver Connection Cable (SE101080) is required to run the Dart (sold separately)

Primo 2

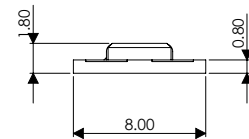
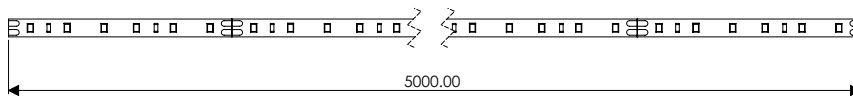
Flexible LED Strip



Registered Design Right - 6024616



- A versatile and economic flexible strip ideal for kitchen or bedroom use, under cabinets, along plinths or inside cabinets or wardrobes
- The entire reel can be used with cut marks indicated every 100mm avoiding wastage
- Cut sections can be re-utilised with the joining clips and leads (sold separately)
- Compatible with Sensio single-colour receivers to enable dimming functionality
- Supplied with 3M VHB (Very High Bond) adhesive tape backing for secure installation
- IP20 rated - protected against solid objects over 12mm (e.g. fingers)
- Supplied in a 5m reel



Primo 2 LED Flexible Strip - **Cool White (5000K), 60 LED/m**

CODE	LENGTH	LUMENS	WATTAGE	VOLTAGE	DRIVER
SE10755C0	5000mm	425 lm/m	3.6 W/m	24V	Required
SE10755C1	5000mm	425 lm/m	3.6 W/m	24V	30W included

Primo 2 LED Flexible Strip - **Warm White (3000K), 60 LED/m**

CODE	LENGTH	LUMENS	WATTAGE	VOLTAGE	DRIVER
SE10755W0	5000mm	415 lm/m	3.6 W/m	24V	Required
SE10755W1	5000mm	415 lm/m	3.6 W/m	24V	30W included

Cables, Connectors & Accessories

CODE	DESCRIPTION	RRP
SE101080	2500mm Driver Connection Cable	
SE100050	Interconnecting Clip	
SE101050	50mm Corner Connector	
SE100750	1500mm Interconnecting cable	
SE9009	2500mm Extension Cable	

2500mm Driver Connection Cable (SE101080) is required to run the Primo 2 (sold separately)

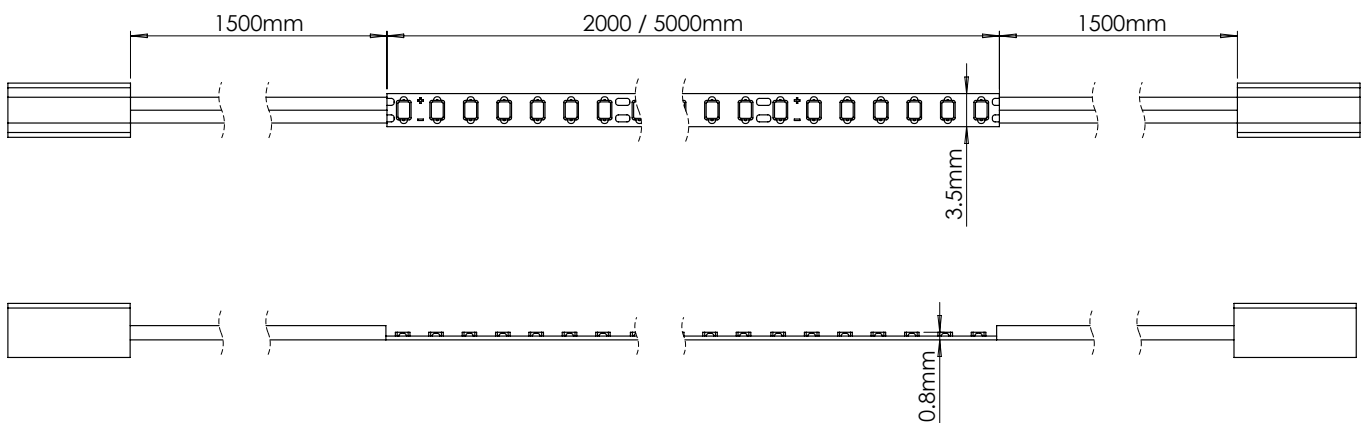
Neutron

3.5mm Nano LED Flexible Strip





- The industry's smallest flexible strip measuring at only 3.5mm in width
- Ideal choice for kitchen designs where inconspicuous lighting is essential
- Highly compacted diodes greatly reduce the appearance of dots whilst providing a powerful light output
- Cut marks every 25mm enable the strip to be cut closer to the desired length reducing potential dark spots at each end
- Driver connection cables pre-soldered at either end of the strip
- Compatible with Sensio single-colour receiver to enable dimming functionality
- 3M VHB (Very High Bond) tape underneath the strip for secure installation
- Supplied in a 5m reel
- Compatible with the Nano-Lines and Micro-Lines profile ranges



Neutron LED Flexible Strip - **Cool White (5000K), 280 LED/m**

CODE	LENGTH	LUMENS	WATTAGE	VOLTAGE	DRIVER
SE10455CO	5000mm	565 lm/m	4.8 W/m	24V	Required

Neutron LED Flexible Strip - **Natural White (4000K), 280 LED/m**

CODE	LENGTH	LUMENS	WATTAGE	VOLTAGE	DRIVER
SE10425NO	2000mm	560 lm/m	4.8 W/m	24V	Required
SE10455NO	5000mm	560 lm/m	4.8 W/m	24V	Required

Neutron LED Flexible Strip - **Warm White (3000K), 280 LED/m**

CODE	LENGTH	LUMENS	WATTAGE	VOLTAGE	DRIVER
SE10455WO	5000mm	535 lm/m	4.8 W/m	24V	Required

Cables, Connectors & Accessories

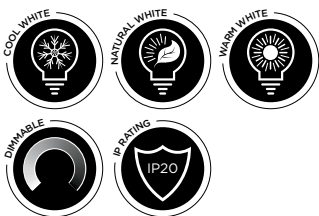
CODE	DESCRIPTION
SE9009	2500mm Extension Cable

Sigma 2

Bendable LED Flexible Strip



Registered Design Right - 6024618

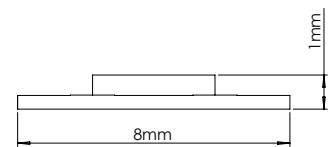
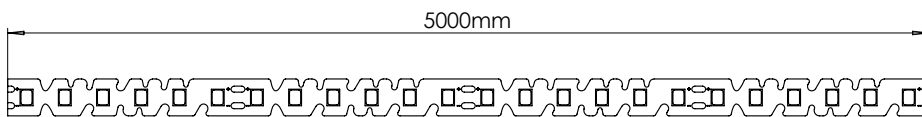


2500mm Driver
Connection Cable
(SE970850) is required
to run the Sigma 2
(sold separately)

- An innovative bendable flexible strip that handles corners with ease
- A unique PCB board cut in a 'zig-zag' shape provides superb flexibility allowing you to bend the light around a corner
- Can be bent around 90 degree corners without the need for corner cables or starting a new run of strip
- The entire reel can be used with cut marks indicated every 50mm avoiding wastage
- Cut sections can be re-utilised with the joining clips and leads (sold separately)
- Compatible with Sensio single-colour receiver to enable dimming functionality
- Supplied with 3M VHB (Very High Bond) adhesive tape backing for secure installation
- IP20 rated - protected against solid objects over 12mm (e.g. fingers)



The unique circuitboard design, developed by our team, allows the Sigma 2 to be installed around a flat corner. This provides an excellent solution for delivering illumination beneath worktops and plinths without shadow gaps.



Sigma2 LED Flexible Strip - **Cool White (5000K), 120 LED/m**

CODE	LENGTH	LUMENS	WATTAGE	VOLTAGE	DRIVER
SE10855C0	5000mm	570 lm/m	4.8 W/m	24V	Required
SE10855C1	5000mm	570 lm/m	4.8 W/m	24V	30W included

Sigma2 LED Flexible Strip - **Natural White (4000K), 120 LED/m**

CODE	LENGTH	LUMENS	WATTAGE	VOLTAGE	DRIVER
SE10855N0	5000mm	575 lm/m	4.8 W/m	24V	Required
SE10855N1	5000mm	575 lm/m	4.8 W/m	24V	30W included

Sigma2 LED Flexible Strip - **Warm White (3000K), 120 LED/m**

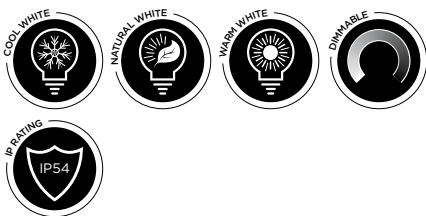
CODE	LENGTH	LUMENS	WATTAGE	VOLTAGE	DRIVER
SE10855W0	5000mm	530 lm/m	4.8 W/m	24V	Required
SE10855W1	5000mm	530 lm/m	4.8 W/m	24V	30W included

Cables, Connectors & Accessories

CODE	DESCRIPTION
SE970750	1500mm Interconnecting cable
SE970850	2500m Driver Connection Lead
SE970950	Joining Clip
SE9009	2500mm Extension Cable

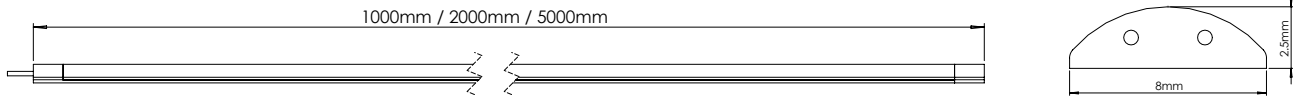
Viva 3

Flexible LED Strip



- A versatile flexible strip light which can be used in multiple areas of the kitchen or bedroom including under cabinet, plinths or inside wardrobes
- Male and female ends for simple installation
- Strip can be cut once and the remaining section used with a connector clip and driver lead if required
- Can be cut to length every 50mm
- Supplied with 3M VHB (Very High Bond) adhesive tape backing for secure installation
- IP54 rated - limited ingress of dust and protected against sprays from any angle
- Supplied in a 1m, 2m or 5m reel
- Compatible with the Universal Profile range

2500mm Driver Connection Cable (SE10314) is required to run the Viva 3 (sold separately)



Viva3 LED Flexible Strip - **Cool White (5500K), 120 LED/m**

CODE	LENGTH	LUMENS	WATTAGE	VOLTAGE	DRIVER
SE10745C0	500mm	470 lm/m	3.6 W/m	24V	Required
SE10715C0	1000mm	520 lm/m	3.6 W/m	24V	Required
SE10715C1	1000mm	520 lm/m	3.6 W/m	24V	6W included
SE10725C0	2000mm	520 lm/m	3.6 W/m	24V	Required
SE10725C1	2000mm	520 lm/m	3.6 W/m	24V	15W included
SE10655C0	5000mm	520 lm/m	3.6 W/m	24V	Required
SE10655C1	5000mm	520 lm/m	3.6 W/m	24V	30W included

Viva3 LED Flexible Strip - **Natural White (4000K), 120 LED/m**

CODE	LENGTH	LUMENS	WATTAGE	VOLTAGE	DRIVER
SE10715N0	1000mm	505 lm/m	3.6 W/m	24V	Required
SE10715N1	1000mm	505 lm/m	3.6 W/m	24V	6W included
SE10725N0	2000mm	505 lm/m	3.6 W/m	24V	Required
SE10725N1	2000mm	505 lm/m	3.6 W/m	24V	15W included
SE10655N0	5000mm	505 lm/m	3.6 W/m	24V	Required
SE10655N1	5000mm	505 lm/m	3.6 W/m	24V	30W included

Viva3 LED Flexible Strip - **Warm White (3000K), 120 LED/m**

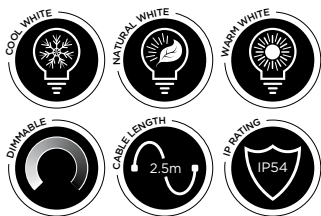
CODE	LENGTH	LUMENS	WATTAGE	VOLTAGE	DRIVER
SE10745W0	500mm	470 lm/m	3.6 W/m	24V	Required
SE10715W0	1000mm	470 lm/m	3.6 W/m	24V	Required
SE10715W1	1000mm	470 lm/m	3.6 W/m	24V	6W included
SE10725W0	2000mm	470 lm/m	3.6 W/m	24V	Required
SE10725W1	2000mm	470 lm/m	3.6 W/m	24V	15W included
SE10655W0	5000mm	470 lm/m	3.6 W/m	24V	Required
SE10655W1	5000mm	470 lm/m	3.6 W/m	24V	30W included

Cables, Connectors & Accessories

CODE	DESCRIPTION
SE10314	2500mm Driver Connection Cable
SE10317	1500mm Interconnecting Lead
SE10316	50mm Corner Connector
SE10318MCC	Mini Cut Connector Clip
SE9009	2500mm Extension Cable

Radiant

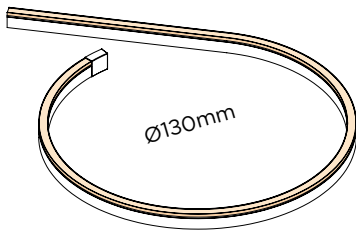
Diffused Flexible LED Strip



The indicated IP54 rating is certified to the silicone coated portion of this strip. Consult a qualified electrician to ensure correct installation near water outlets.

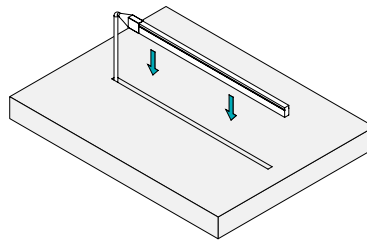
- An entirely diffused, bendable, silicone flexible strip light ideal for application across the kitchen or bedroom
- Discreet, slimline 4mm width
- Driver connection cables pre-soldered at either end of the strip so two lengths can be used from the same reel if required
- Cut marks are indicated every 50mm on the back of the strip
- Ideal for a flush, recessed finish with a simple push-fit application
- Can be surface mounted with the use of the mounting brackets
- Supplied end caps provide a clean and IP rated finish to cut ends
- Able to navigate around curves on island units and cabinetry
- Compatible with Sensio dimmable receivers

Flexible fit



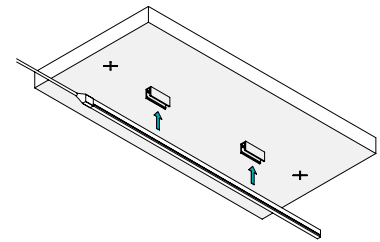
The Radiant is flexible to a radius of 65mm or greater - Ideal for curving round an island unit

Recessed installation

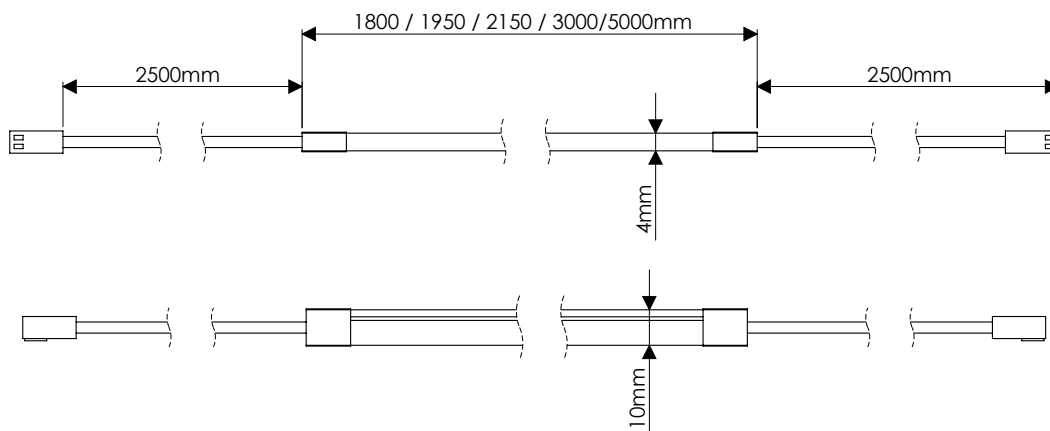


Install with a push-fit application into a pre-routed channel for a seamless finish

Surface mounted



Utilise the mounting brackets to secure along a surface



Radiant LED Flexible Strip - Cool White (5500K), 160 LED/m

CODE	LENGTH	LUMENS	WATTAGE	VOLTAGE	DRIVER
SE10555C0	5000mm	305 lm/m	4.8 W/m	24V	Required
SE10555C1	5000mm	305 lm/m	4.8 W/m	24V	30W included

Radiant LED Flexible Strip - Natural White (4000K), 160 LED/m

CODE	LENGTH	LUMENS	WATTAGE	VOLTAGE	DRIVER
SE10795N0	1800mm	293 lm/m	4.8 W/m	24V	Required
SE10595N0	1950mm	293 lm/m	4.8 W/m	24V	Required
SE10695N0	2150mm	293 lm/m	4.8 W/m	24V	Required
SE105105N0	3000mm	293 lm/m	4.8 W/m	24V	Required
SE105105N1	3000mm	293 lm/m	4.8 W/m	24V	30W included
SE10555N0	5000mm	293 lm/m	4.8 W/m	24V	Required
SE10555N1	5000mm	293 lm/m	4.8 W/m	24V	30W included

Radiant LED Flexible Strip - Warm White (3000K), 160 LED/m

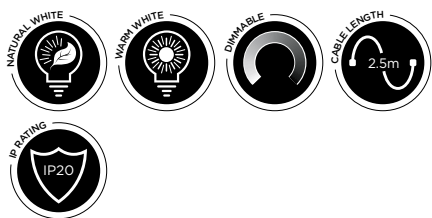
CODE	LENGTH	LUMENS	WATTAGE	VOLTAGE	DRIVER
SE10555W0	5000mm	285 lm/m	4.8 W/m	24V	Required
SE10555W1	5000mm	285 lm/m	4.8 W/m	24V	30W included

Cables, Connectors & Accessories

CODE	DESCRIPTION
SE900940	Pack of 5 Mounting Brackets

Razor

Diffused Edge-lit LED Strip

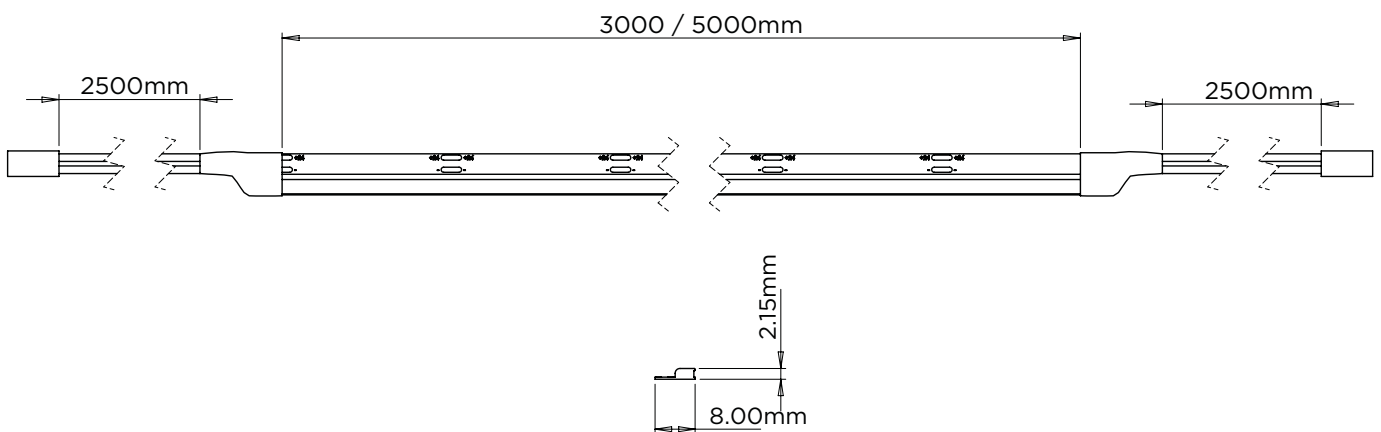


- A super-slim evolution of our fully diffused Polar COB strip.
- Thin 2mm depth creates a discreet appearance while providing superb light output
- Excellent thermal conduction resulting in a cool running strip
- 24V allows long runs of light without any light fade
- Supplied with pre-soldered, driver connection cables at both ends
- Can be cut to length (at 31mm intervals) with both ends of the strip being utilised
- Supplied with VHB tape pre-applied



A thin bead of bright, seamless illumination

Recessed in a larder



Razor Edge Lit - **Natural White**

CODE	LENGTH	VHB TAPE	LUMENS	WATTAGE	VOLTAGE	DRIVER
SE20095N0	5000mm	Yes	415 lm/m	4.8 W/m	24V	Required
SE20099N0	3000mm	Yes	415 lm/m	4.8 W/m	24V	Required

Razor Edge Lit - **Warm White**

CODE	LENGTH	VHB TAPE	LUMENS	WATTAGE	VOLTAGE	DRIVER
SE20095W0	5000mm	Yes	412 lm/m	4.8 W/m	24V	Required
SE20099W0	3000mm	Yes	412 lm/m	4.8 W/m	24V	Required

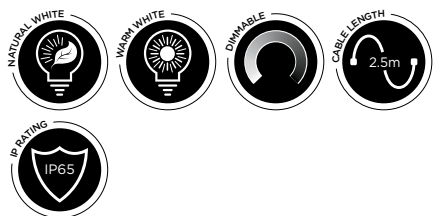
Cables, Connectors & Accessories

CODE	DESCRIPTION
SE900970	2500mm Razor Driver Connection Cable (L&R)
SE901950	50mm Razor Corner Connector
SE902950	1500mm Razor Interconnecting Cable
SE903950	Razor Joining Clip

Delta

Free-Cut Recessed LED Strip

NEW



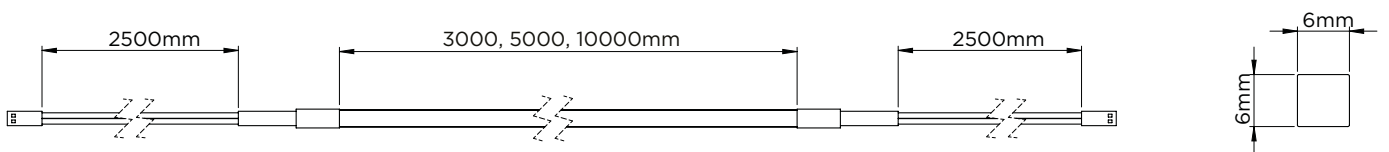
The indicated IP65 rating is certified to the silicone coated portion of this strip. Consult a qualified electrician to ensure correct installation near water outlets.

- Can be recessed with a simple push-fit application
- Able to bend around curves on the taped edge
- Cut marks every 25mm on the back of the strip
- Pre-soldered 2500mm driver connection cables with 2-pin connectors at each end of the strip
- Supplied in a 3m, 5m & 10m reel
- VHB (Very High Bond) adhesive tape backing for secure installation
- Available in Natural White and Warm white
- IP Rating: IP20



Unlit, the Delta appears as discreet as a pure white bead of silicone.

The Delta can also be easily recessed - a great solution for convenience lighting inside larders where a wider strip of illumination is desired.



Natural White - 4000K | 320 LED/m

CODE	LENGTH	LUMENS	WATTAGE	VOLTAGE
SE040024NDNO	3000mm	600lm/m	6W/m	24V
SE040014NDNO	5000mm	600lm/m	6W/m	24V
SE040034NDNO	10,000mm	600lm/m	6W/m	24V

Warm White - 3000K | 320 LED/m

CODE	LENGTH	LUMENS	WATTAGE	VOLTAGE
SE040024NDWO	3000mm	600lm/m	6W/m	24V
SE040014NDWO	5000mm	600lm/m	6W/m	24V
SE040034NDWO	10,000mm	600lm/m	6W/m	24V

Polar X

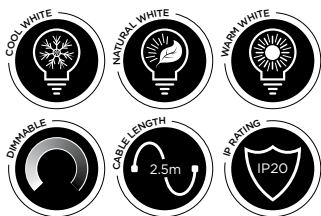
Free-Cut Flexible LED Strip

NEW



Warm white

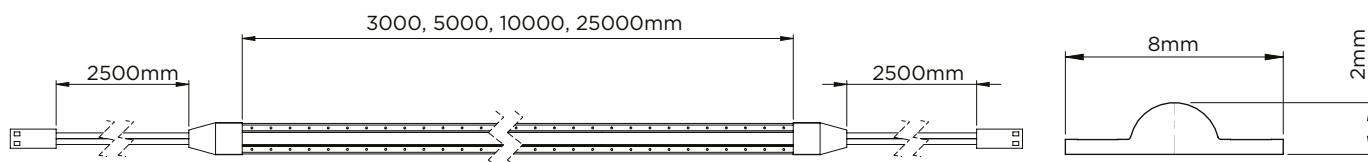
Natural white



- Chip on Board (COB) technology provides superior light output
- Can be cut to any desired length
- Excellent thermal conduction resulting in a cool running strip
- 24V allows long runs of light without any light fade
- Compatible with Sensio single-colour receiver to enable dimming functionality
- Pre-soldered 2500mm driver connection cables with 2-pin connectors at each end of the strip
- VHB (Very High Bond) adhesive tape backing for secure installation
- Supplied in a 3m, 5m, 10m & 25m reel
- Available in Natural White and Warm White
- IP Rating: IP20



Cut the Polar X anywhere to get the perfect trim for your installation.



Cool White - **5000K** | **512 LED/m**

CODE	LENGTH	LUMENS	WATTAGE	VOLTAGE
SE20055CO	5000mm	600lm/m	6W/m	24V

Natural White - **4000K** | **512 LED/m**

CODE	LENGTH	LUMENS	WATTAGE	VOLTAGE
SE040019NDNO	3000mm	600lm/m	6W/m	24V
SE20055NO	5000mm	600lm/m	6W/m	24V
SE040039NDNO	10,000mm	600lm/m	6W/m	24V
SE040049NDNO	25,000mm	600lm/m	6W/m	24V

Warm White - **3000K** | **512 LED/m**

CODE	LENGTH	LUMENS	WATTAGE	VOLTAGE
SE040019NDWO	3000mm	600lm/m	6W/m	24V
SE20055WO	5000mm	600lm/m	6W/m	24V
SE040039NDWO	10,000mm	600lm/m	6W/m	24V
SE040049NDWO	25,000mm	600lm/m	6W/m	24V

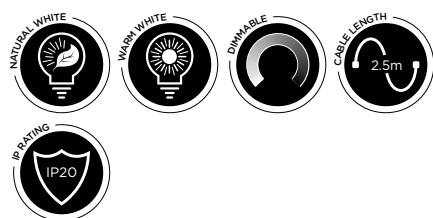
Accessories - **Compatible with the existing range of Polar cables & accessories**

CODE	DESCRIPTION
SE105790	1500mm Polar Interconnecting Lead
SE105990	50mm Polar Corner Connector
SE103990	2500mm Polar Driver Connection Lead
SE9009	2500mm Extension Cable
SE112990	Polar Joining Clip

Razor X

Free-Cut Recessed LED Strip

NEW



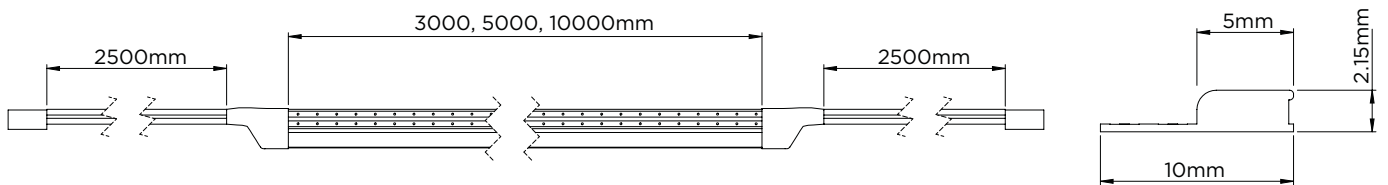
- Can be cut to any desired length
- Pre-soldered driver connection cables at both ends
- Recessed installation can easily be made with a simple saw cut or router
- Bendable to flow around corner recesses
- No VHB adhesive tape for easy push-fit installation
- Available in Natural White and Warm White
- IP Rating: IP20
- Accessories available to utilise all cut lengths
- Pair with Edge profile, designed specifically for the Razor X strip



Cut the Razor X at any point to achieve the perfect fit.



Push-fit in a routed channel



Natural White - 4000K | 512 LED/m

CODE	VHB	LENGTH	LUMENS	WATTAGE	VOLTAGE
SE21094N0	No	3000mm	200lm/m	6W/m	24V
SE21095N0	No	5000mm	200lm/m	6W/m	24V
SE21096N0	No	10,000mm	200lm/m	6W/m	24V

Warm White - 3000K | 512 LED/m

CODE	VHB	LENGTH	LUMENS	WATTAGE	VOLTAGE
SE21094W0	No	3000mm	200lm/m	6W/m	24V
SE21095W0	No	5000mm	200lm/m	6W/m	24V
SE21096W0	No	10,000mm	200lm/m	6W/m	24V

Accessories

CODE	ACCESSORY
SE900980	2500mm Razor X Driver Connection Cable Kit (Left&Right)
SE210019A0	1500mm Razor X Interconnecting Cable

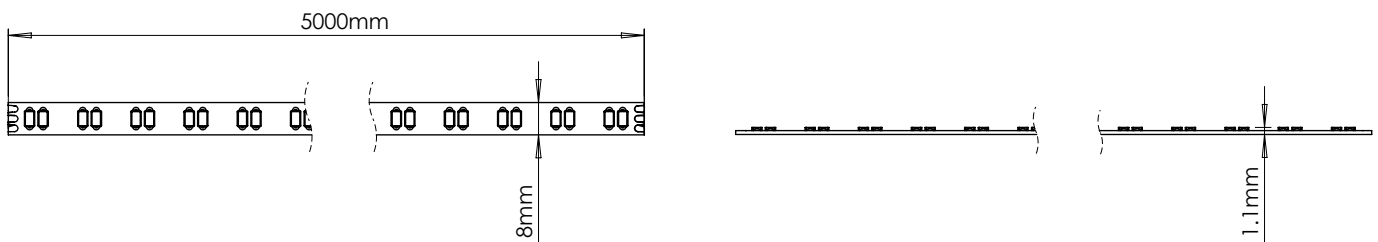
Ion 8

CCT Flexible LED Strip





- Over four times the number of LEDs per metre than it's predecessor, Ion 8 greatly reduces the appearance of visible LEDs providing a premium light output
- Correlated Colour Temperature (CCT) allows the perfect light temperature selection and transition from warm to cool white temperatures
- Can be cut to length (every 50mm) and the whole reel can be utilised with the Ion Joining Clips (sold separately)
- Compatible with Sensio CCT Receiver and Universal Remote Control or the Titan Smart Kinetic Driver to control, zone and dim the lights
- VHB (Very High Bond) adhesive tape backing for secure installation
- Supplied in a 5m reel
- Compatible with the Universal Profile range



Ion 8 CCT LED Flexible Strip - (2700K-6000K), 252 LED/m

CODE	LENGTH	LUMENS	WATTAGE	VOLTAGE
SE10855P0	5000mm	605 lm/m	6W/m	24V
SE10855PS1	5000mm	605 lm/m	6W/m	24V
SE10855P1	5000mm	605 lm/m	6W/m	24V

*Smart Kit - Includes 30W Titan Smart & 2500mm driver connection cable

** Remote Kit - Includes 30W Titan Driver, CCT Receiver, Remote Control & 2500mm driver connection cable

Cables, Connectors & Accessories

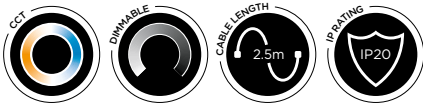
CODE	DESCRIPTION
SE111990	Ion 8 Joining Clip
SE106990	50mm Ion 8 Corner Connector
SE106790	1500mm Ion 8 Interconnecting Lead
SE113990	2500mm Ion 8 Driver Connection Cable
SE770390	Universal Remote Control
SE771990	CCT Receiver
SE90010	2500mm CCT Extension Lead

2500mm Driver Connection Cable (SE113990) is required to run the Ion 8 (sold separately)

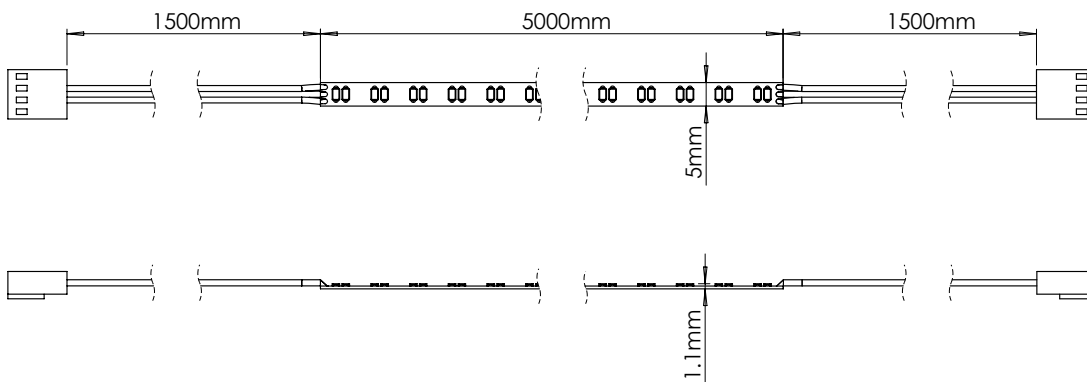
Ion 5

CCT Flexible LED Strip





- Cousin to the wider Ion 8, Ion 5 benefits from a slimmer width at just 5mm
- Correlated Colour Temperature (CCT) allows the perfect light temperature selection and transition from warm to cool white temperatures
- Supplied with pre-soldered, 1500mm driver connection cables with a 4-pin connector at each end of the strip.
- Can be cut to length (at 50mm intervals) with both ends of the strip being utilised
- Compatible with Sensio CCT Receiver and Universal Remote Control or the Titan Smart Kinetic Driver to control, zone and dim the lights
- VHB (Very High Bond) adhesive tape backing for secure installation
- Supplied in a 5m reel
- Compatible with both the Universal and Micro-Lines Profile ranges



Ion 5 CCT LED Flexible Strip - (2700K-6000K), 252 LED/m

CODE	LENGTH	LUMENS	WATTAGE	VOLTAGE	DRIVER
SE10755P0	5000mm	600 lm/m	6 W/m	24V	Required
SE10755PS1	5000mm	600 lm/m	6 W/m	24V	*Smart Kit
SE10755P1	5000mm	600 lm/m	6 W/m	24V	** Remote Kit

*Smart Kit - Includes 30W Titan Smart

** Remote Kit - Includes 30W Titan Driver, CCT Receiver & Remote Control

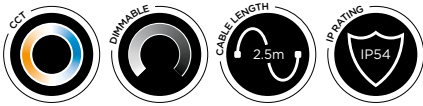
Cables, Connectors & Accessories

CODE	DESCRIPTION
SE770390	Universal Remote Control
SE771990	CCT Receiver
SE90010	2500mm CCT Extension Lead

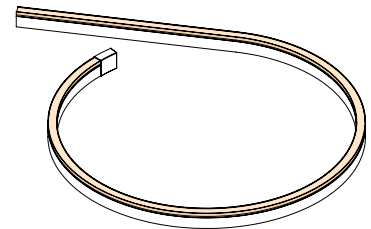
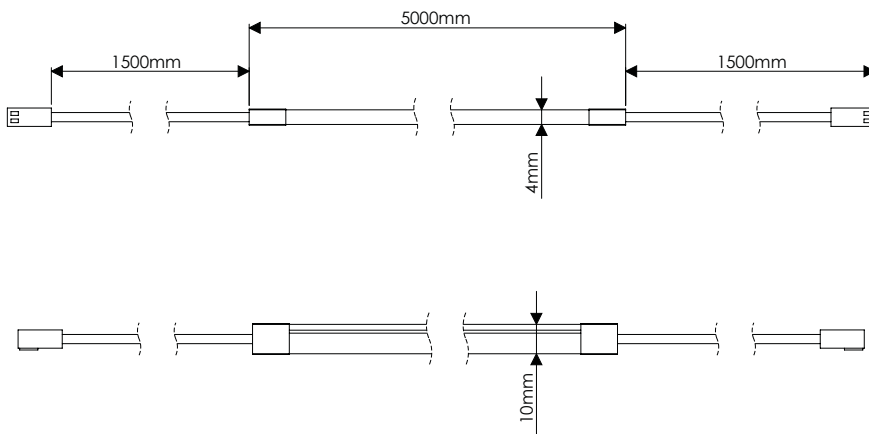
Radiant Pro

CCT Diffused Flexible LED Strip





- A diffused, colour temperature changing and bendable, silicone flexible strip light ideal for application across the kitchen or bedroom
- No visible LED dots
- Discreet, slimline 4mm width
- Driver connection cables pre-soldered at either end of the strip so two lengths can be used from the same reel if required
- Cut marks are indicated every 50mm on the back of the strip
- Ideal for a flush, recessed finish with a simple push-fit application
- Can be surface mounted with the use of the mounting brackets. (6 supplied with 3000mm and 10 supplied with 5000mm reels)
- Supplied end caps provide a clean and IP rated finish to cut ends
- Able to navigate around curves on island units and cabinetry
- Compatible with Sensio CCT Receiver and Universal Remote Control or the Titan Smart Kinetic Driver to control, zone and dim the lights
- Supplied in a 5m reel (and 3m reel - natural white only)



The Radiant is flexible to a radius of 65mm or greater - Ideal for curving round an island unit

Radiant Pro LED Flexible Strip - (2700K-6000K), 160 LED/m

CODE	LENGTH	LUMENS	WATTAGE	VOLTAGE	DRIVER
SE10555P0	5000mm	285 lm/m	4.8 W/m	24V	Required

Cables, Connectors & Accessories

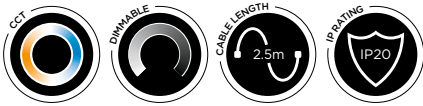
CODE	DESCRIPTION
SE900940	Pack of 5 Mounting Brackets
SE90010	2500mm CCT Extension Lead

The indicated IP54 rating is certified to the silicone coated portion of this strip. Consult a qualified electrician to ensure correct installation near water outlets.

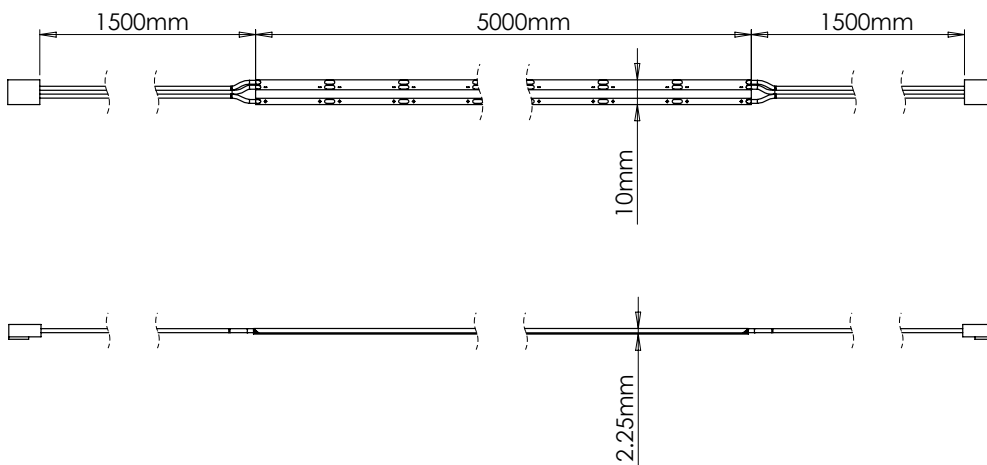
Polar Pro

CCT COB LED Flexible Strip





- A superior, colour temperature changing, flexible strip
- Correlated Colour Temperature (CCT) allows the perfect light temperature selection and transition from warm to cool white temperatures
- Chip on Board (COB) technology provides superior light output
- Excellent thermal conduction resulting in a cool running strip
- 24V allows long runs of light without any light fade
- Compatible with Sensio CCT Receiver and Universal Remote Control or the Titan Smart Kinetic Driver to control, zone and dim the lights
- Supplied with pre-soldered, 2500mm driver connection cables with 4-pin connectors at each end of the strip
- Can be cut to length (at 31mm intervals) with both ends of the strip being utilised
- VHB (Very High Bond) adhesive tape backing for secure installation
- Compatible with the Universal Profile range



Polar Pro CCT COB LED Flexible Strip - (2700K-6000K), 512 LED/m

CODE	LENGTH	LUMENS	WATTAGE	VOLTAGE	DRIVER
SE20055PO	5000mm	600 lm/m	6 W/m	24V	Required

Cables, Connectors & Accessories

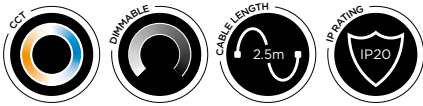
CODE	DESCRIPTION
SE900890	2500mm Driver Connection Lead
SE901790	1500mm Interconnecting Lead
SE902990	50mm Corner Connector
SE903990	Joining Clip
SE90010	2500mm CCT Extension Lead
SE770390	Universal Remote Control
SE771990	CCT Receiver

Polar X Pro

Free-Cut Flexible CCT LED Strip

NEW





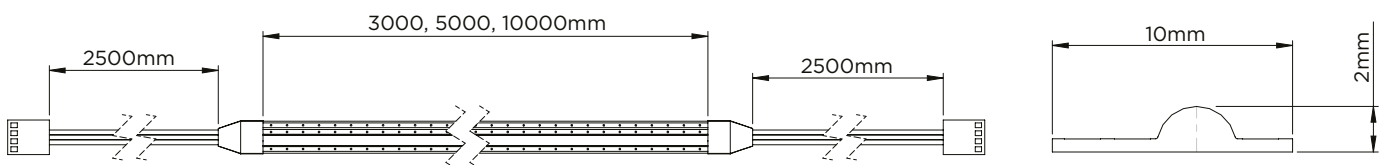
- CCT - Correlated Colour Temperature
- Chip on Board (COB) technology provides superior light output
- Can be cut to any desired length
- Excellent thermal conduction resulting in a cool running strip
- 24V allows long runs of light without any light fade
- Compatible with Sensio single-colour receiver to enable dimming functionality
- Pre-soldered 2500mm driver connection cables with 2-pin connectors at each end of the strip
- VHB (Very High Bond) adhesive tape backing for secure installation
- Supplied in a 3m, 5m, 10m
- IP Rating: IP20



Cool white



Natural white



Polar X Pro CCT - 2700 - 6500K | 512 LED/m

CODE	LENGTH	LUMENS	WATTAGE	VOLTAGE
SE040009NDPO	3000mm	580lm/m	6W/m	24V
SE20055PO	5000mm	580lm/m	6W/m	24V
SE040039NDPO	10,000mm	580lm/m	6W/m	24V

Accessories - Compatible with the existing range of Polar Pro cables & accessories

CODE	DESCRIPTION
SE900890	2500mm Polar Pro Driver Connection Lead
SE901790	1500mm Polar Pro Interconnecting Lead
SE902990	50mm Polar Pro Corner Connector
SE903990	Polar Pro Joining Clip
SE90010	2500mm CCT Extension Lead

Razor X Pro

Free-Cut Recessed CCT LED Strip

NEW

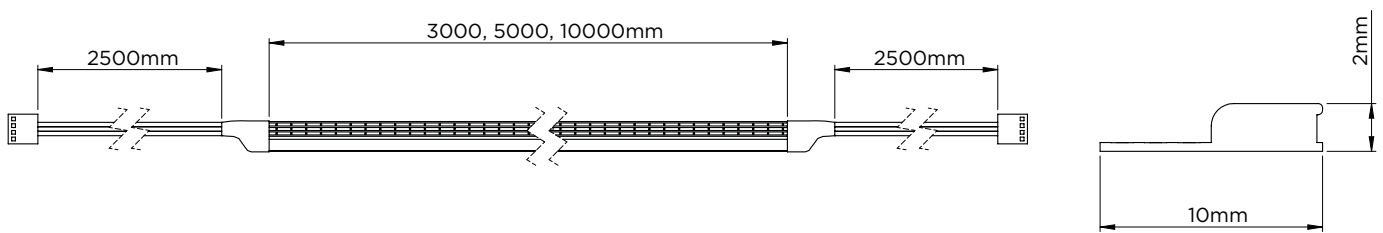


- CCT - Correlated Colour Temperature
- Can be cut to any desired length
- Pre-soldered driver connection cables at both ends
- Recessed installation can easily be made with a simple saw cut or router
- Bendable to flow around corner recesses
- No VHB adhesive tape for easy push-fit installation
- IP Rating: IP20
- Accessories available to utilise all cut lengths
- Pair with Edge profile, designed specifically for the Razor X Pro strip



Both the Razor X and Razor X Pro install harmoniously with the new Edge profile.

Cut the Razor X Pro at any point to achieve the perfect fit.



CCT - 2700-6000K | 512 LED/m

CODE	LENGTH	LUMENS	WATTAGE	VOLTAGE
SE21094P0	3000mm	200lm/m	6W/m	24V
SE21095P0	5000mm	200lm/m	6W/m	24V
SE21096P0	10,000mm	200lm/m	6W/m	24V

Accessories

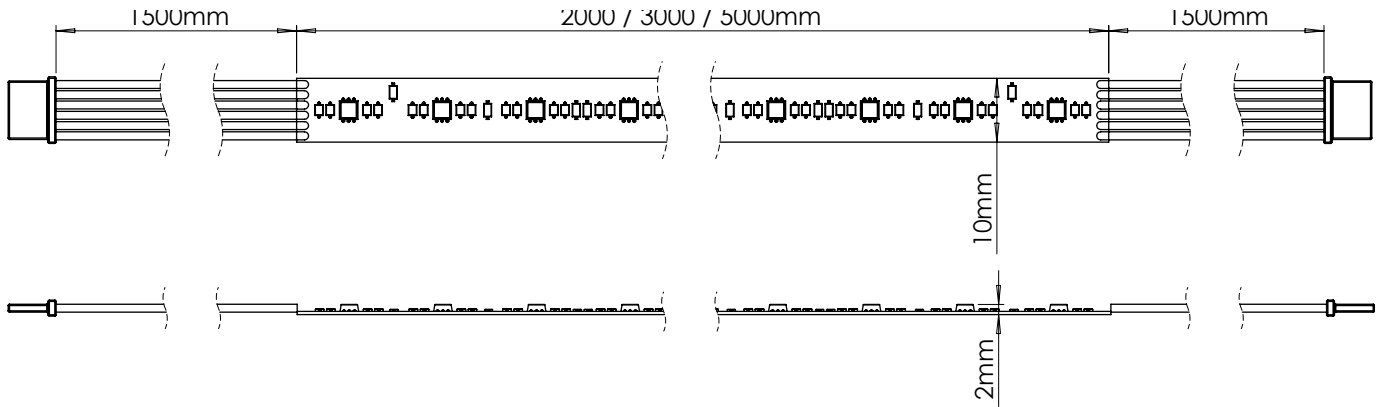
CODE	ACCESSORY
SE900990	Razor X Pro Driver Connection Cable Kit (Left&Right)
SE210029A0	Razor X Pro 1500mm Interconnecting Cable

Flux

RGB CCT LED Flexible Strip



- A fully customisable, flexible strip light to suit any style, mood or atmosphere
- A combination of RGB and CCT provides the ultimate colour changing solution enabling colours to be mixed and matched to create millions of combinations
- Features 24 pre-set RGB colours and 11 shades of white (CCT)
- Colours can be set individually or RGB colours can be mixed with the CCT colours to create a multitude of different shades
- Each colour can also be dimmed to achieve further customisation
- A high number of LEDs per metre significantly reduces the appearance of individual LEDs
- Compatible with Sensio CCT Receiver and Universal Remote Control or the Titan RGB CCT Smart Driver to control, zone and dim the lights*
- Cut marks are indicated every 142.5mm on the back of the strip
- VHB (Very High Bond) adhesive tape backing for secure installation
- 5m reel supplied with driver lead attached to both ends (2m reel with lead at one end only)
- Compatible with the Universal Profile range



Mode CCT

Mode RGB



Set to one of multiple colour options with a full range of RGB and cool to warm white

Flux RGB CCT LED Flexible Strip - (2700K-6000K + RGB), 245 LED/m

CODE	LENGTH	LUMENS (RGB)	LUMENS (CCT)	WATTAGE	VOLTAGE	DRIVER
SE10625R0	2000mm	220 lm/m	340 lm/m	6 W/m	24V	Required
SE106105R0	3000mm	220 lm/m	340 lm/m	6 W/m	24V	Required
SE10655R0	5000mm	220 lm/m	340 lm/m	6 W/m	24V	Required
SE10655R1*	5000mm	220 lm/m	340 lm/m	6 W/m	24V	30W included

*Kit includes Flux Flexible Strip, RGB CCT Receiver, Universal Remote Control & 30W Driver

Cables, Connectors & Accessories

CODE	DESCRIPTION
SE770390	Universal Remote Control
SE770990	RGB CCT Receiver
SE405595	30W RGB CCT Smart Driver
SE991990	RGB CCT Port Expander

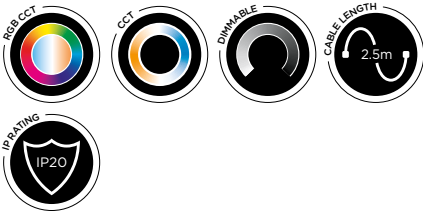
The indicated IP54 rating is certified to the silicone coated portion of this strip. Consult a qualified electrician to ensure correct installation near water outlets.

Polar RGB CCT

Flexible RGB CCT LED Strip

NEW

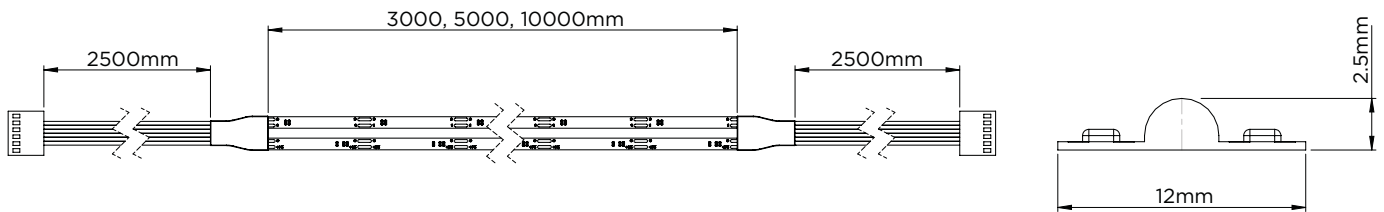




- A combination of RGB and CCT
- Can be dimmed to achieve further customisation
- High number of LED's per meter (840) offering a diffused look
- Chip on board (COB) technology
- 24V allows long runs of light without any light fade
- High colour rendering index >90
- VHB (Very High Bond) adhesive tape backing for secure installation
- Pre-soldered driver connection cables at both ends
- Cut marks every 36mm
- IP Rating: IP20



2 colour modes deliver a choice of RGB or CCT adjustable white



RGB CCT - Full colour RGB and white | 840 LED/m

CODE	LENGTH	LUMENS	WATTAGE	VOLTAGE
SE040019NDRO	3000mm	3000mm	6W/m	24V
SE040029NDRO	5000mm	5000mm	6W/m	24V
SE040039NDRO	10,000mm	10,000mm	6W/m	24V

Cables, connections & accessories

CODE	DESCRIPTION
SE210039A0	1500mm Polar RGB CCT Interconnecting Cable
SE901090	250mm Polar RGB CCT Driver Connection Cable
SE901190	Polar RGB CCT Joining Clip
SE901290	50mm Polar RGB CCT Corner Connector

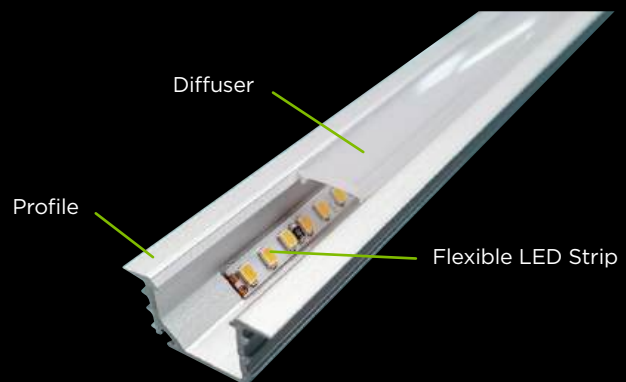
PROFILES & INTEGRATED SOLUTIONS

- Profiles coupled with flexible strips offer a non-intrusive way of lighting the kitchen while enhancing the overall design
- Perfect for creating a flush, sleek look
- Creates fully diffused expanses of light without visible light diodes
- Simple to use and install, the versatility of flexible strip lighting makes it suited to a range of applications across the kitchen and using one of our Profiles increases the possibilities even further.



Profiles offer an extended range of options for flexible strip installation

All of our profiles feature a diffusing cover to remove the visibility of LED dots and provide a soft, even spread of light.



Nano

Blaze, Gamma & Ray (to fit 3.5mm flexible strips)

Consisting of a recess mounted option and two surface mounted options, the Nano range has been cleverly designed to fit a 3.5mm wide flexible strip mounted on a 45° angle. This not only achieves a 100% diffused appearance with no visible diodes, it's also the key to the innovative corner connectors available for each profile, which enable the strip to pass through to achieve fully illuminated corners.

Micro

Vector, Accent, Adapt & Glow (to fit 5mm flexible strips)

Consisting of four profiles purposely designed for flexible strips 5mm in width or below, the Micro range is a diverse range of slim profiles intended to illuminate every area of the kitchen. Innovative features appear throughout the range including living hinges, illuminated corner connectors and versatile mounting brackets and each profile has been carefully designed to achieve a 100% fully diffused appearance with no visible diodes.

Universal

Adorn, Contour, Linia, Fino & Beam (to fit all flexible strips up to 10mm)

A universal range of profiles designed to fit any of the Sensio range of flexible strips. Includes recessed, surface mounted and angled installation as well as a profile specially designed to illuminate the handleless channel under a worktop.

	PROFILE	STYLE	TYPE	APPLICATION	COMPATIBLE FLEX STRIPS
	Ray	Nano	Angled	Wardrobe / cupboard / under cabinet / shelving	Neutron
	Gamma	Nano	Surface mounted	Under cabinet / in-cabinet / under shelving	Neutron
	Blaze	Nano	Recessed	Under cabinet / in-cabinet / under shelving	Neutron
	Accent	Micro	Plinth	Plinth	Ion 5 or Neutron
	Adapt	Micro	Corner	Under cabinet / drawer / in-cabinet	Ion 5 or Neutron
	Glow	Micro	Shelf clip	Internal glass shelf	Ion5 or Neutron
	Vector	Micro	Slim	Handleless channel / under worktop	Ion 5 or Neutron
	Adorn	Universal	Shelf clip	Solid internal shelf	Compatible with all flexible strips
	Beam	Universal	Corner	Under cabinet / in-cabinet / wardrobe	Compatible with all flexible strips
	Fino	Universal	Surface mounted	Under cabinet / in-cabinet / wardrobe	Compatible with all flexible strips
	Linia	Universal	Recessed	Under cabinet / in-cabinet / wardrobe	Compatible with all flexible strips
	Contour	Universal	Handleless	Handleless channel / under worktop	Compatible with all flexible strips
	Edge	Use with Razor X strip	Handleless	Handleless channel / plinth	Razor X or Razor X Pro
	Zella	Universal	Recessed	Under cabinet / in-cabinet / wardrobe	Compatible with all flexible strips
	Manta	Integrated	Handleless	Cabinet base / front of shelf	Pre-installed LED strip
	Flex	Integrated	Surface mount and recessed	Acoustic panel, under cabinet, plinth	Pre-installed Polar X Pro free-cut COB LED strip
	Verona	Integrated	Cabinet Base panel	Under cabinet and in-cabinet	-
	Expanse	Integrated	Cabinet Back panel	In-cabinet	-

Gamma

Slim Surface Mounted Profile

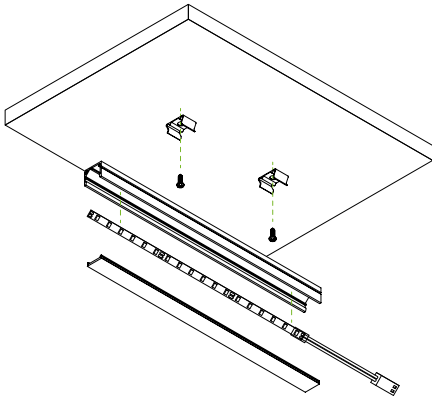


Registered Design Right - 6077037

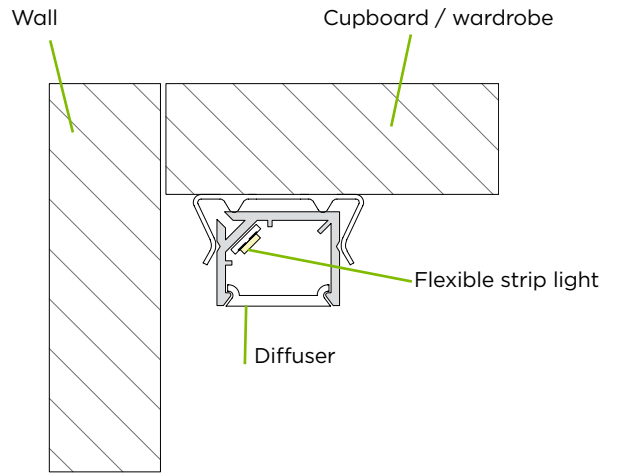


- Designed specifically for the 3.5mm wide Neutron flexible strip - part of the Nano-Lines range of super slim lights and profiles
- An incredibly thin profile that produces an even spread of light with no visible LED points from the flexible strip
- Perfect for use under cabinets, in larders or wardrobes
- Features an internal angled flexible strip mounting platform enabling the strip to extend around corners when paired with the corner connectors resulting in a fully illuminated light circuit with no dark corners
- Simple push-fit installation with brackets
- Can be cut to size
- Supplied with one set of end caps (additional end caps sold separately)
- Supplied with VHB (Very High Bond) adhesive tape backing for secure installation

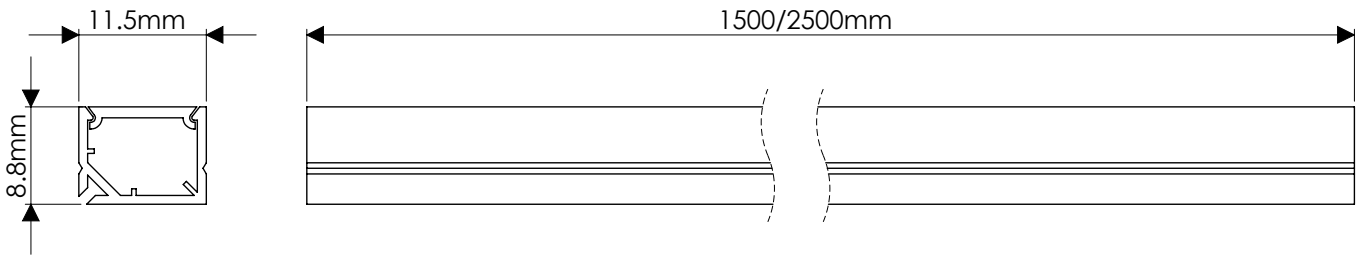
Application



Stick the flexible LED strip inside the profile with the pre-applied 3M VHB tape. Slide on the cover and slot in the end caps. Push the profile into the the mounting brackets to hold in place.



The flexible strip sits along the back corner of the profile, emitting light downwards through the diffuser.



Compatible with Neutron Flexible Strip

Gamma - Slim Surface Mounted Profile

CODE	LENGTH	DESCRIPTION
SE183720	1500mm	Profile, Mounting Bracket & End Caps (L&R)
SE183820	2500mm	Profile, Mounting Bracket & End Caps (L&R)

Cables, Connectors & Accessories

CODE	DESCRIPTION
SE989950	Gamma Internal Corner Connector
SE988950	Gamma External Corner Connector
SE987950	Gamma End Cap Kit (L&R)



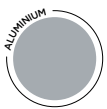
SE989950 Internal Corner Connector	SE988950 External Corner Connector	SE987950 End Cap Kit
---	---	----------------------------

Blaze

Slim Recessed Profile

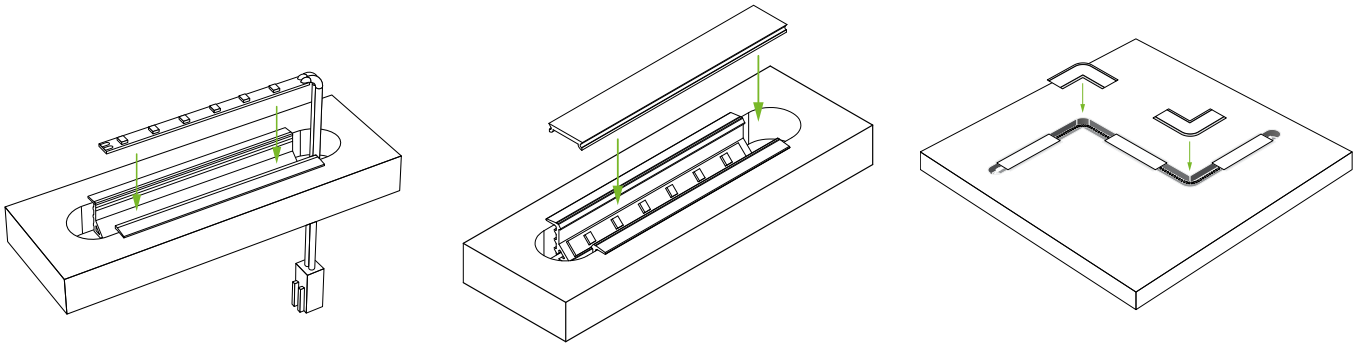


Registered Design Right - 6077034



- Designed specifically for the 3.5mm wide Neutron flexible strip - part of the Nano-Lines range of super slim lights and profiles
- An incredibly thin, diffused profile that produces an even spread of light with no visible LED points from the flexible strip
- Suitable for a range of applications in the kitchen and bedroom including wardrobes and cupboards
- The flexible strip mounting platform is angled to enable the flexible strip to extend round corners when paired with the Blaze corner connectors
- Fully diffused corner connectors result in a fully illuminated light circuit with no dark corners
- Simple push-fit installation
- Wide wings cover any router imperfections
- Can be cut to size
- Supplied with one set of end caps (additional end caps sold separately)

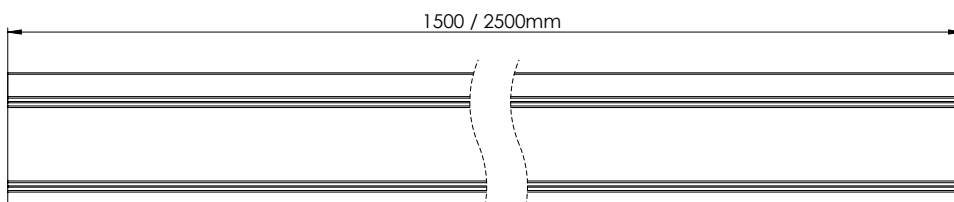
Application



The Blaze profile sits into a pre-routed channel, with the strip's power cable concealed by feeding through behind the surface.

Simply click the diffused cover into place, creating a seamless line of light along the surface.

Use the additional corner accessories to create unique channel paths and guide the light around corners.



Compatible with Neutron Flexible Strip

Blaze - Slim Recessed Profile

CODE	LENGTH	DESCRIPTION
SE182720	1500mm	Profile & End Caps (L&R)
SE182820	2500mm	Profile & End Caps (L&R)

Cables, Connectors & Accessories

CODE	DESCRIPTION
SE986950	Blaze Internal Corner Connector
SE985950	Blaze External Corner Connector
SE984950	Blaze End Cap Kit (L&R)



SE986950
Internal
Corner
Connector

SE985950
External
Corner
Connector

SE984950
End Cap
Kit

Accent

Plinth Profile

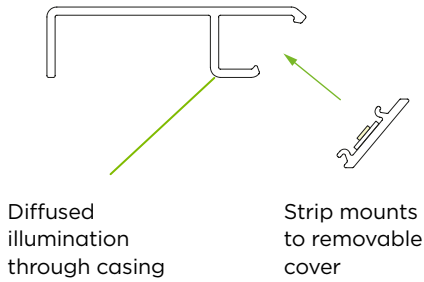
Registered Design Right - 6077029



- Designed for mounting flexible strip lighting along plinth boards
- Features an internal angled flexible strip mounting platform enabling the strip to extend around corners when paired with the corner connectors resulting in a fully illuminated light circuit with no dark corners
- The angled flexible strip mounting platform ensures the diffusion of individual LED points, as well being removable for ease of installation and serviceability
- Part of the Micro-Lines range exclusively designed for flexible strips 5mm in width or below
- Fits 16-18mm plinth boards
- Can be cut to size
- Supplied with 2 end caps (additional end caps sold separately)

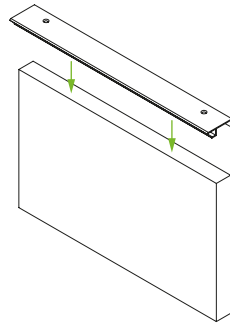
Application

1. Plinth top design



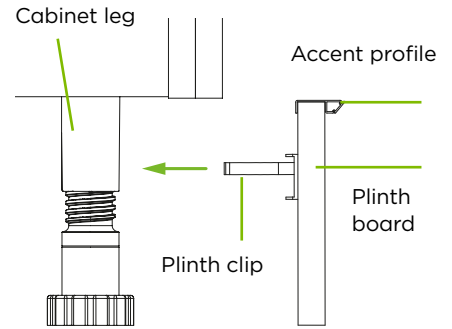
The Accent provides a discreet and fully diffused solution to mount a micro LED flexible strip to the plinth board, with a simple push fit design

2. Fit the Accent atop the plinth

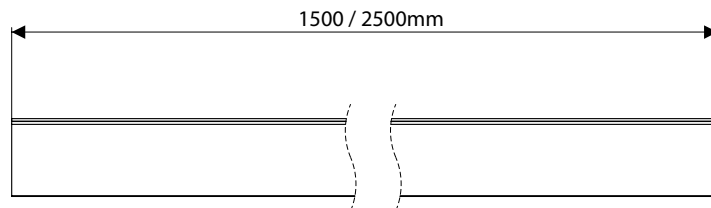
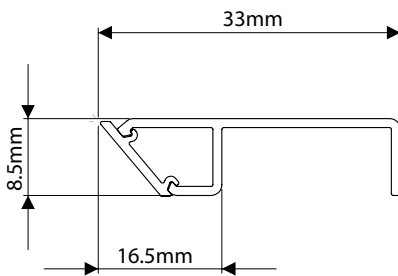


Mount the profile by pushing the U-shaped section over the top of the plinth board. Connectors are available to extend the light around corners.

3. Attach the Plinth



Clip the plinth board into position under the base units.



Compatible with the Ion 5 or Neutron Flexible Strip

Accent - Plinth Profile

CODE	LENGTH	DESCRIPTION
SE185700	1500mm	Profile, Mounting Bracket & End Caps (L&R)
SE185800	2500mm	Profile, Mounting Bracket & End Caps (L&R)

Cables, Connectors & Accessories

CODE	DESCRIPTION
SE995950	Accent Internal Corner Connector
SE994950	Accent External Corner Connector
SE996950	*Accent Installation Aid
SE993950	Accent End Caps



SE994950
External
Corner
Connector

SE995950
Internal
Corner
Connector

SE993950
End Caps

SE996950
Installation
Aid

*The Accent installation aid is required to apply the profile around a corner. (sold separately)

Adapt

Corner & Drawer Profile

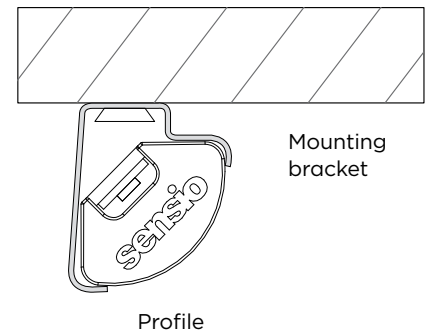
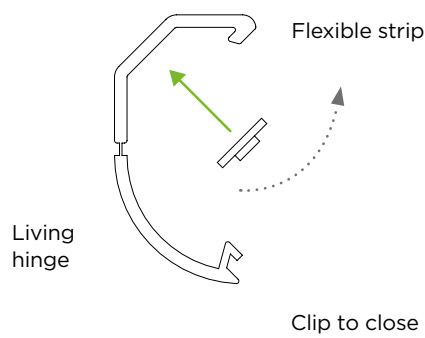
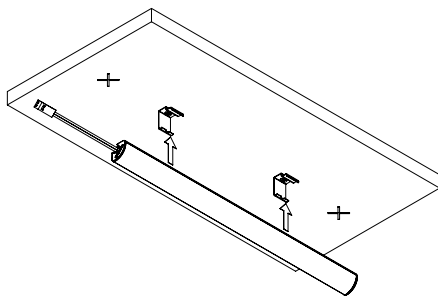


Registered Design Right - 6077033



- A corner profile perfect for installation under cabinets, shelves or inside larder units or drawers
- Part of the Micro-Lines range of profiles which have been designed for flexible strips that are 5mm in width or below
- Features an innovative living hinge allowing the two parts of the profile to stay attached when the flexible strip is installed and making it simple to clip the two sections back together
- Fully diffused resulting in an even spread of light with no visible LED points from the flexible strip
- Can be cut to size
- Supplied with 2 end caps (additional end caps sold separately)
- 1500mm supplied with 2x mounting brackets and 2500mm supplied with 4 mounting brackets
- Drawer mounting brackets sold separately

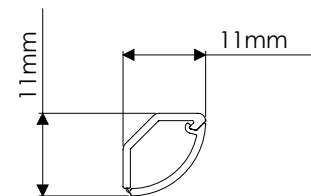
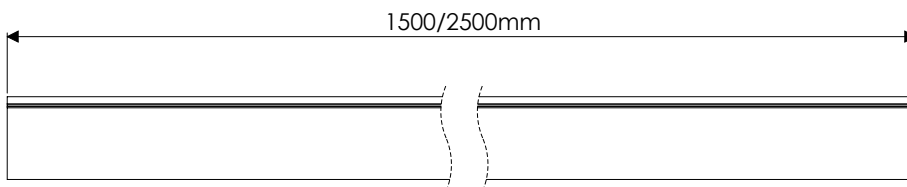
Application



The Adapt shines light down and forwards. Simply cut to length, fit the flexible strip inside, click the cover closed and slot in the end caps. Push the profile housing into the the mounting brackets to hold in place.

The Adapt is one simple unit with a diffused cover which clicks open and closed.

The Adapt is one simple unit with a diffused cover which clicks open and closed.



Compatible with the Ion 5 or Neutron Flexible Strip

Adapt - Corner & Drawer Profile

CODE	LENGTH	DESCRIPTION
SE186790	1500mm	Profile, Mounting Bracket & End Caps (L&R)
SE186890	2500mm	Profile, Mounting Bracket & End Caps (L&R)

Cables, Connectors & Accessories

CODE	DESCRIPTION
SE997950	Adapt Mounting Brackets
SE999950	Adapt End Caps (L&R)
SE998950	Adapt Drawer Mounting Brackets



SE997950 Mounting Brackets	SE999950 End Caps (L&R)	SE998950 Drawer Mounting Brackets
----------------------------------	-------------------------------	--

Glow

Glass Shelf Clip Profile



Registered Design Right - 6077032



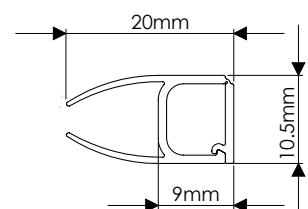
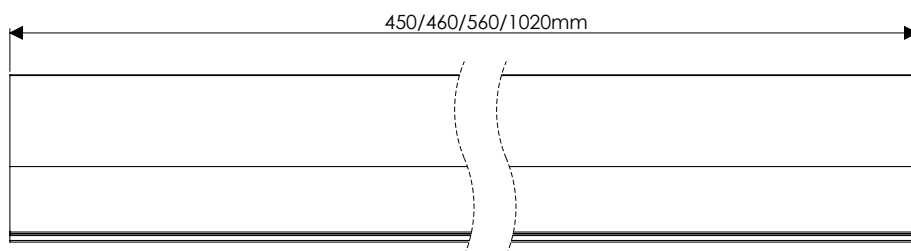
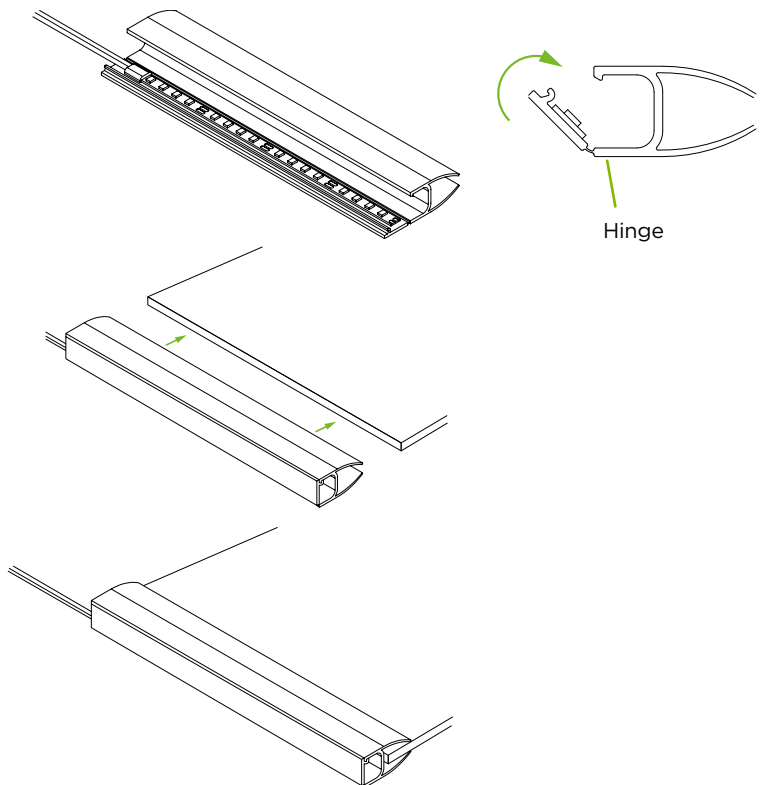
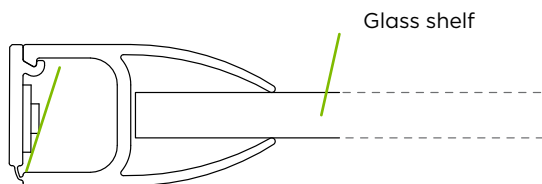
- An inconspicuous solution to transform the appearance and functionality of feature cabinets as well as practical convenience lighting to locate items in a cupboards
- Part of the Micro-Lines range of profiles which have been designed for flexible strips that are 5mm in width or below
- Emits relaxing mood lighting that flows out into the kitchen when used on glass feature shelves
- Features an innovative living hinge allowing the two parts of the profile to stay attached when the flexible strip is installed and making it simple to clip the two sections back together
- Can be cut to size
- Fits 4-8mm glass shelves
- Attaches to the back of the shelf with a simple push-fit

Application

Apply the flexible LED strip to the rear flap on the Glow profile, which then simply folds to click shut - positioning the light shining directly forward through glass shelving.

The front of the profile features a flexible grip to fit shelving from 4-8mm thick. Simply slot the Glow profile onto the back of the shelf.

Flexible strip (not included)



Compatible with the Ion 5 or Neutron Flexible Strip

Glow - Glass Shelf Clip Profile

CODE	DESCRIPTION	LENGTH
SE190790	Shelf Clip Profile	1000mm

Vector

Slim Handleless Profile

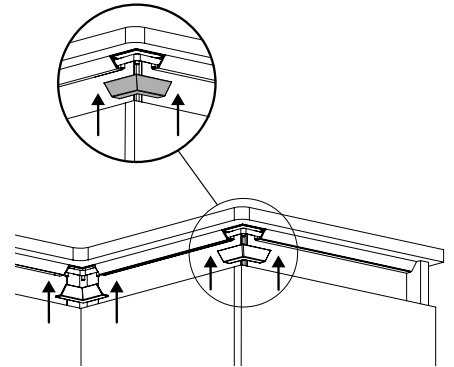
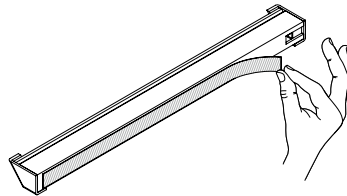
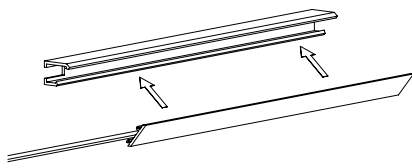
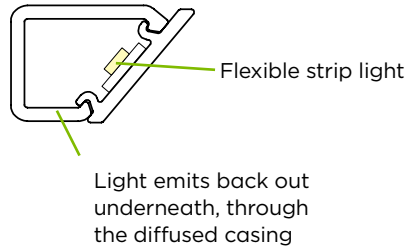
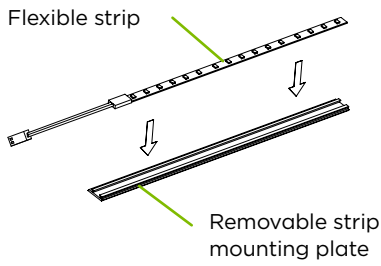


Registered Design Right - 6077023



- The ideal lighting solution for contemporary handleless kitchens
- Subtle and unobtrusive whilst emitting a powerful source of mood lighting
- Part of the Micro-Lines range of profiles which have been designed for flexible strips that are 5mm in width or below
- Provides protection of the flexible strip light when hands go to open drawers and cupboards
- Features an angled light source that guarantees the diffusion of individual LED points
- Removable strip mounting plate for ease of installation and serviceability
- Fully diffused corner connectors result in a fully illuminated light circuit with no dark corners
- Can be cut to size
- Attaches inside the handleless channel with VHB tape

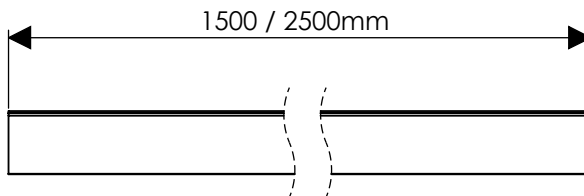
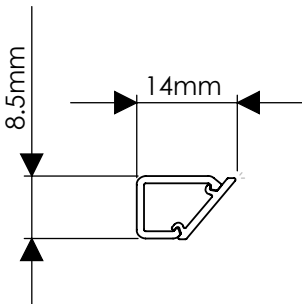
Application



The small form factor of the Vector profile discreetly installs under the worktop edge. Apply a flexible LED strip along the removable panel then click back into place.

Installation is simple peel and stick with the pre-applied high bond backing tape.

Build the lighting run using the additional range of corner accessories available to guide continuous illumination around the edge of units.



Compatible with the Ion 5 or Neutron Flexible Strip

Vector - Slim Handleless Profile

CODE	LENGTH	DESCRIPTION
SE181700	1500mm	Profile & End Caps (L&R)
SE181800	2500mm	Profile & End Caps (L&R)

Cables, Connectors & Accessories

CODE	DESCRIPTION
SE982950	Vector Internal Corner Connector
SE981950	Vector External Corner Connector
SE983950	*Vector Installation Aid
SE993950	Vector End Caps



SE981950 External Corner Connector	SE982950 Internal Corner Connector	SE983950 Installation Aid	SE993950 End Caps
---	---	---------------------------------	----------------------

*The Vector installation aid is required to apply the profile around a corner. (sold separately)

Adorn

Wood Shelf Clip Profile

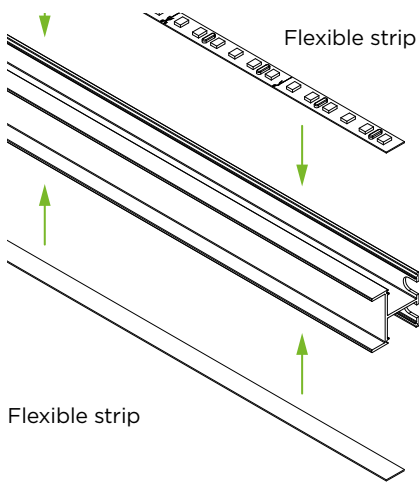


Registered Design Right - 6077040

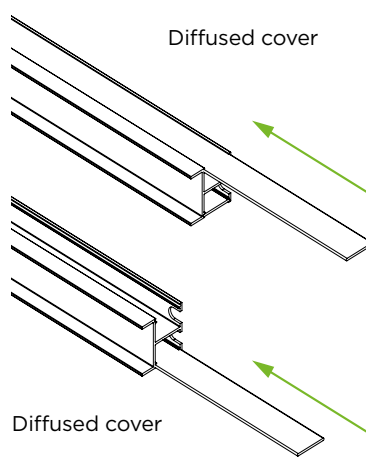


- A discreet profile that clips on to the back of an internal cupboard shelf
- Features upwards and downwards facing light sources to illuminate the cupboard
- Part of the Universal range of profiles which are compatible with any of the Sensio flexible strip range
- Features a U-shaped channel that clips around wooden shelves
- Fits 18mm wooden shelves
- Can be cut to size
- Attaches to the shelf with a simple push-fit

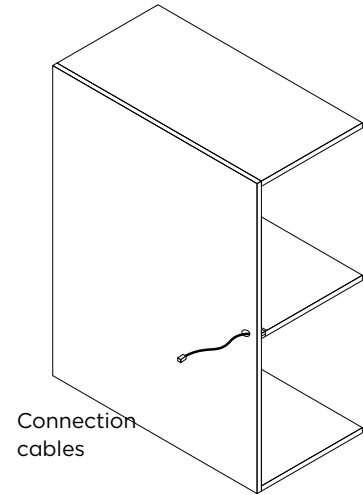
Application



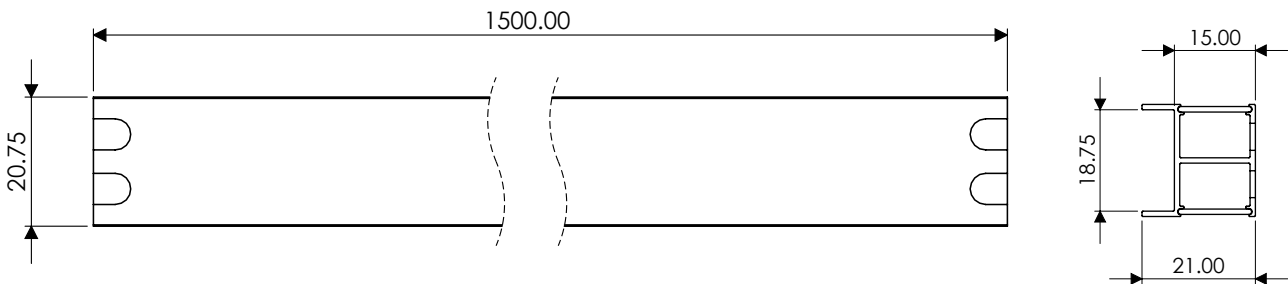
Illuminate both above and below the shelf. Simply lay separate lengths of the flexible LED strip into either side of the dual channel design.



The diffused covers slide into place over each channel to provide symmetrical, even lighting up and down the back of the cabinet.



Discreetly power the flexible strips by passing the connection cables through the back of the cabinet and concealing a slimline Titan driver behind.



Compatible with all flexible strips

Adorn - Wood Shelf Clip Profile

CODE	LENGTH	DESCRIPTION
SE190720	1000mm	Shelf Clip Profile

Beam

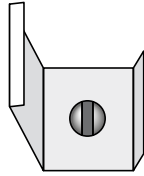
Angled Profile



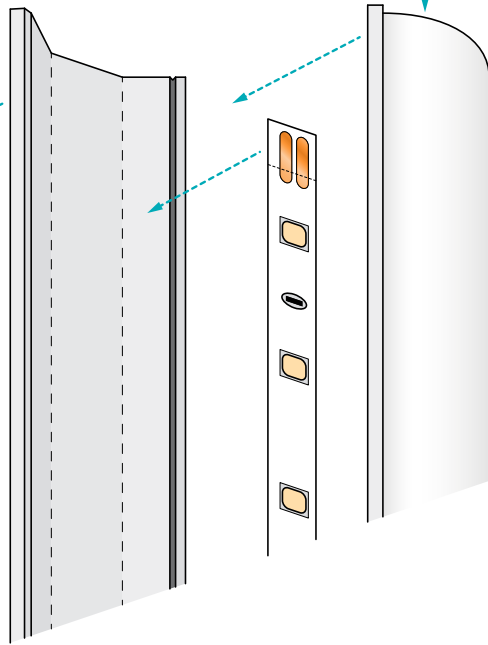
- Angled profile ideal for illuminating cupboards or larders providing an even spread of diffused light
- Part of the Universal range of profiles which are compatible with any of the Sensio flexible strip range
- Light grey finished end caps
- Supplied with one cut out end cap to feed cables through and one with no cut-out for a neat finish
- Opal PC cover to diffuse the LED points
- Mounting brackets and end caps supplied with each profile (2 brackets with 1000mm & 4 with 2200mm)
- Additional mounting brackets and end caps sold separately

Application

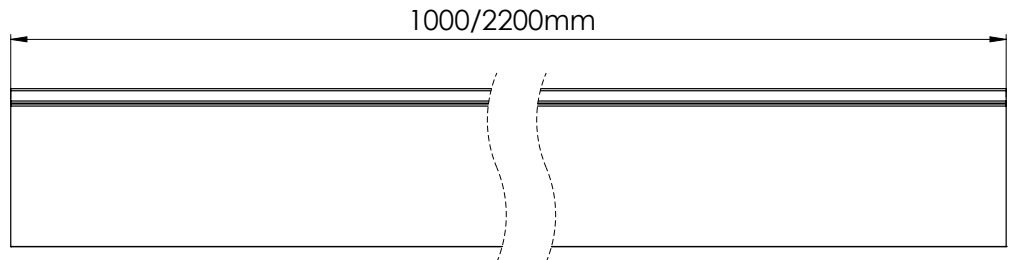
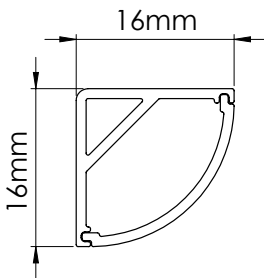
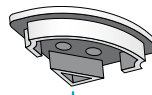
1: Supplied mounting brackets are measured and secured into place in the corner



2: LED strip applies to the inner base of the profile channel and the Beam then slots into the place in the brackets



3: The removable arched cover and end caps slot into place to provide a seamless finish and diffused lighting



Compatible with all flexible strips

Beam - Angled Profile

CODE	LENGTH	DESCRIPTION
SE982120	1000mm	Profile, Mounting Bracket & End Caps (L&R)
SE982220	2200mm	Profile, Mounting Bracket & End Caps (L&R)
SE982320	2500mm	Profile, Mounting Bracket & End Caps (L&R)

Cables, Connectors & Accessories

CODE	DESCRIPTION
SE983050.1	Beam End Cap Set
SE984050.1	Beam Mounting Bracket Set

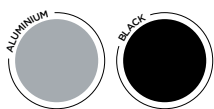


SE983050.1
End Cap
Set

SE984050.1
Mounting
Bracket Set

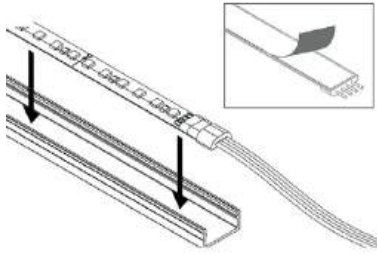
Fino

Surface Mounted Profile

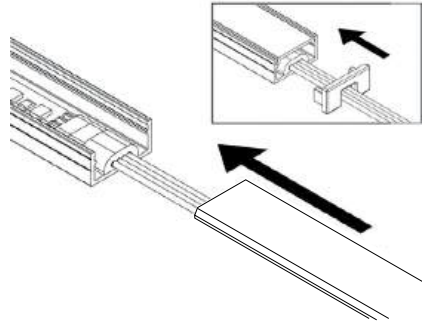


- Perfect for use inside cabinets, larders or wardrobes
- Part of the Universal range of profiles which are compatible with any of the Sensio flexible strip range
- Diffusing cover to disperse the LED points and create a soft, even glow
- Simple surface mounted application
- Mounting brackets and end caps supplied with each profile (2 brackets with the 1000mm and 4 with the 2000mm)
- Additional mounting brackets and end caps sold separately
- Available in both an aluminium and a black finish

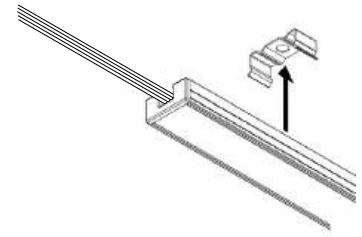
Application



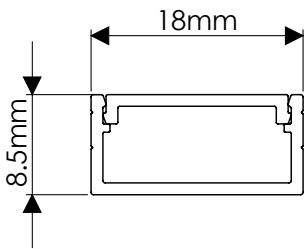
1: The Fino accepts all flexible strips. Cut the aluminium profile and strip to length, then apply the strip into the base of the channel.



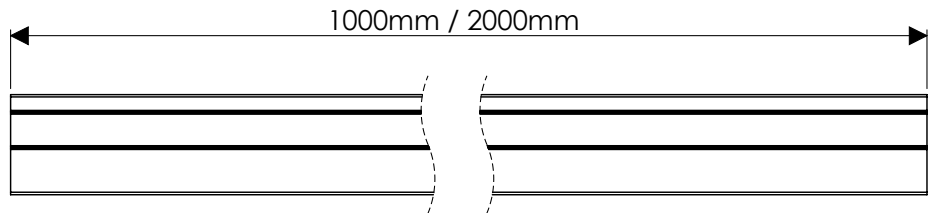
2: Slide the diffusing cover into place and then slot in the end caps, taking care to use the notched endcap over the power cable.



3: The mounting brackets are secured to the surface where the profile is to be installed and then the Fino simply pushes into the brackets to secure.



Compatible with all flexible strips



Fino - Surface Mounted Profile

CODE	FINISH	LENGTH	DESCRIPTION
SE981120	Aluminium	1000mm	Profile, Mounting Brackets & End Caps (L&R)
SE981180	Black	1000mm	Profile, Mounting Brackets & End Caps (L&R)
SE981220	Aluminium	2000mm	Profile, Mounting Brackets & End Caps (L&R)
SE981280	Black	2000mm	Profile, Mounting Brackets & End Caps (L&R)
SE981320	Aluminium	2500mm	Profile, Mounting Brackets & End Caps (L&R)
SE981380	Black	2500mm	Profile, Mounting Brackets & End Caps (L&R)

Cables, Connectors & Accessories

CODE	DESCRIPTION
SE982050	Fino Aluminium End Cap Set
SE982080	Fino Black End Cap Set
SE981050	Fino Mounting Bracket Set



SE982050
Aluminium
End Cap
Set



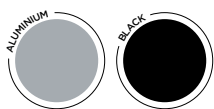
SE982080
Black
End Cap
Set



SE981050
Mounting
Bracket
Set

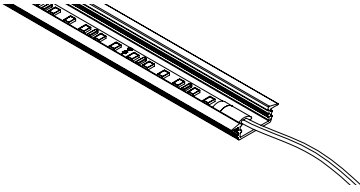
Linia

Recessed Profile

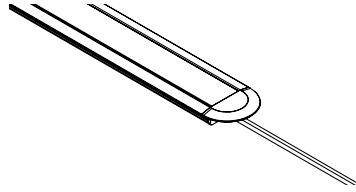


- Perfect for use inside cabinets, larders or wardrobes providing a flush fit for a minimalist finish
- Part of the Universal range of profiles which are compatible with any of the Sensio flexible strip range
- End caps protrude to fill the gap in furniture when cut with a router for neat finish
- Small wings cover any imperfections in the routered edge
- Supplied with end caps (2 with the 1000mm, 4 with the 2200mm. Additional end caps sold separately)
- Can be cut to size
- Available in both aluminium and black finishes

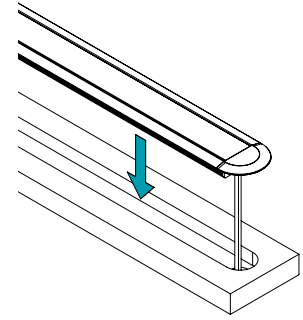
Application



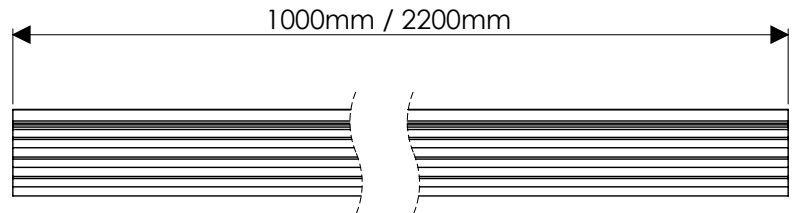
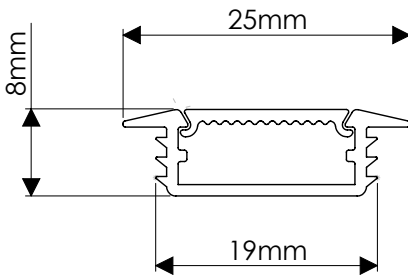
Step 1: Cut the flexible strip to length, then secure it to the base of the profile



Step 2: Slide in the diffused cover and attach the end caps



Step 3: Lay the Linia into a pre-routed channel, sitting flush to the surface



Compatible with all flexible strips

Linia - Recessed Profile

CODE	FINISH	LENGTH	DESCRIPTION
SE980120	Aluminium	1000mm	Profile & End Caps (L&R)
SE980220	Aluminium	2200mm	Profile & End Caps (L&R)
SE980320	Aluminium	2500mm	Profile & 4 End Caps (L&R)
SE980180	Black	1000mm	Profile & End Caps (L&R)
SE980280	Black	2200mm	Profile & End Caps (L&R)
SE980380	Black	2500mm	Profile & 4 End Caps (L&R)



SE980980
Black
End Caps
(L&R)

Cables, Connectors & Accessories

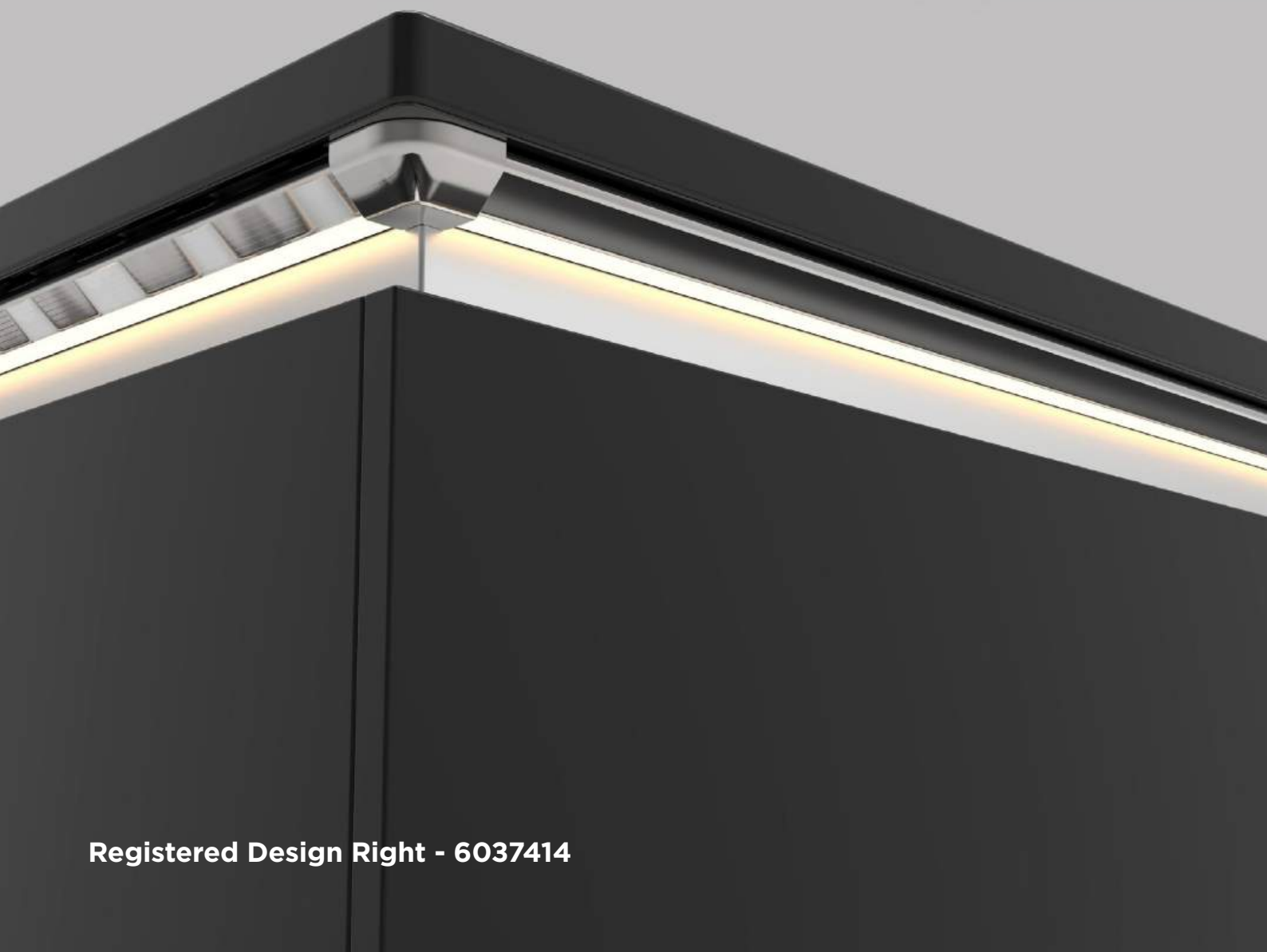
CODE	DESCRIPTION
SE980920	Linia Silver End Cap Set
SE980980	Linia Black End Cap Set



SE980920
Silver
End Caps
(L&R)

Contour

Under Worktop Handleless Profile

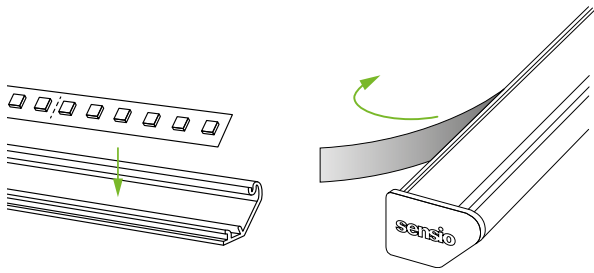


Registered Design Right - 6037414

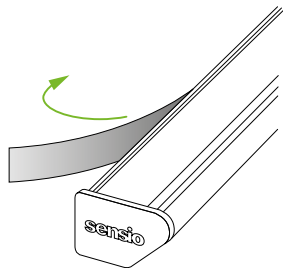


- Designed to sit just below the lip of the worktop to illuminate the handleless channel
- Provides protection of the flexible strip light when hands go to open drawers and cupboards
- Produces an even spread of light with no visible LED points from the flexible strip
- Part of the Universal range of profiles which are compatible with any of the Sensio flexible strip range
- Supplied with 2 end caps (additional end caps sold separately)
- Corner connectors sold separately

Application

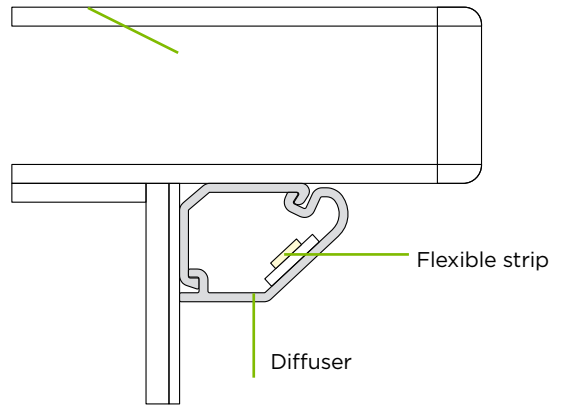


The front panel of the Contour removes to allow the easy installation of the flexible strip.

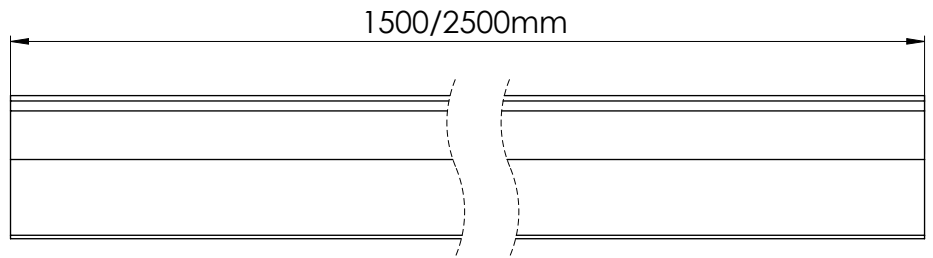
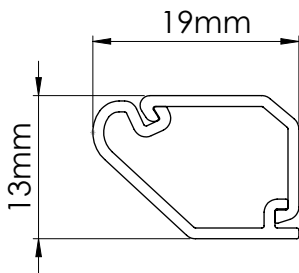


The profile mounts into place with a simple peel and stick using the pre-applied, high bond adhesive backing.

Worktop



Light from the flexible LED strip is emitted inside the profile and then reflected down through diffused lower panel, eliminating the visibility of LED dots and providing a soft continuous glow.



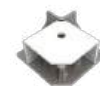
Compatible with all flexible strips

Contour - Under Worktop Handleless Profile

CODE	DESCRIPTION	LENGTH
SE98210	Profile & End Caps (L&R)	1500mm
SE98220	Profile & End Caps (L&R)	2500mm

Cables, Connectors & Accessories

CODE	DESCRIPTION
SE97890	Contour Internal Corner Connector
SE97990	Contour External Corner Connector
SE97790	Silver Contour End Cap Set



SE97890
Internal
Corner
Connector



SE97990
External
Corner
Connector

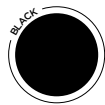
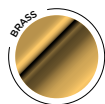


SE97790
End Cap
Set

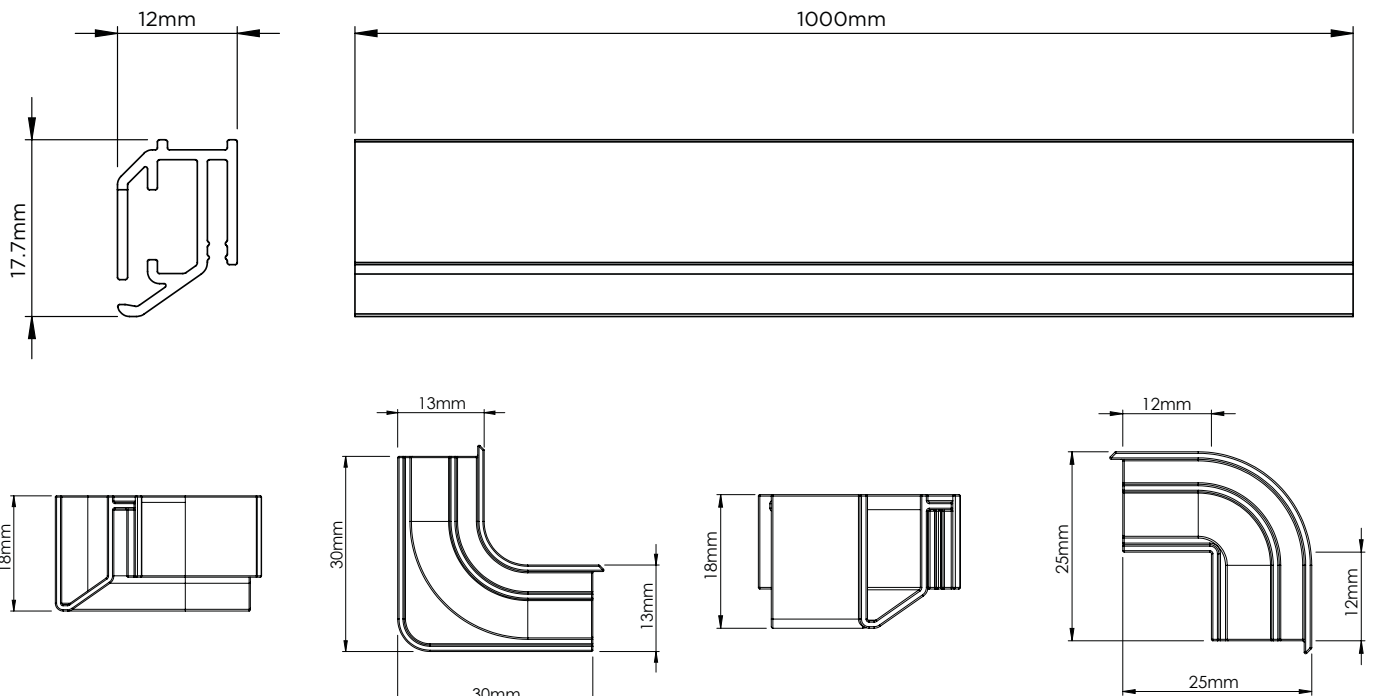
Edge

Unique Profile for Handleless Kitchens & Plinths

NEW



- Provides protection of the flexible strip light when hands go to open drawers and cupboards
- Designed specifically for the Razor X and Razor X Pro LED flexible strip
- Easy push-fit installation of the flexible strip into the u-shaped channel
- Dual application either under worktops or on plinth boards
- VHB (Very High Bond) adhesive tape backing for secure installation
- Supplied in easy to transport 1m lengths, including cable tidy and locking connector
- Unique locking mechanism allows profiles to be joined together for longer runs of light
- Accessories available to allow seamless light around internal and external corners
- IP Rating: IP20



Edge - Profile Lengths

CODE	COLOUR	LENGTH
SE100012A0	Aluminium	1000mm
SE100013A0	Black	1000mm
SE100016A0	Brass	1000mm

Accessories

CODE	COLOUR	APPLICATION
SE100029A0	Aluminium	Internal Corner
SE100023A0	Black	Internal Corner
SE100026A0	Brass	Internal Corner
SE100039A0	Aluminium	External Corner
SE100033A0	Black	External Corner
SE100036A0	Brass	External Corner

Zella

Acrylic Profile for Recessed Installation

NEW



The Zella profile is designed for recessing strips into cabinets with a seamless finish. Providing a fully diffused light for a soft and even glow.

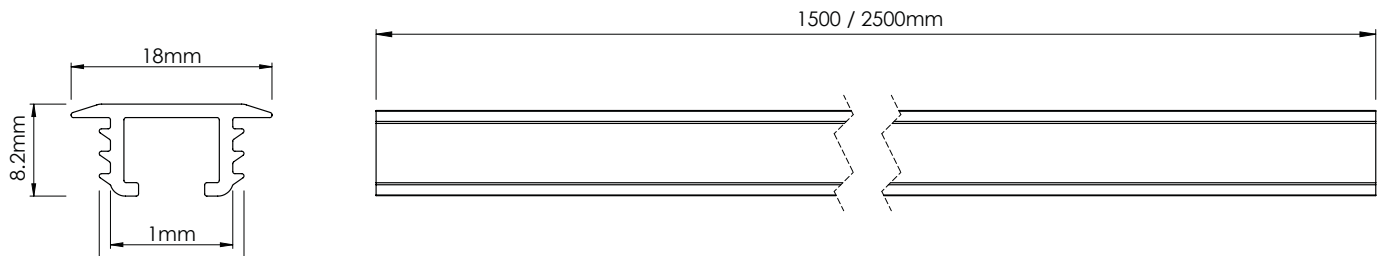
Single piece diffusing cover - reduces wastage and installation time over traditional aluminium profiles



Simple installation - push-fit, instantly creates a seamless finish

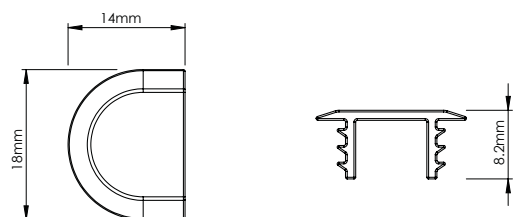
Flush finish - winged edges conceal router imperfections

- Simple push-fit installation
- Supplied with rounded end caps for optional use
- Can be cut to any desired length
- Wide wings cover any router imperfections
- Profile finish fully diffuses light
- Plastic side walls pin the flexible strip to the bottom of the channel
- Compatible with flexible strips of an 8mm width or more
- Available in 1500mm or 2500mm sizes
- IP Rating: IP20



Zella - white diffusing profile

CODE	LENGTH
SE100019NDA0	1500mm
SE100029NDA0	2500mm



Ray

Angled profile / Illuminated profile

NEW

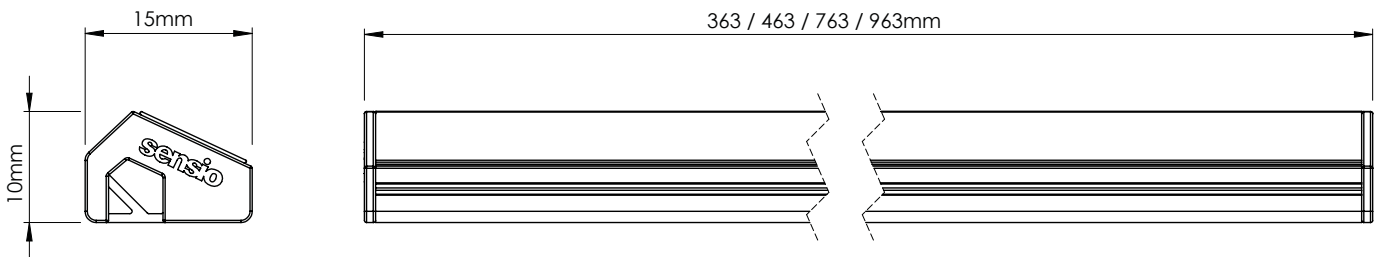
Registered Design Right - 6077016



- Base, cover and strip merged into one solution
- 45 degree beam angle
- Available in 4 lengths
- Profile includes Neutron LED strip in natural white
- VHB (Very High Bond) adhesive tape backing for secure installation
- IP Rating: IP20



The Ray profile is also ideal for convenient lighting in drawers



Ray - Angled Profile

CODE	DESCRIPTION	LENGTH
SE184720	Profile & End Caps (L&R)	1500mm
SE184820	Profile & End Caps (L&R)	2500mm

Cables, Connectors & Accessories

CODE	DESCRIPTION
SE992950	Ray Internal Corner Connector
SE991950	Ray External Corner Connector
SE990950	Ray End Cap Kit (L&R)



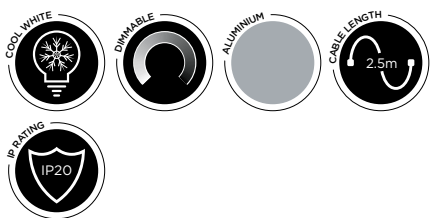
Ray Illuminated Profile - Natural White - 4000K

CODE	COLOUR	LENGTH	LUMENS	WATTAGE	DRIVER
SE10032NDNO	Natural	363mm	540lm/m	4.8W/m	6W required
SE10042NDNO	Natural	463mm	540lm/m	4.8W/m	6W required
SE10072NDNO	Natural	763mm	540lm/m	4.8W/m	6W required
SE10092NDNO	Natural	963mm	540lm/m	4.8W/m	6W required

Designed to fit 400mm, 500mm, 800mm and 1000mm width wardrobes, respectively.

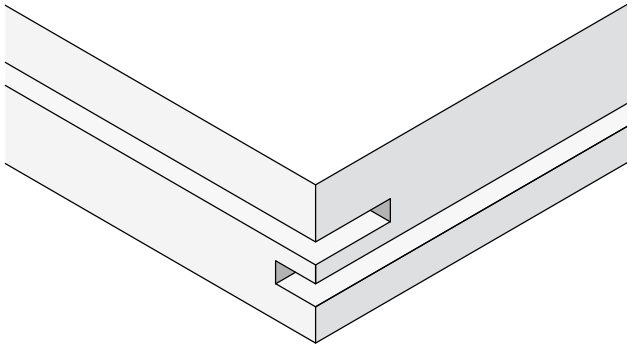
Manta

Integrated Handleless Profile

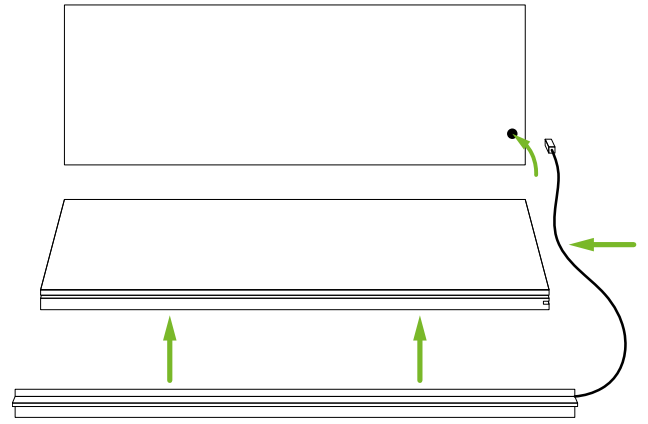


- A truly integrated lighting profile for handleless kitchens, lighting both through the top and bottom of the profile
- Pre-fitted cool white flexible strip
- Installed on the front edge of the internal cupboard base shelf/panel or in the handleless channel to illuminate both inside the cupboard and down to the worktop
- Diffused cover ensures an even spread of light and no visible LED points
- Compatible with Sensio single-colour receiver to enable dimming functionality
- Available in 4 lengths

Application

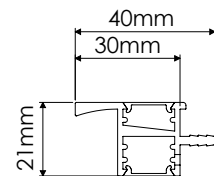
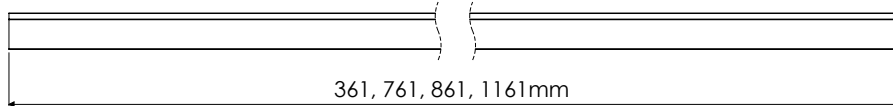
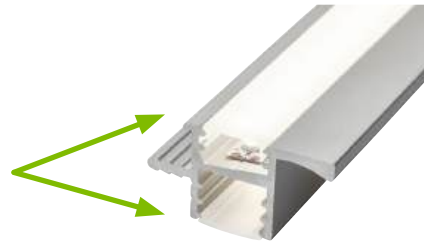


The Manta is designed to mount directly to the front of a base panel with a simple push-fit. Two channels are routed into the base panel. One along the front edge and a second down the side edge.



Slot the Manta profile into the front channel. Tuck the power cable neatly down the side and through the back. Power can be discreetly supplied with our slimline Titan driver concealed behind or on top of the cabinet.

Dual, diffused lighting illuminates both above, into the cabinet and below, onto the kitchen worktop. Replaces the existing fitting on handleless base panels.



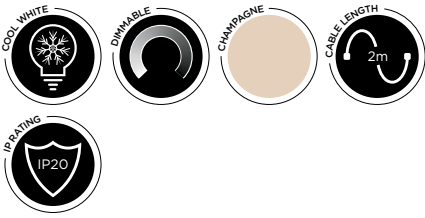
Manta - Integrated Handleless profile - Cool White (4500K)

CODE	LENGTH	LUMENS	WATTAGE	VOLTAGE	QTY	DRIVER
SE27012CO	361mm	503 lm	6.4 W	24V	1	Required
SE27412CO	761mm	1070 lm	14.3 W	24V	1	Required
SE27512CO	861mm	1225 lm	15.4 W	24V	1	Required
SE27712CO	1161mm	1606 lm	21.1 W	24V	1	Required

Genoa

Integrated LED Shelf Profile

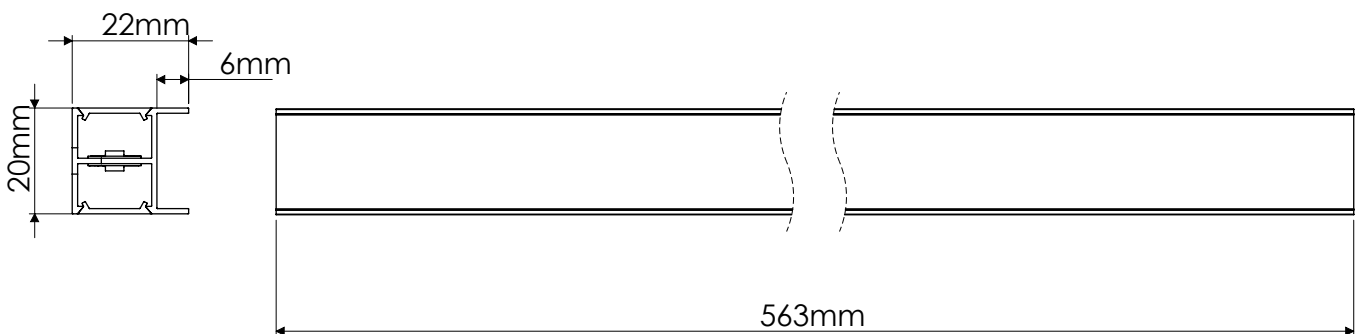
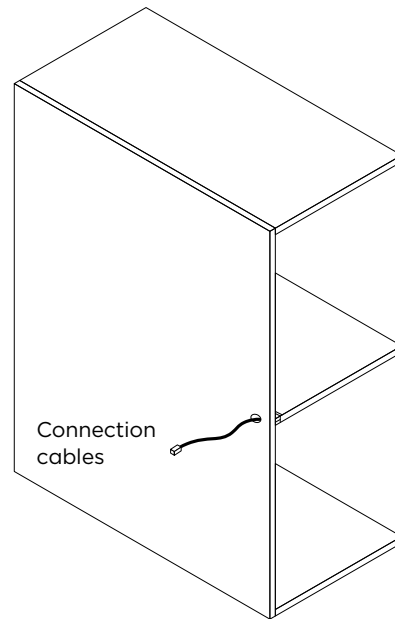




- Unique up-and-down shelf light suitable for 18mm wooden shelves
- Clips on to the rear of the shelf, light projects vertically in both directions
- Easy to install
- Incorporates integrated diffuser and 2 pre-installed, LED strips

Application

The Genoa takes the concept of our Adorn profile but is supplied with the flexible strips pre-installed and cut to length to fit a 600mm cabinet. Simply feed the cables through the back of the cabinet and connect to the driver.



Genoa Integrated LED Shelf Profile - **Cool White (4500K)**

CODE	LENGTH	LUMENS	WATTAGE	VOLTAGE	QTY	DRIVER
SE18592C0	563 mm	500 lm	8.9 W	24V	1	Required

Glow Pro / Glow

Illuminated Glass Shelf Clip



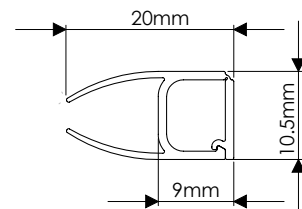
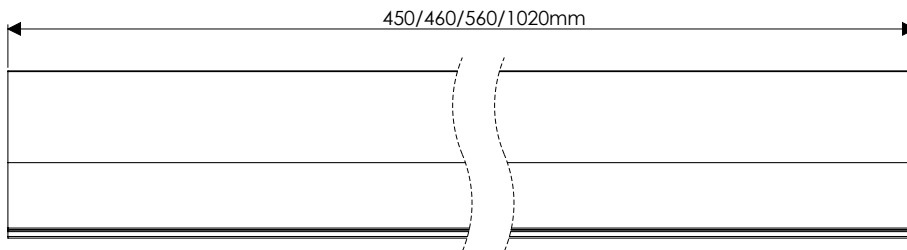
Registered Design Right - 6077032



- An inconspicuous solution to transform the appearance and functionality of feature cabinets as well as practical convenience lighting to locate items in a cupboards
- Emits relaxing mood lighting that flows out into the kitchen when used on glass feature shelves
- Can be cut to size at the marked cut points
- Fits 4-8mm glass shelves
- Attaches to the back of the shelf with a simple push-fit
- Available in both colour temperature changing (CCT) and single colour (cool white) options
- Correlated Colour Temperature (CCT) allows the perfect light temperature selection and transition from warm to cool white temperatures
- Cool white options compatible with Sensio single color receiver and Universal Remote Control to enable dimming functionality
- Glow Pro version compatible with Sensio CCT receiver and Universal Remote Control to adjust light temperature and enable dimming functionality

Application

This integrated edition of our popular Glow profile for glass shelving, is delivered with the flexible strip pre-installed for quick installation. Simply slot onto the back of the shelf and connect the power. See p77 for more information on the profile application.



Glow Glass Shelf Clip Illuminated Profile - **Cool White (5000K)**

CODE	LENGTH	WATTAGE	DRIVER
SE19089C0	500mm	2.1 W	Required
SE19039C0	600mm	2.64 W	Required
SE19079C0	1000mm	4.8 W	Required

Glow Glass Shelf Clip Illuminated Profile - **Natural White (4500K)**

CODE	LENGTH	WATTAGE	DRIVER
SE19089N0	500mm	2.1 W	Required
SE19079N0	1000mm	4.8 W	Required

Glow Pro Glass Shelf Clip Illuminated Profile - **CCT (2700K - 6000K)**

CODE	LENGTH	WATTAGE	DRIVER
SE19079P02	500mm	2.7 W	Required
SE19079P01	1000mm	6 W	Required

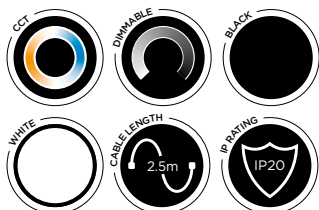
*Length in table represents cabinet size

Cables, Connectors & Accessories

CODE	DESCRIPTION
SE772990	Single-Colour Receiver
SE771990	CCT Receiver
SE770390	Universal Remote

Flex with Polar X Pro

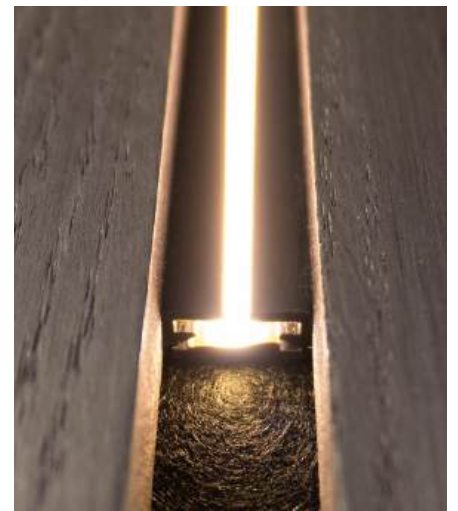
Illuminated Silicone Profile for Recessed Installations



The Flex is a truly innovative all in one solution. Featuring a flexible silicone profile with Polar X Pro CCT LED strip built in, which can be cut at any length. Designed for use in acoustic panels and recessed installations, this easy to install product offers a discrete and seamless finish. Unlike rigid profiles, the Flex is supplied on a coiled reel saving on transportation cost and space.

- Easy push-fit installation
- Winged option available to sit flush on any surface
- Can be cut to any desired length
- In-built Polar X Pro flexible strip
- CCT - Correlated Colour Temperature
- 24V allows long runs of light without any light fade
- Compatible with Sensio CCT Receiver and Universal Remote Control or the Titan Smart Kinetic Driver to control, zone and dim the lights
- Supplied in a 5m reel
- Available in two different finishes; Black and White
- IP Rating: IP20

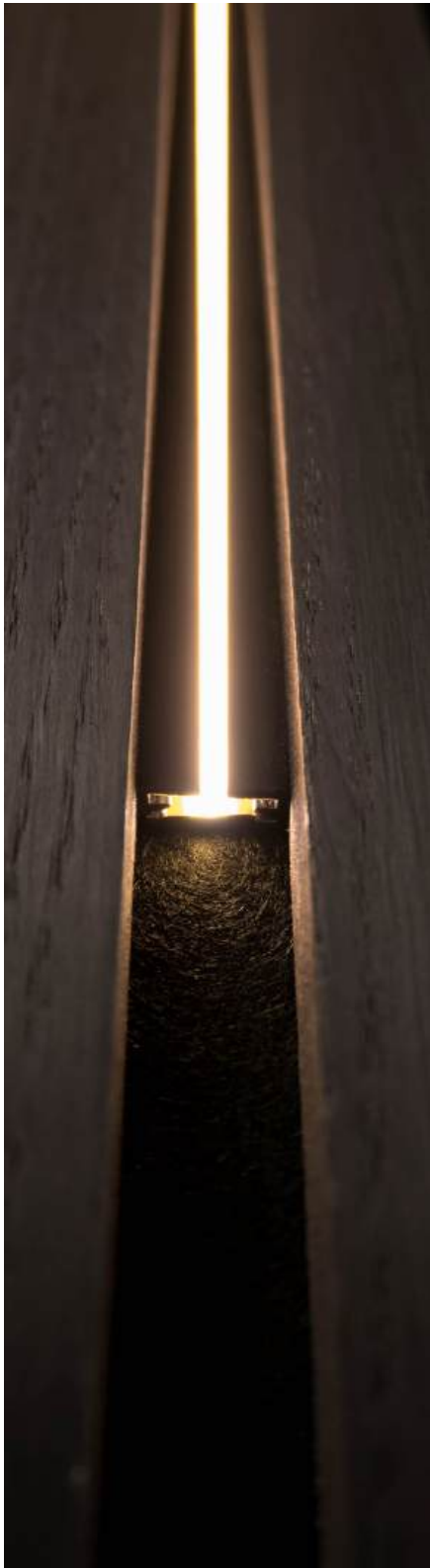




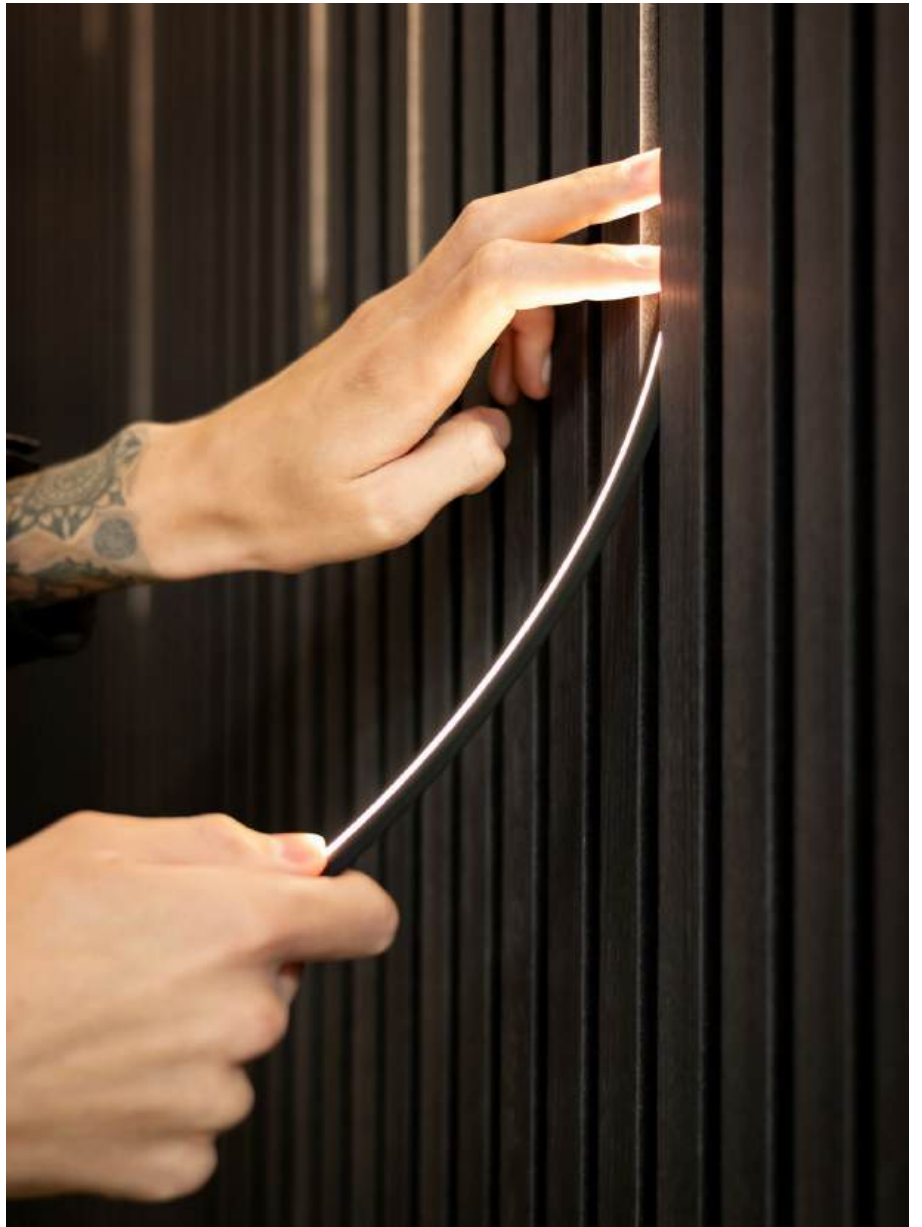
The Flex installs beautifully in trending acoustic panels with simple push-fit installation. When unlit, the silicone case is discreet and unobtrusive.



Polar X Pro inside the Flex, brings the ability to cut the profile to any length. Connect power using the existing Polar Pro accessories to get multiple runs from one reel, or get creative by cutting different lengths.



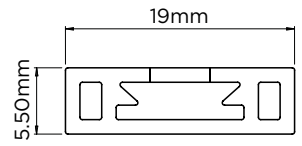
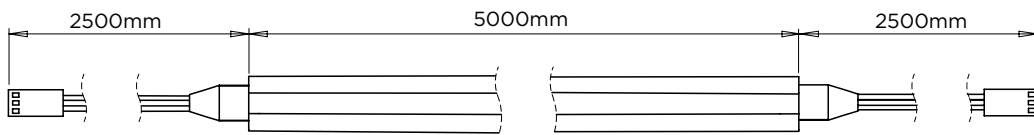
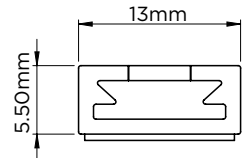
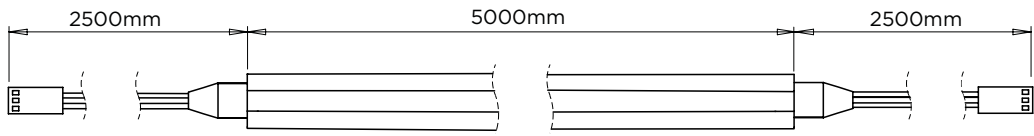
Style choices - Our surface mount edition will push to the back of the channel in an acoustic panel, creating a more discreet effect. Whereas the winged model sits flush to the front for more prevalence when illuminated.



Surface mount edition - Supplied with VHB tape applied for efficient application. Simply cut to length then connect the power.

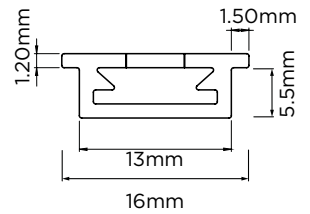
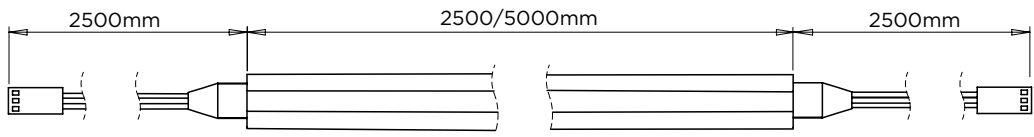


Recessed winged edition - Designed to conceal router imperfections and for a flush surface finish.



Flex with Polar X Pro - **Surface Mount or Recess** | CCT 2700-6500K | 512 LED/m

CODE	COLOUR	LENGTH	LUMENS	WATTAGE	VOLTAGE
SE070003NDPO	Black	13mm x 5000mm	580lm/m	6W/m	24V
SE070004NDPO	White	13mm x 5000mm	580lm/m	6W/m	24V
SE070007NDPO	Black	19mm x 5000mm	580lm/m	6W/m	24V

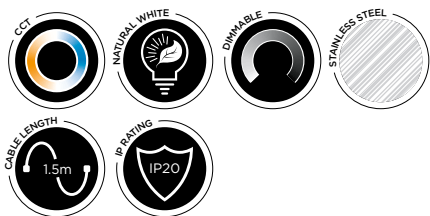


Flex with Polar X Pro - **Recessed** | CCT 2700-6500K | 512 LED/m

CODE	COLOUR	LENGTH	LUMENS	WATTAGE	VOLTAGE
SE070005NDPO	Black	16mm x 5000mm	580lm/m	6W/m	24V
SE070006NDPO	White	16mm x 5000mm	580lm/m	6W/m	24V

Expanse Pro / Expanse

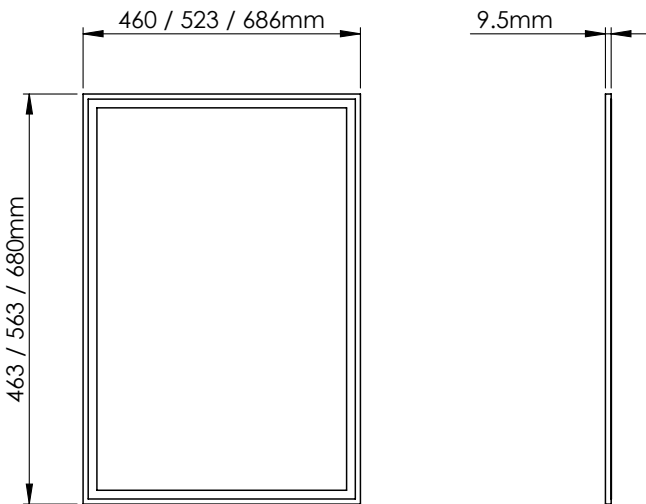
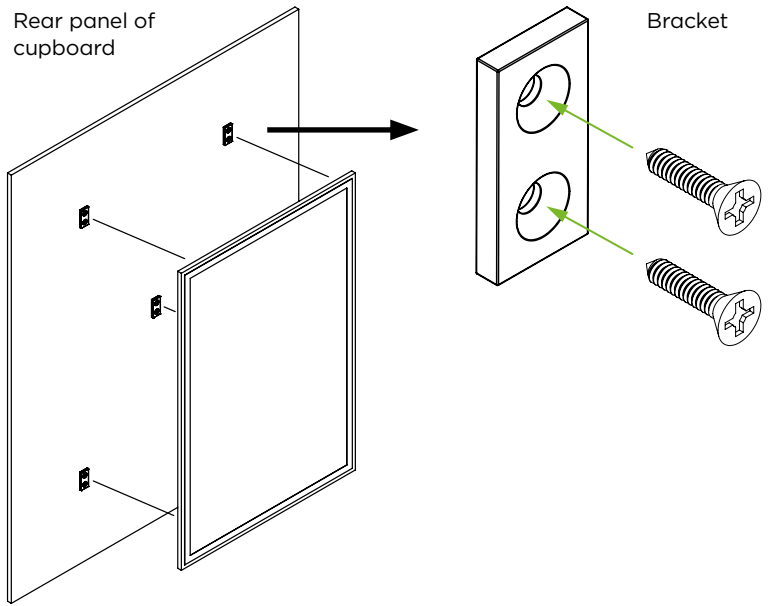
LED Illuminated Back Panel



- Perfect for creating a showcase of glass-fronted cabinets or flooding cupboards with light
- Installs into the back of wall units with magnetic fixing brackets
- Correlated Colour Temperature (CCT) allows the perfect light temperature selection and transition from warm to cool white temperatures (find out more on p17. (Also available in single-colour natural white)
- Fully diffused light - no visible diodes
- Provided with pre-connected lead to connect directly into the driver

Application

The Expanse is designed to cover the entire rear panel of a cabinet, flooding the interior with backlit illumination. Installation is seamless with a simple magnetic bracket system to hold the panel in place.



Expanse Pro - CCT LED Illuminated Back Panel (2700K - 6000K)

CODE	SIZE	LUMENS	WATTAGE	VOLTAGE	CABLE
SE14192P0	463 x 523 x 9.5mm	2265 lm	24 W	24V	1500mm
SE14292P0	563 x 523 x 9.5mm	2960 lm	28 W	24V	1500mm
SE14092P0	460 x 680 x 9.5mm	1300 lm	13 W	24V	1500mm
SE14392P0	463 x 686 x 9.5mm	2665 lm	28 W	24V	1500mm
SE14492P0	563 x 686 x 9.5mm	2919 lm	28 W	24V	1500mm

Expanse - Natural White LED Illuminated Back Panel (4000K)

CODE	SIZE	LUMENS	WATTAGE	VOLTAGE	CABLE
SE14092N0	680 x 460 x 10mm	1300 lm	13W	24V	1500mm

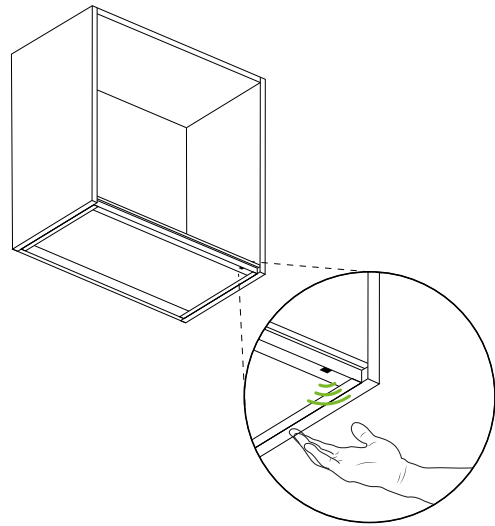
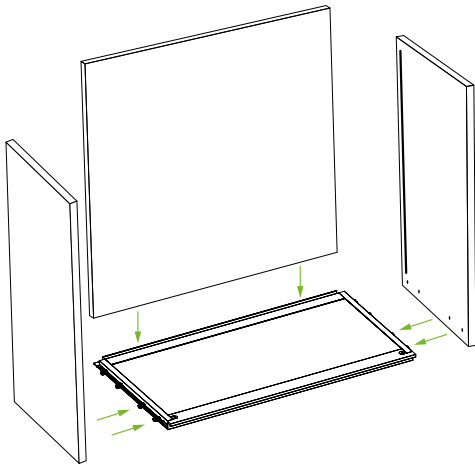
Verona

CCT LED Illuminated Base Panel



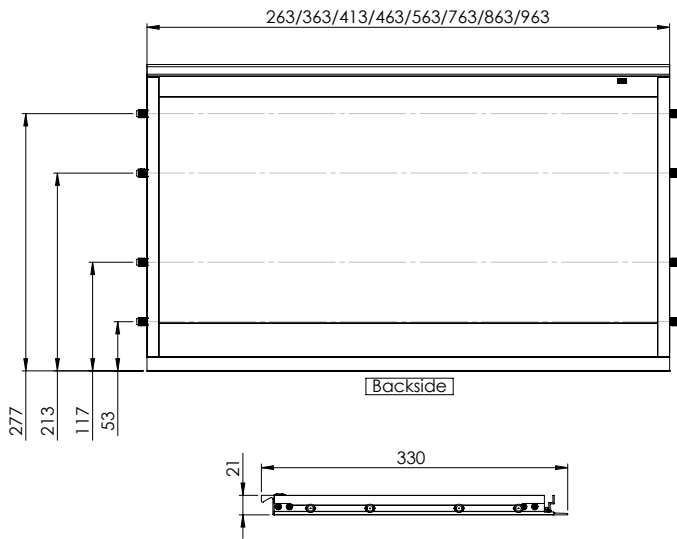
- A unique, integrated illuminated glass base panel with a superb light output that can transform a normal kitchen wall base unit into an illuminated base panel casting light both down to the worktops and up inside the wall unit
- The LEDs are encased between two glass panels which diffuse the light across the whole panel
- Correlated Colour Temperature (CCT) allows the perfect light temperature selection and transition from warm to cool white temperatures
- Controlled with a simple hand swipe to activate the integrated IR sensor

Application



The Verona is designed to flood light both over the work surface and up inside the cabinet, acting as the base panel for the cabinet structure.

Activate the lighting and adjust colour temperature with intuitive, hands-free control via the integrated infra-red sensor.



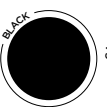
Verona - CCT LED Illuminated Base Panel (2700K - 6000K)

CODE	WATTAGE	VOLTAGE	SIZE
SE13792N0	1.9 W	24V	263 x 329 x 21mm
SE13092N0	2.9 W	24V	363 x 329 x 21mm
SE13292N0	3.3 W	24V	463 x 329 x 21mm
SE13392N0	4.2 W	24V	563 x 329 x 21mm
SE13492N0	5.6 W	24V	763 x 329 x 21mm
SE13592N0	6.2 W	24V	863 x 329 x 21mm
SE13692N0	7.1 W	24V	963 x 329 x 21mm

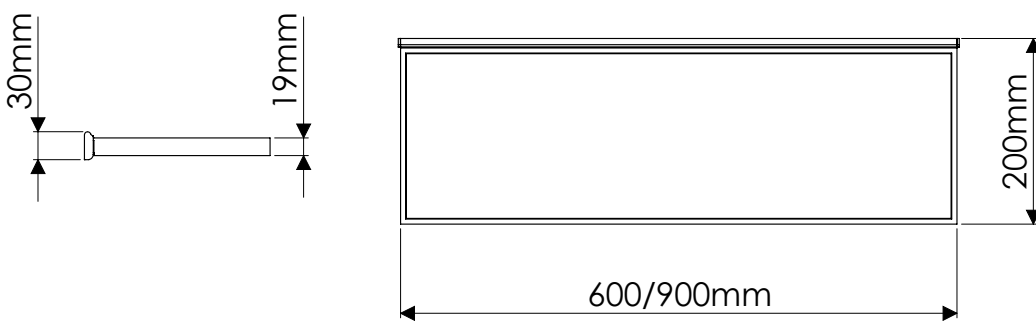
Full specification and pricing available on request

Torino

LED Wall Mounted Shelf



- Contemporary, illuminated feature wall shelf
- LEDs embedded within the frame creates a stunning glow as the light travels through the tempered glass
- Available in both black and silver finishes
- Available in two lengths (600mm & 900mm)
- Aluminium frame with tempered glass shelf
- Load bearing capacity 10kg



Torino LED Wall Mounted Shelf - **Cool White (4500K)**

CODE	COLOUR	LENGTH	LUMENS	WATTAGE	VOLTAGE	QTY	DRIVER
SE17232C0	Silver	600 mm	325 lm	5.4 W	24V	1	Required
SE17262C0	Silver	900 mm	482 lm	8.4 W	24V	1	Required
SE17238C0	Black	600 mm	325 lm	5.4 W	24V	1	Required
SE17268C0	Black	900 mm	482 lm	8.4 W	24V	1	Required

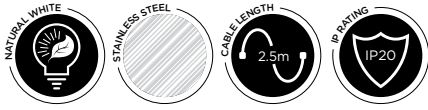
UNDER CABINET LIGHTING

- Ensures the kitchen becomes a more effective working space for everyday tasks such as food preparation
- Typically positioned under wall units to illuminate worktops
- Variety of shapes, sizes and finishes offer the opportunity to make a feature of the lighting and compliment the design of the kitchen

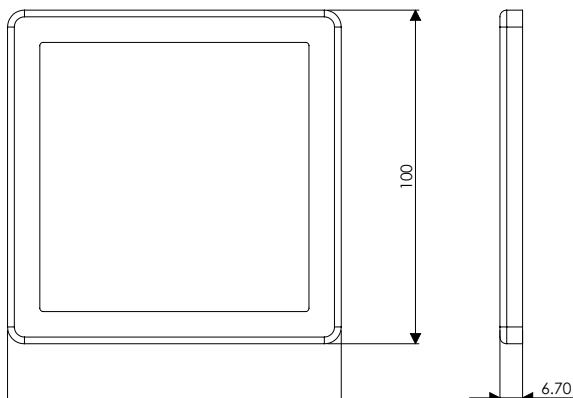
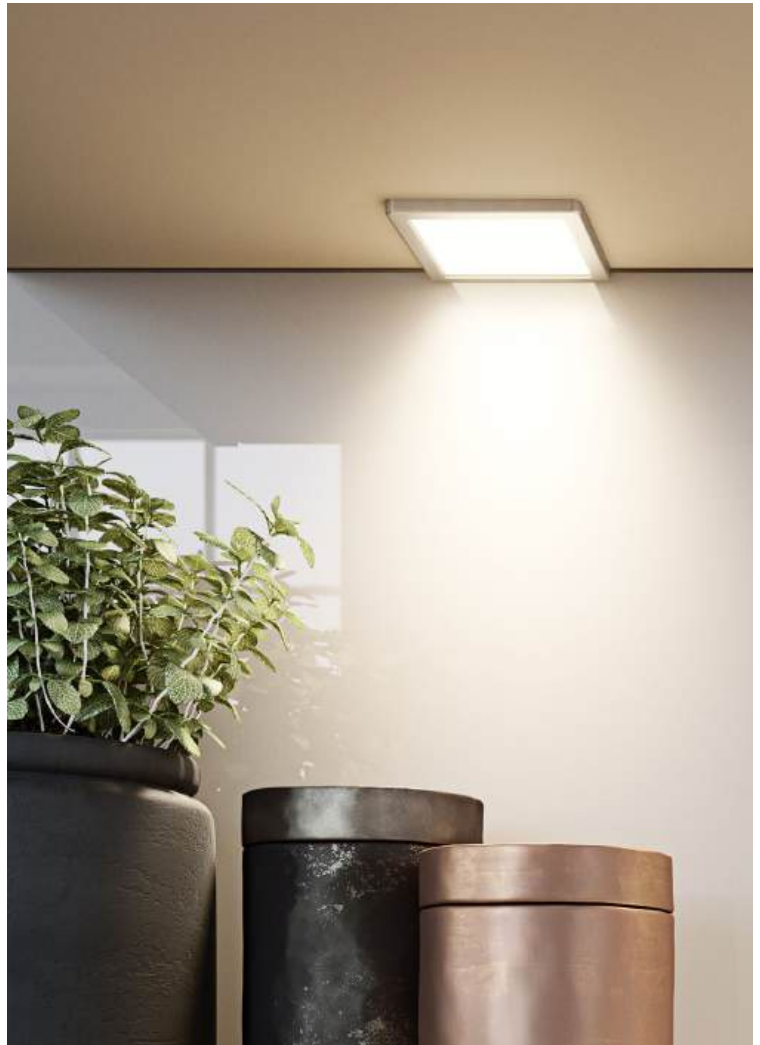


Plaza

LED Square Under Cabinet Light



- Stylish, slimline design
- Removable magnetic bezel conceals fixings for a sleek finish
- Innovative etched design completely diffuses light - no visible LED dots
- Superb, diffused light output - CRI : 90
- Ideal for under cabinet lighting
- Simple to install
- Compatible with all Sensio single-colour lighting controls
- Available in natural white making it ideal for a range of kitchen styles
- Kits supplied with a pre-wired, 13A 3pin plug and driver



Plaza LED Under Cabinet Light - **Natural White (4000K)**

CODE	LUMENS	WATTAGE	VOLTAGE	QTY	DRIVER
SE11090N0	250 lm	3.6 W	24V	1	Required
SE11090N3	250 lm	10.8 W	24V	3	15W Included

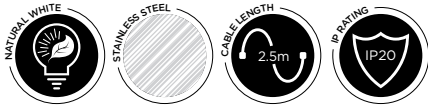
MOQ of 20 units applies

Cables, Connectors & Accessories

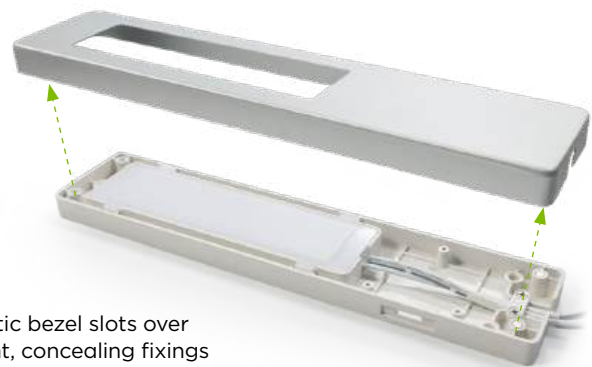
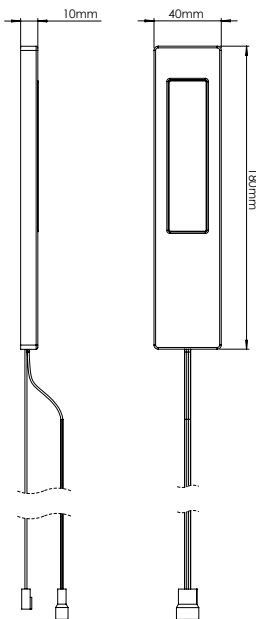
CODE	DESCRIPTION
SE9009	2500mm Extension Cable

Solo

LED Under Cabinet Light



- Stylish, slimline design
- Removable magnetic bezel conceals fixings for a sleek finish
- Innovative etched design completely diffuses light - no visible dots
- Superb, diffused light output - CRI : 90
- Ideal for under cabinet lighting
- Simple to install
- Compatible with all Sensio single-colour lighting controls
- Available in natural white making it ideal for a range of kitchen styles
- Kits supplied with a pre-wired, 13A 3pin plug and driver



Magnetic bezel slots over the light, concealing fixings and providing a seamless finish.

Solo LED Under Cabinet Light - **Natural White (4000K)**

CODE	LUMENS	WATTAGE	VOLTAGE	QTY	DRIVER
SE11192N0	180 lm	2.5 W	24V	1	Required
SE11192N3	180 lm	7.5 W	24V	3	15W Included

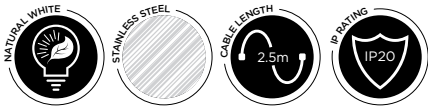
MOQ of 20 units applies

Cables, Connectors & Accessories

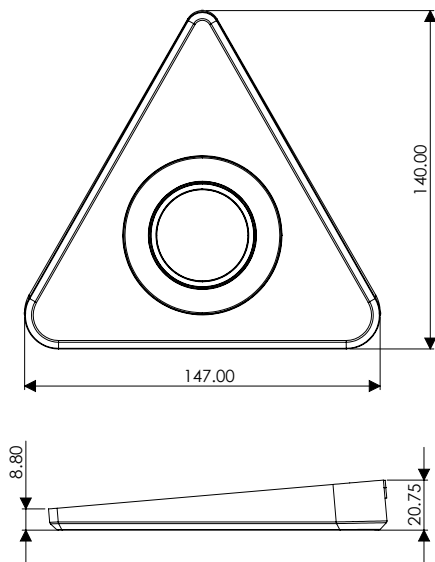
CODE	DESCRIPTION
SE9009	2500mm Extension Cable

Treos

LED Slim Triangular Spot Light



- Stylish, stainless steel triangular design
- Perfect under cabinet task lighting
- Fully diffused - no visible dots
- Easy to install plug and play technology
- Compatible with all Sensio single-colour lighting controls
- Available in natural white making it ideal for a range of kitchen styles
- Kits supplied with a pre-wired, 13A 3pin plug and driver



Treos LED Under Cabinet Light - **Natural White (4000K)**

CODE	LUMENS	WATTAGE	VOLTAGE	QTY	DRIVER
SE11290N0	180 lm	2 W	24V	1	Required
SE11290N3	180 lm	6 W	24V	3	6W Included

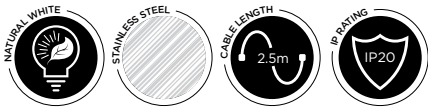
MOQ of 20 units applies

Cables, Connectors & Accessories

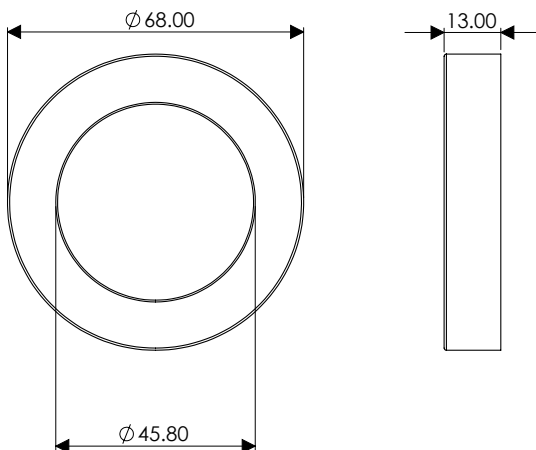
CODE	DESCRIPTION
SE9009	2500mm Extension Cable

Zeta

LED Surface/Recessed Spot Light



- Compact, stylish appearance
- Supplied with removable collar to allow for either a surface mounted or recessed finish
- Diffused light - no visible dots
- Stainless steel finish
- Ideal for under cabinet or in cabinet feature lighting
- Easy to install
- Compatible with all Sensio single-colour lighting controls
- Available in natural white making it ideal for a range of kitchen styles
- Kits supplied with a pre-wired, 13A 3pin plug and driver



Zeta LED Under Cabinet Light - **Natural White (4000K)**

CODE	LUMENS	WATTAGE	VOLTAGE	QTY	DRIVER
SE11190N0	180 lm	2 W	24V	1	Required
SE11190N3	180 lm	6 W	24V	3	6W Included

MOQ of 20 units applies

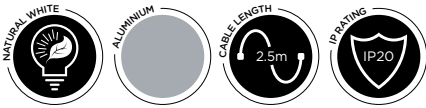
Cables, Connectors & Accessories

CODE	DESCRIPTION
SE9009	2500mm Extension Cable

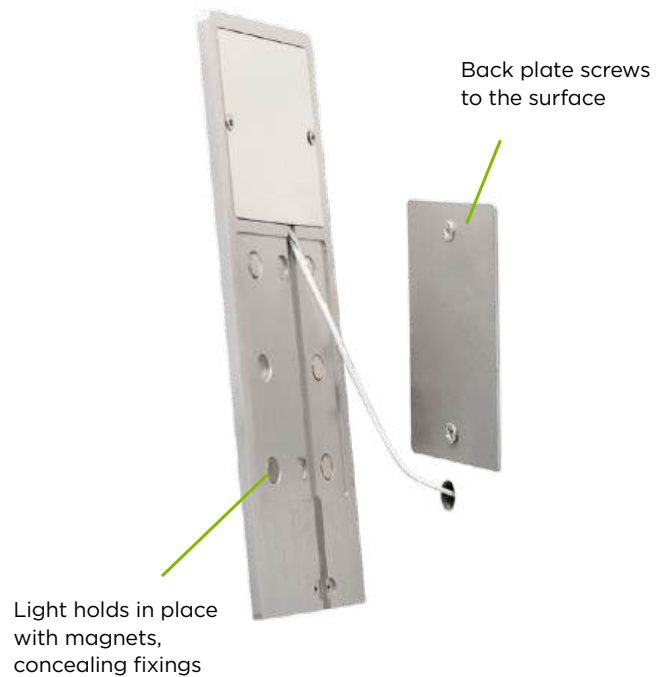
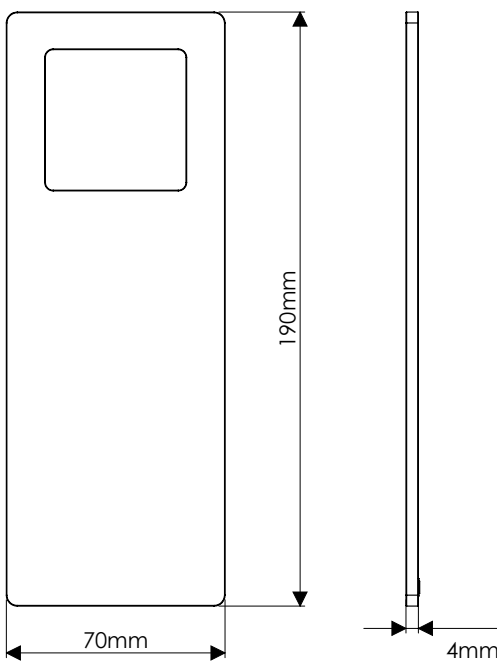
Velos

LED Under Cabinet Light





- Super slimline design
- Brushed aluminium finish
- Magnetic mounting plate conceals fixings for a clean finish
- Ideal for under cabinet lighting
- Elongated design allows for vast spread of light across the worktop
- Suberb light output
- Wide, 120° beam angle eliminates dark areas
- Simple to install
- Compatible with all Sensio single-colour lighting controls
- Available in natural white making it ideal for a range of kitchen styles
- Kits supplied with a pre-wired, 13A 3pin plug and driver



Velos LED Under Cabinet Light - Natural White (4000K)

CODE	LUMENS	WATTAGE	VOLTAGE	QTY	DRIVER
SE11092N0	290 lm	4.8 W	24V	1	Required
SE11092N3	290 lm	14.4 W	24V	1	15W Included

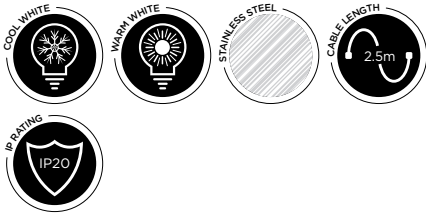
MOQ of 20 units applies

Cables, Connectors & Accessories

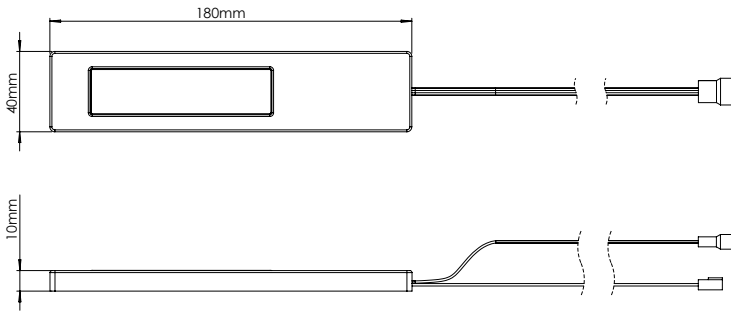
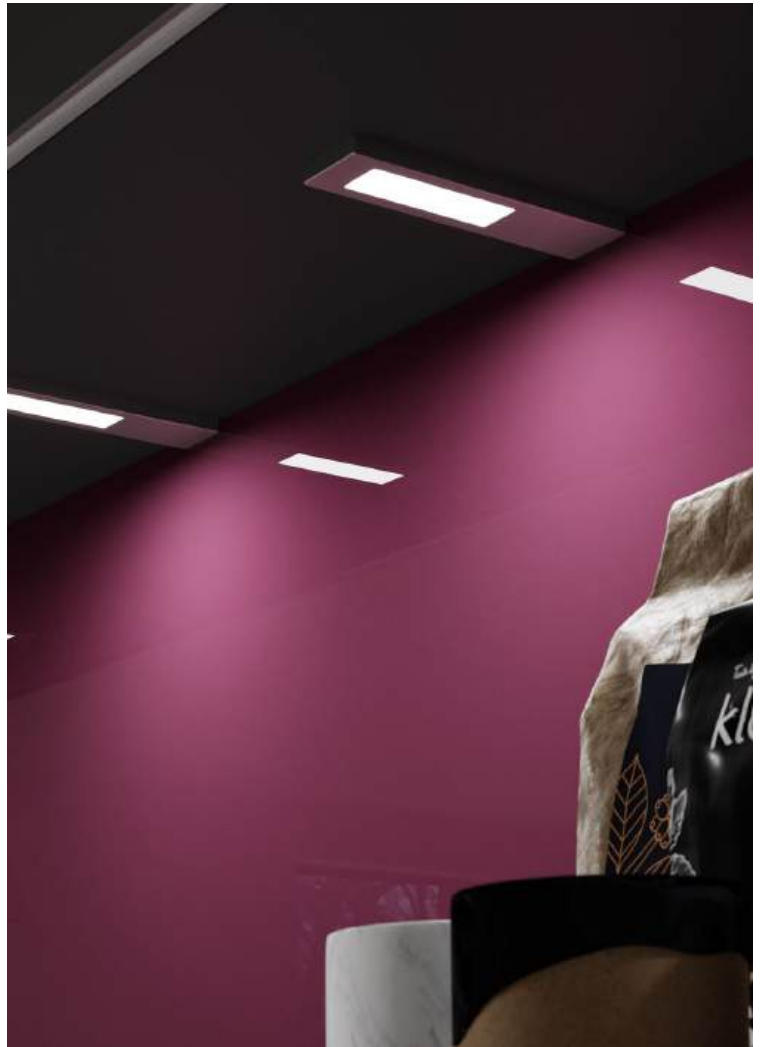
CODE	DESCRIPTION
SE9009	2500mm Extension Cable

Ark

LED Under Cabinet Light



- An elongated design offers a vast spread of light across worktops
- Fully diffused lens - no visible LED dots
- High number of LEDs for bright light output
- Easy installation using daisy chaining to fit multiple lights into one area
- Removable magnetic bezel conceals fixings for a sleek finish
- Compatible with all Sensio single-colour lighting controls



Ark LED Under Cabinet Light - **Cool White (5000K)**

CODE	LUMENS	WATTAGE	VOLTAGE	QTY	DRIVER
SE11192C0	180 lm	2.5 W	24V	1	Required
SE11192C3	180 lm	7.5 W	24V	3	15W Included

Ark LED Under Cabinet Light - **Warm White (3000K)**

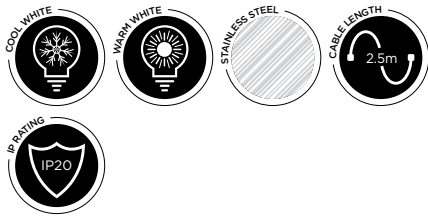
CODE	LUMENS	WATTAGE	VOLTAGE	QTY	DRIVER
SE11192W0	180 lm	2.5 W	24V	1	Required
SE11192W3	180 lm	7.5 W	24V	3	15W Included

Cables, Connectors & Accessories

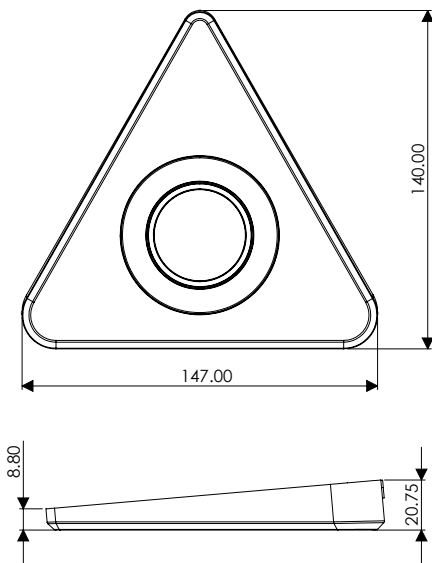
CODE	DESCRIPTION
SE9009	2500mm Extension Cable

Nexus

LED Triangle Under Cabinet Light



- Stylish, stainless steel triangular design
- Perfect under cabinet task lighting
- Fully diffused - no visible dots
- Easy to install plug and play technology
- Compatible with all Sensio single-colour lighting controls
- Available in cool white and warm white making it ideal for a range of kitchen styles



Nexus LED Light - **Cool White (5000K)**

CODE	LUMENS	WATTAGE	VOLTAGE	QTY	DRIVER
SE11090C0	180 lm	2 W	24V	1	Required
SE11090C3	180 lm	6 W	24V	3	6W Included

Nexus LED Light - **Warm White(3000K)**

CODE	LUMENS	WATTAGE	VOLTAGE	QTY	DRIVER
SE11090W0	160 lm	2 W	24V	1	Required
SE11090W3	160 lm	6 W	24V	3	6W Included

Cables, Connectors & Accessories

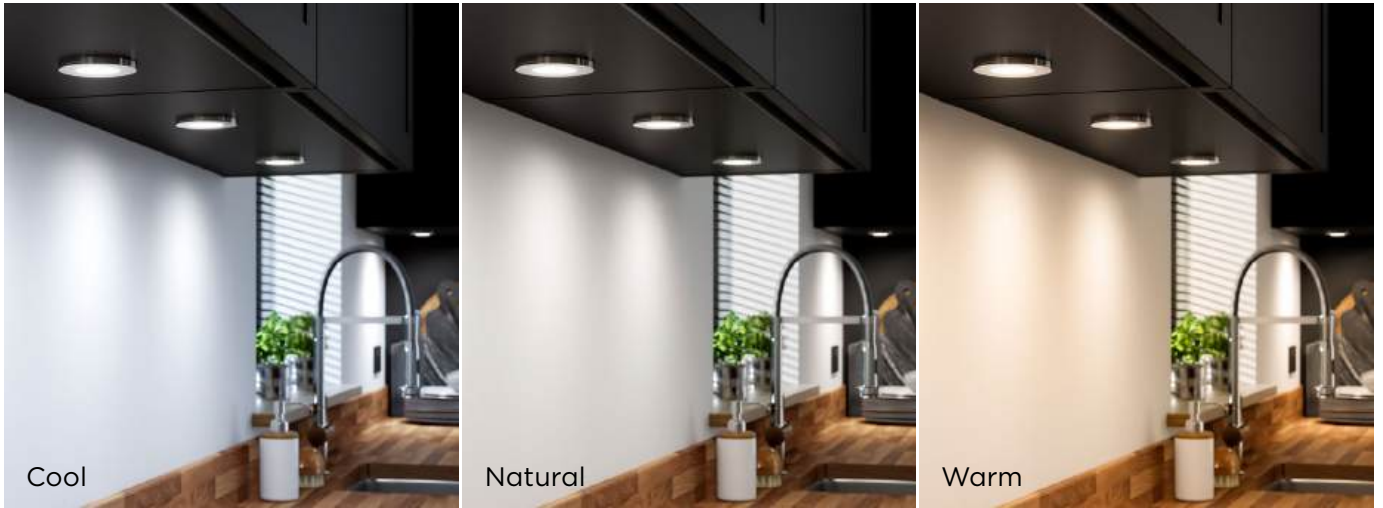
CODE	DESCRIPTION
SE9009	2500mm Extension Cable

Apex TrioTone®

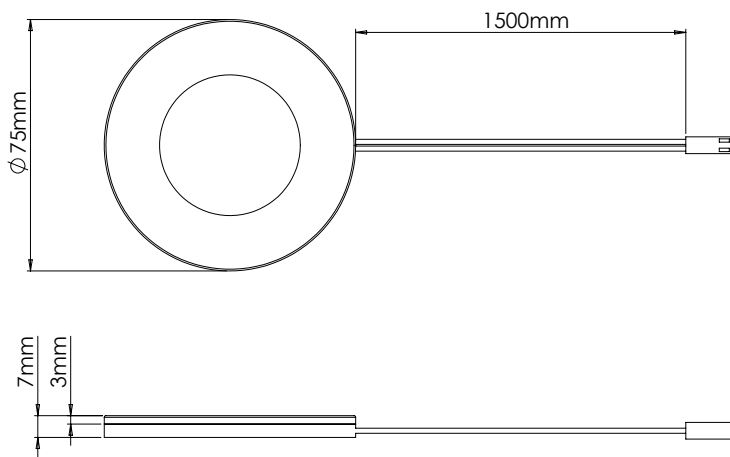
Slimline LED Under Cabinet SpotLight



- Super slimline design
- Stainless steel finish
- Magnetic mounting plate installation conceals fixings for a clean finish
- Removable collar allows for both surface mounting and recessed fitting
- Ideal for under cabinet lighting
- TrioTone® technology allows you to select cool white, natural white or warm white with a flick of the switch on the back fitting
- Diffused LEDs
- Suberb light output - CRI : 90
- Compatible with all Sensio single-colour lighting controls



Set the colour temperature of each fitting on installation to suit the worktop, style or personal preference



Apex TrioTone® Led Under Cabinet Light - **(3000K, 4000K, 5000K)**

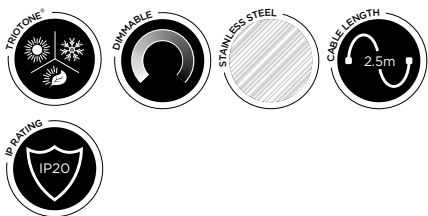
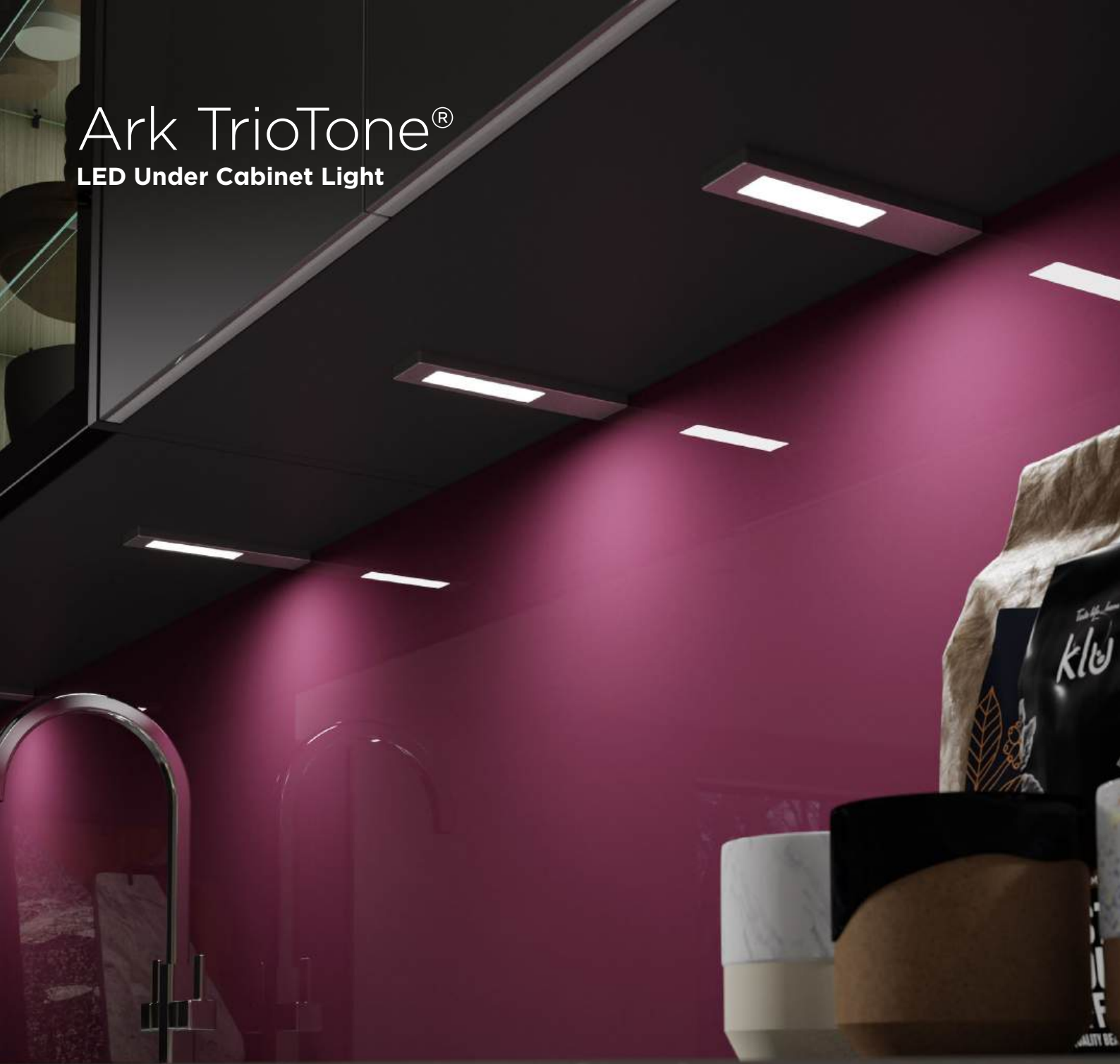
CODE	FINISH	LUMENS	WATTAGE	VOLTAGE	QTY	DRIVER
SE12090T0	Stainless Steel	100 lm	1.5 W	24V	1	Required
SE12090T3	Stainless Steel	100 lm	4.5 W	24V	3	6W Included

Cables, Connectors & Accessories

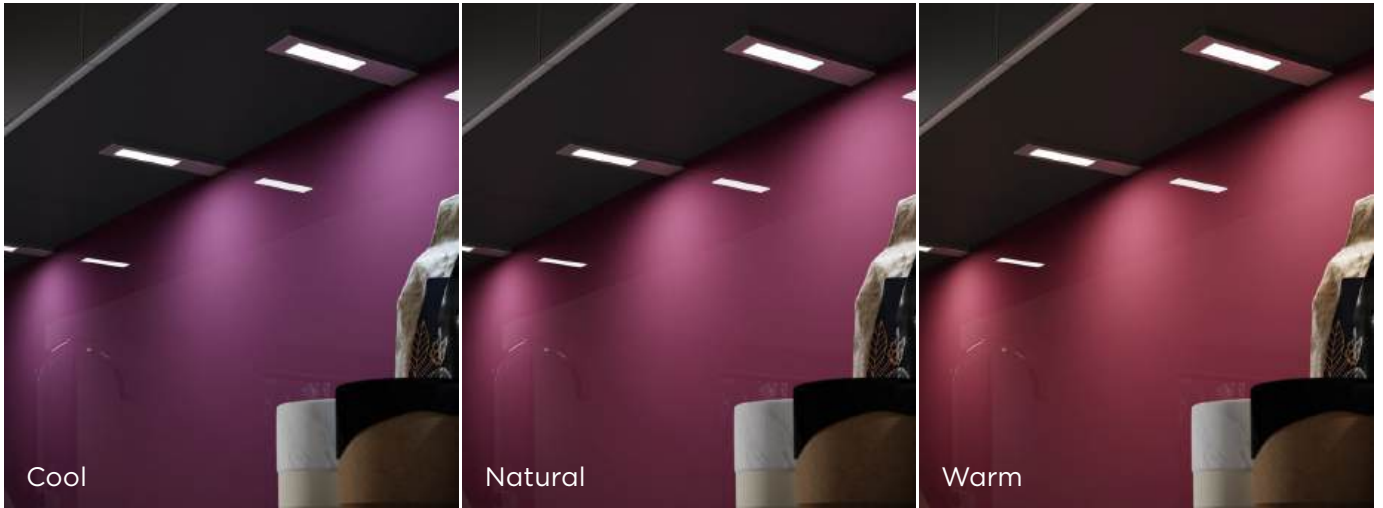
CODE	DESCRIPTION
SE910980	Black Bezel & Collar
SE9009	2500mm Extension Cable

Ark TrioTone®

LED Under Cabinet Light



- An elongated design offers a vast spread of light across worktop
- TrioTone® technology allows you to select cool white, natural white or warm white with a flick of the switch, concealed under the front bezel
- Magnetic mounting plate conceals fixings for a clean finish
- Fully diffused lens - no visible dots
- High number of LEDs for bright light output - CRI : 90
- Removable magnetic bezel conceals fixings for a sleek finish
- Easy installation using daisy chaining to fit multiple lights into one area
- Compatible with Sensio switches, single-colour receiver and Titan Smart Kinetic driver



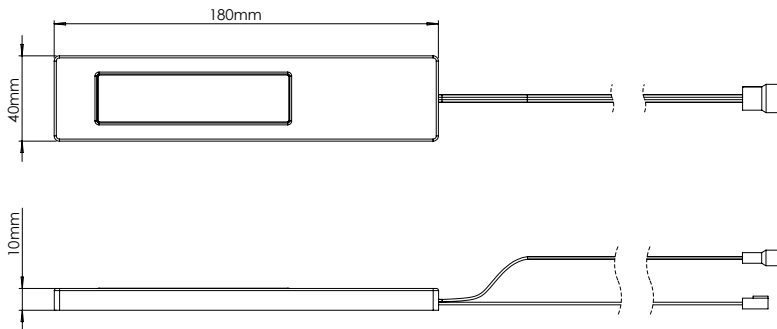
Set the colour temperature of each fitting on installation to suit the worktop, style or personal preference



Magnetic bezel - provides simple installation and conceals fixings for a seamless finish



TrioTone® switch - a simple slider located on the side of the main light unit (magnetic bezel removed)



Ark TrioTone® LED Under Cabinet Light - **(3000K, 4000K, 5000K)**

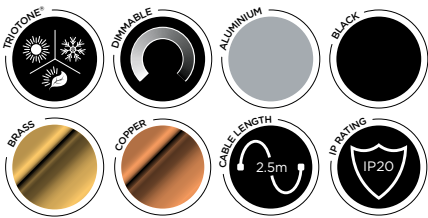
CODE	LUMENS	WATTAGE	VOLTAGE	QTY	DRIVER
SE11192T0	160-180 lm	2.5 W	24V	1	Required
SE11192T3	160-180 lm	7.5 W	24V	3	15W Included

Cables, Connectors & Accessories

CODE	DESCRIPTION
SE9009	2500mm Extension Cable

Astro TrioTone®

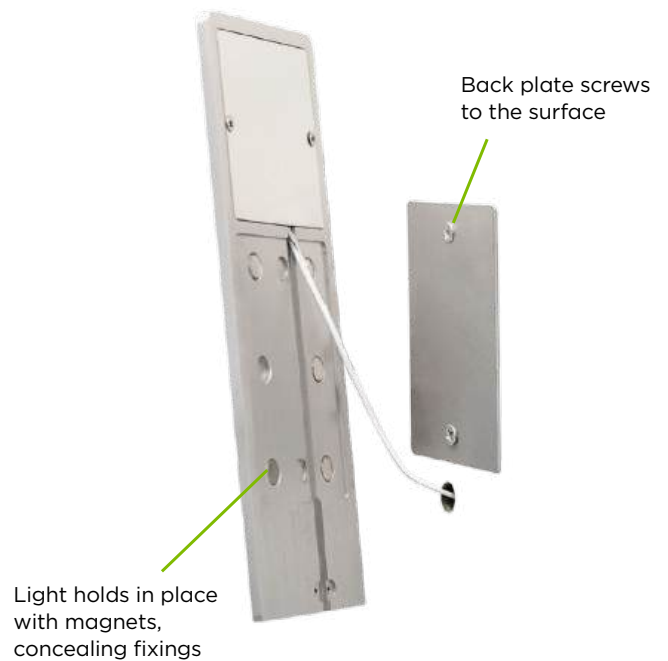
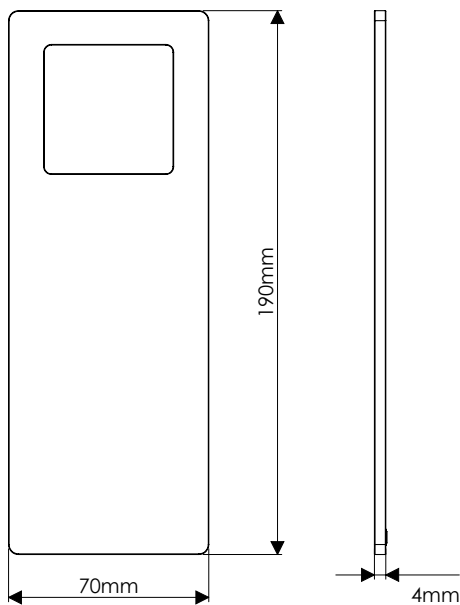
LED Under Cabinet Light



- Fully diffused with no visible LED 'dots'
- Super slimline design
- Brushed aluminium, black, brass or copper finish
- Magnetic mounting plate installation conceals fixings for a clean finish
- Ideal for under cabinet lighting
- TrioTone® technology allows you to select cool white, natural white or warm white with a flick of the switch on the back fitting
- Elongated design allows for vast spread of light across the worktop
- Suberb light output - CRI : 90
- Wide, 120° beam angle eliminates dark areas
- Simple to install
- Compatible with Sensio switches, single-colour receiver and Titan Smart Kinetic driver



Set the colour temperature of each fitting on installation to suit the worktop, style or personal preference



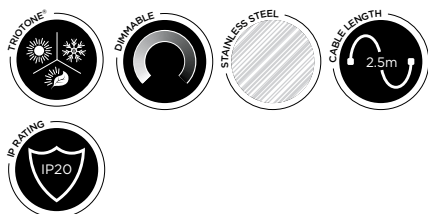
Astro TrioTone® Led Under Cabinet Light - (3000K, 4000K, 5000K)

CODE	FINISH	LUMENS	WATTAGE	VOLTAGE	QTY	DRIVER
SE11190T0.1	Brushed Aluminium	280-300 lm	4.8 W	24V	1	Required
SE11190T3.1	Brushed Aluminium	280-300 lm	14.4 W	24V	3	15W Included
SE11198T0.1	Black	280-300 lm	4.8 W	24V	1	Required
SE11198T3.1	Black	280-300 lm	14.4 W	24V	3	15W Included
SE11196T0.1	Brass	280-300 lm	4.8 W	24V	1	Required
SE11196T3.1	Brass	280-300 lm	14.4 W	24V	3	15W Included
SE11197T0.1	Copper	280-300 lm	4.8 W	24V	1	Required
SE11197T3.1	Copper	280-300 lm	14.4 W	24V	3	15W Included

Cables, Connectors & Accessories

CODE	DESCRIPTION
SE9009	2500mm Extension Cable

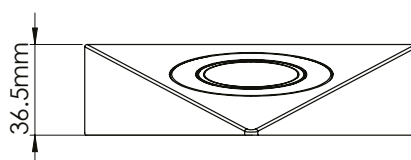
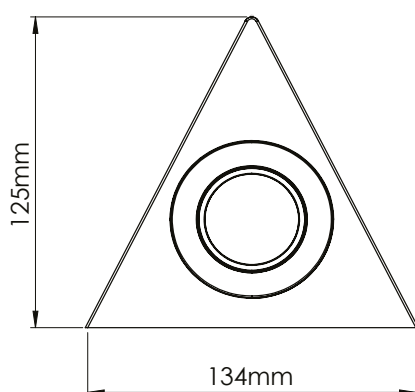
Bermuda TrioTone® LED Triangle Light



- One light, three colour temperatures
- TrioTone® technology allows you to select cool white, natural white or warm white with a flick of the switch on the back of the fitting
- Quick Connect port on the back of the fitting for easy installation
- Superb, lumen output
- Diffused light panel - no visible LED dots
- Compatible with Sensio switches, single-colour receiver and Titan Smart Kinetic driver



Registered Design Right - 6022106



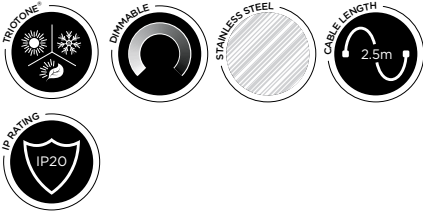
Bermuda TrioTone® HD LED Triangle Light - **(3000K, 4000K, 5000K)**

CODE	LUMENS	WATTAGE	VOLTAGE	QTY	DRIVER
SE21000	170-190 lm	2 W	24V	1	Required
SE21000K3	170-190 lm	6 W	24V	3	6W Included

Cables, Connectors & Accessories

CODE	DESCRIPTION
SE9009	2500mm Extension Cable

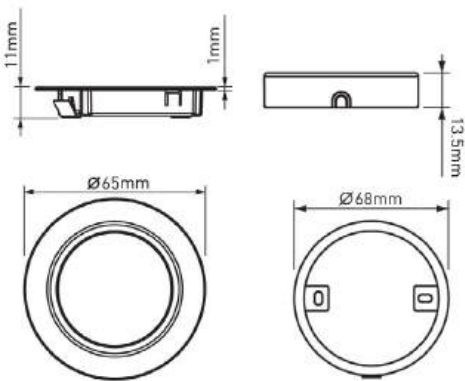
Hype TrioTone® LED Spot Light



- A simple, highly effective, stainless steel feature under cabinet light
- TrioTone® technology allows you to select cool white, natural white or warm white with a flick of the switch on the back of the fitting
- Removable collar allows for both mounted and recessed fitting
- Quick Connect port on the back of the fitting for easy installation
- Superb, lumen output
- Diffused light panel - no visible LED dots
- Dimmable (requires a suitable dimmable driver or receiver)
- Compatible with Sensio switches, single-colour receiver and Titan Smart Kinetic driver



Registered Design Right - 6022106



Routing diameter: Ø60mm for recessed installation

Hype TrioTone® LED Light - (3000K, 4000K, 5000K)

CODE	LUMENS	WATTAGE	VOLTAGE	QTY	DRIVER
SE21100	170-190 lm	2 W	24V	1	Required
SE21100K3	170-190 lm	6 W	24V	3	6W Included

Cables, Connectors & Accessories

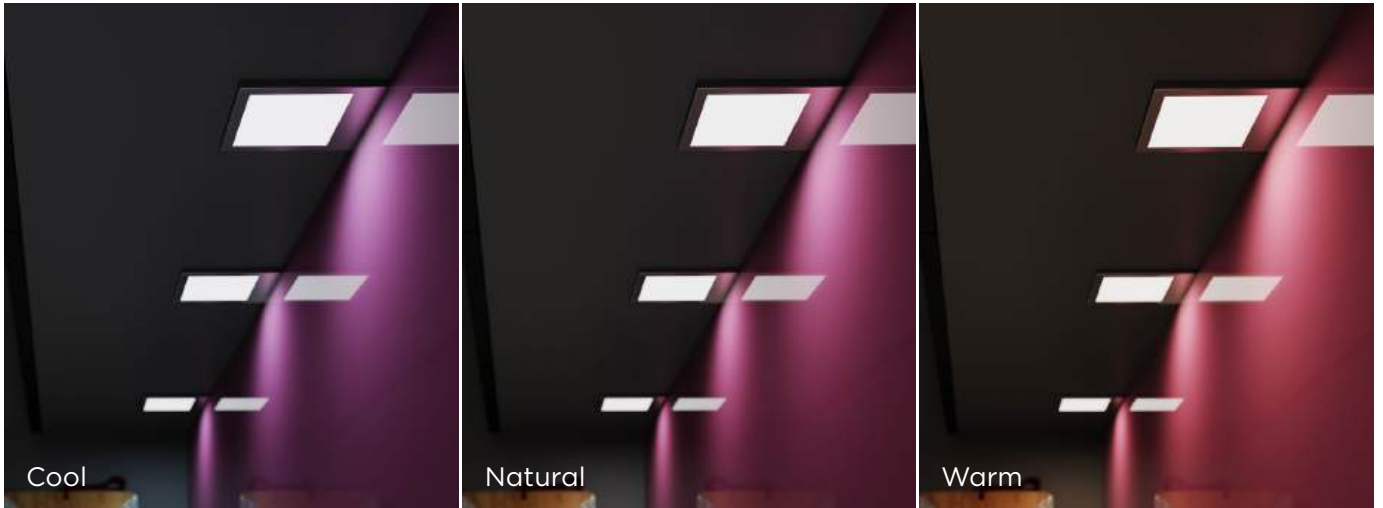
CODE	DESCRIPTION
SE9009	2500mm Extension Cable
SE970980	Black Bezel & Collar

Horizon TrioTone®

Square LED Under Cabinet Light



- A contemporary, slimline, under cabinet spot light
- TrioTone® technology allows you to select cool white, natural white or warm white with a flick of the switch , concealed under the front bezel
- Simple to install
- Removable, magnetic bezel conceals fixings for a sleek finish
- Innovative etched design completely diffuses light - no visible LED dots
- Superb lumen output for a flood of light
- Compatible with Sensio switches, single-colour receiver and Titan Smart Kinetic driver

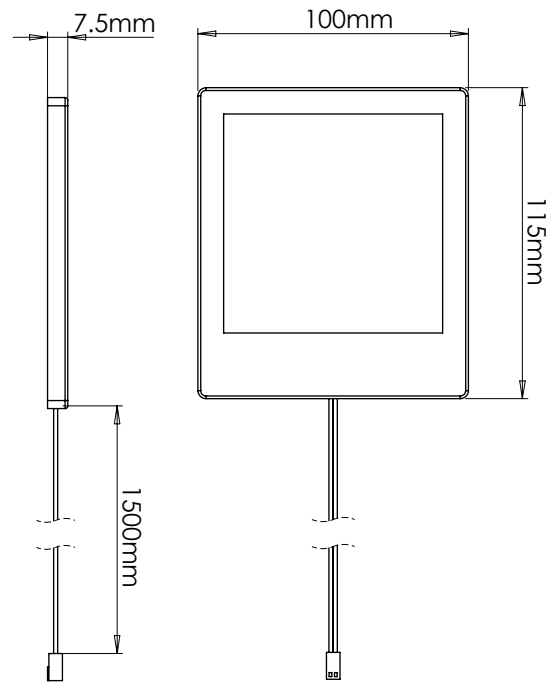


Set the colour temperature of each fitting on installation to suit the worktop, style or personal preference



Magnetic bezel slots over the light, concealing fixings and providing a seamless finish.

TrioTone® switch - a simple slider located on the main light unit (magnetic bezel removed)



Horizon TrioTone® LED Spot Light - 3000K, 4000K, 5000K

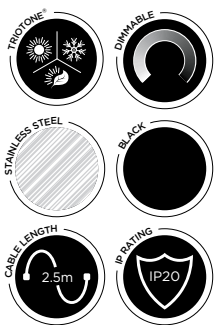
CODE	LUMENS	WATTAGE	VOLTAGE	QTY	DRIVER
SE11095T0	250 lm	3.6 W	24V	1	Required
SE11095T3	250 lm	10.8 W	24V	3	15W Included

Cables, Connectors & Accessories

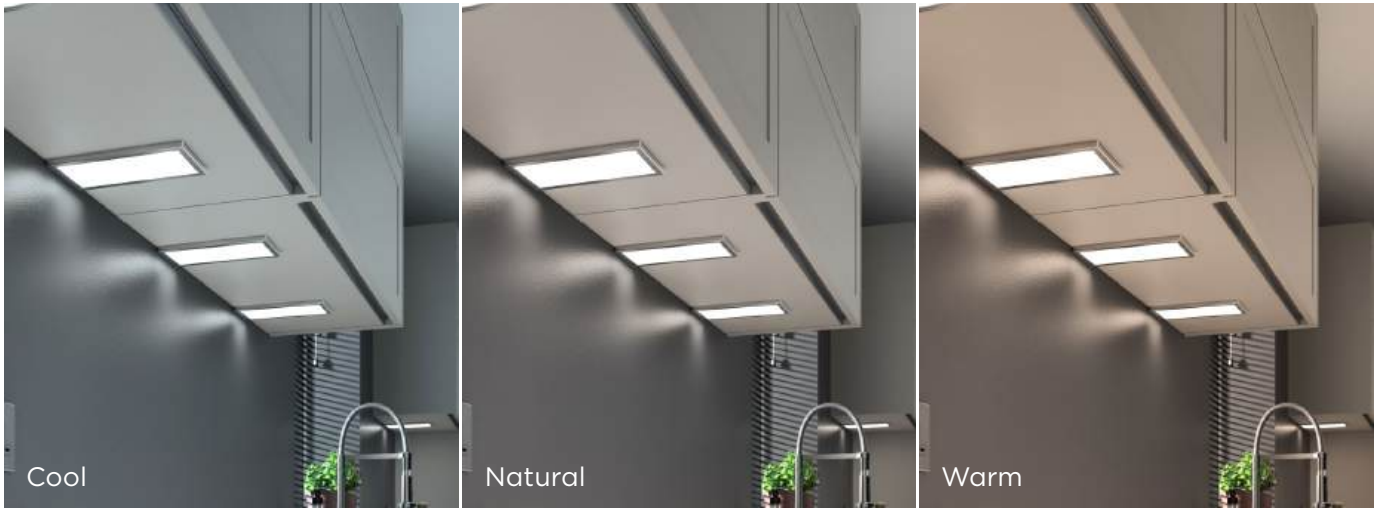
CODE	DESCRIPTION
SE9009	2500mm Extension Cable
SE911980	Black Bezel

Neo TrioTone®

LED Under Cabinet Light



- An elongated light panel to create a wide spread of light across the worktop
- TrioTone® technology allows you to select cool white, natural white or warm white with a flick of the switch underneath the front bezel of the fitting
- Featuring Prismatic LED technology
- Contains an innovative diffuser with an etched design to completely diffuse the light
- No visible LED dots reflect off the worktop
- Superb, bright light output - CRI : 90
- Dimmable (requires a suitable dimmable driver or receiver)
- Removable front bezel simplifies installation and hides fixings
- Plug & Play connection
- Slim depth of just 10mm
- Compatible with Sensio switches, single-colour receiver and Titan Smart Kinetic driver

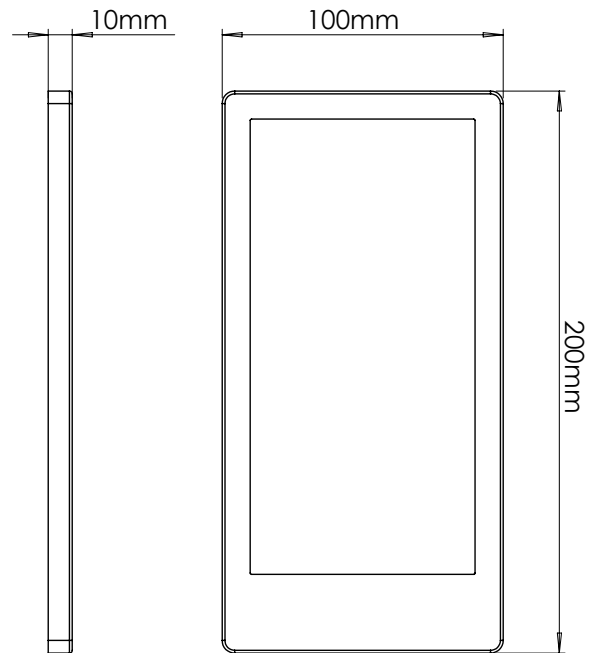


Set the colour temperature of each fitting on installation to suit the worktop, style or personal preference



Magnetic bezel slots over the light, concealing fixings and providing a seamless finish.

TrioTone® switch - a simple slider located on the main light unit (magnetic bezel removed)



Neo TrioTone® LED Light - **Stainless Steel - (3000K, 4000K, 5000K)**

CODE	LUMENS	WATTAGE	VOLTAGE	QTY	DRIVER
SE11590T0	240-280 lm	4.8 W	24V	1	Required
SE11590T3	240-280 lm	14.4 W	24V	3	Included



Cables, Connectors & Accessories

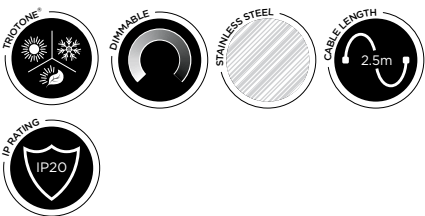
CODE	DESCRIPTION
SE9009	2500mm Extension Cable
SE91598N0	Black Bezel

SE9009
2500mm
Extension
cable

SE115998
2 Bezel
Accessory
Kit

Nexus TrioTone®

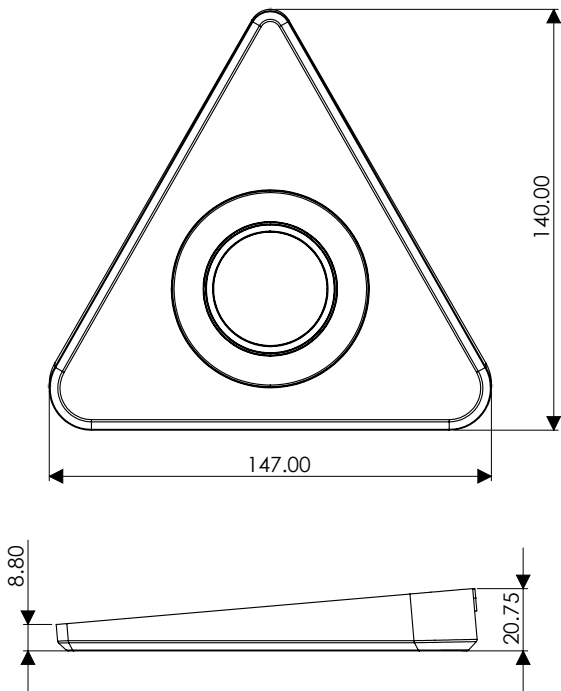
LED Triangle Under Cabinet Light



- A temperature colour changing version and cousin to the single colour Nexus
- TrioTone® technology allows you to select cool white, natural white or warm white with a flick of the switch on the back of the fitting
- Fully diffused - no visible LED dots
- Easy to install plug and play technology
- Compatible with Sensio switches, single-colour receiver and Titan Smart Kinetic driver



Set the colour temperature of each fitting on installation to suit the worktop, style or personal preference



Nexus TrioTone® LED Light - **(3000K, 4000K, 5000K)**

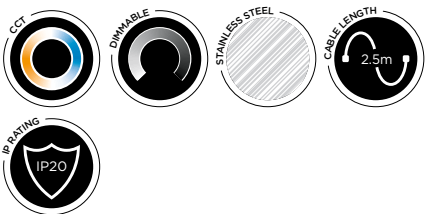
CODE	LUMENS	WATTAGE	VOLTAGE	QTY	DRIVER
SE11090T0	170-190 lm	2 W	24V	1	Required
SE11090T3	170-190 lm	6 W	24V	3	6W Included

Cables, Connectors & Accessories

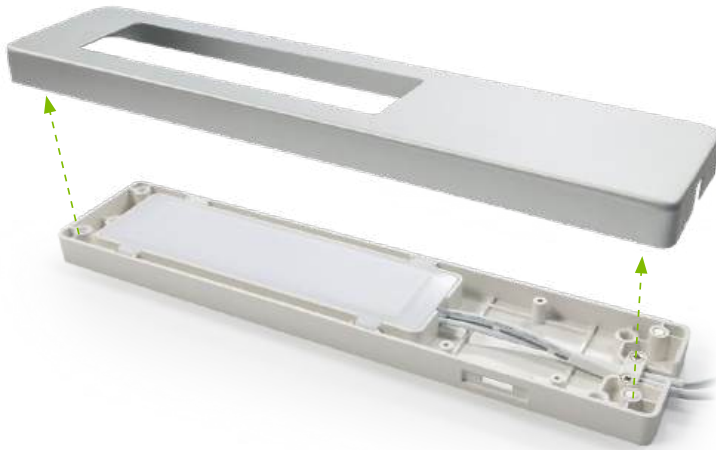
CODE	DESCRIPTION
SE9009	2500mm Extension Cable

Ark Pro

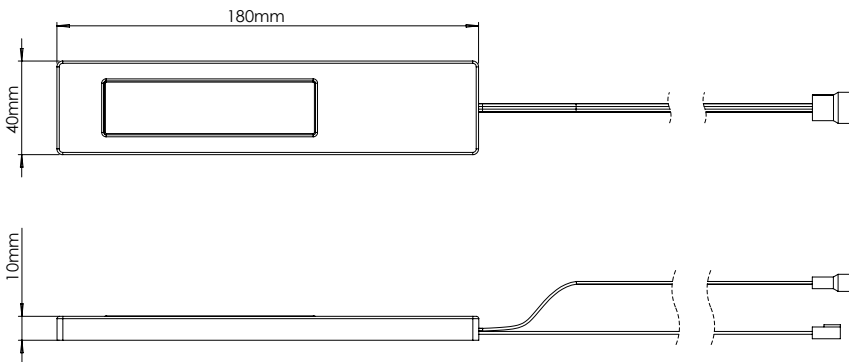
CCT LED Under Cabinet Light



- Ideal for under cabinet lighting
- Removable front bezel provides simple installation, hidden fixings and a sleek finish
- Multiple fittings can be daisy chained for easy installation
- Correlated Colour Temperature (CCT) allows the perfect light temperature selection and transition from warm to cool white temperatures
- Diffused light panel - no visible dots
- Dimmable
- High light output - CRI : 90
- Control with the CCT Receiver and Remote Control, or Titan Smart Kinetic Driver and Link Sensio App (sold separately)



Magnetic bezel slots over the light, concealing fixings and providing a seamless finish.



Ark Pro - CCT LED Light (2700-6000K)

CODE	LUMENS	WATTAGE	VOLTAGE	QTY	DRIVER
SE11192P0	160-180 lm	2.5 W	24V	1	Required
SE11192P3*	160-180 lm	7.5 W	24V	3	15W Included
SE11192PS3**	160-180 lm	7.5W	24V	3	15W Included

*SE11192P3 includes 3x Ark Pro, 15W Driver, CCT Receiver & Universal Remote Control

** SE11192PS3 Smart Kit includes 3x Ark Pro & 15W CCT Titan Smart Kinetic Driver

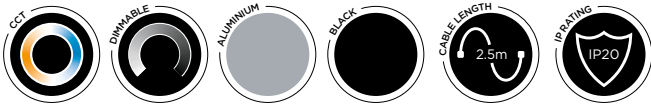
Cables, Connectors & Accessories

CODE	DESCRIPTION
SE770390	Universal Remote
SE771990	CCT Receiver
SE90010	2500mm CCT Extension Lead

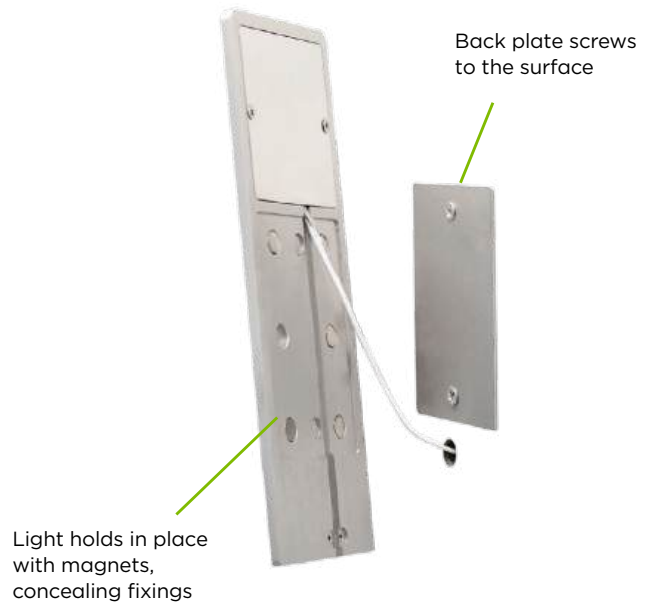
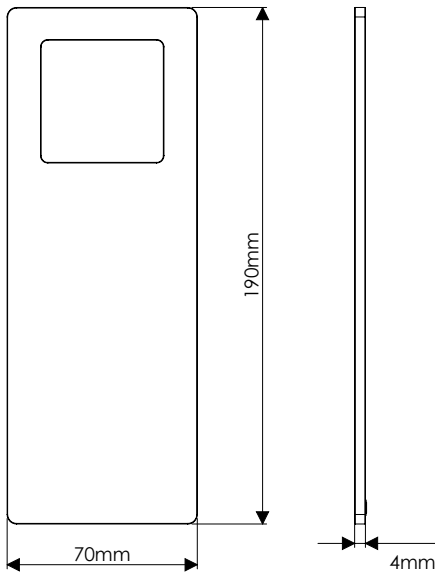
Astro Pro

CCT LED Under Cabinet Light





- Fully diffused with no visible LED 'dots'
- Super slimline design
- Brushed aluminium or black finish
- Magnetic mounting plate installation conceals fixings for a clean finish
- Correlated Colour Temperature (CCT) allows the perfect light temperature selection and transition from warm to cool white temperatures
- Elongated design allows for vast spread of light across the worktop
- Suberb light output - CRI: 90
- Wide, 120° beam angle eliminates dark areas
- Simple to install
- Control with the CCT Receiver and Remote Control, or Titan Smart Kinetic Driver and Link Sensio App (sold separately)



Astro Pro - CCT Under Cabinet Light (2700K - 6000K)

CODE	FINISH	LUMENS	WATTAGE	VOLTAGE	QTY	DRIVER
SE11190P0.1	Brushed Aluminium	240-270 lm	4.8 W	24V	1	Required
SE11198P0.1	Black	240-270 lm	4.8 W	24V	1	Required
SE11190PS3.1	Brushed Aluminium	240-270 lm	14.4 W	24V	3	*Smart Kit
SE11198PS3.1	Black	240-270 lm	14.4 W	24V	3	*Smart Kit

*Smart Kit - includes: 3x Astro Pro and 1x 15W CCT Titan Smart Kinetic Driver

Cables, Connectors & Accessories

CODE	DESCRIPTION
SE770390	Universal Remote Control
SE771990	CCT Receiver
SE90010	2500mm CCT Extension Lead

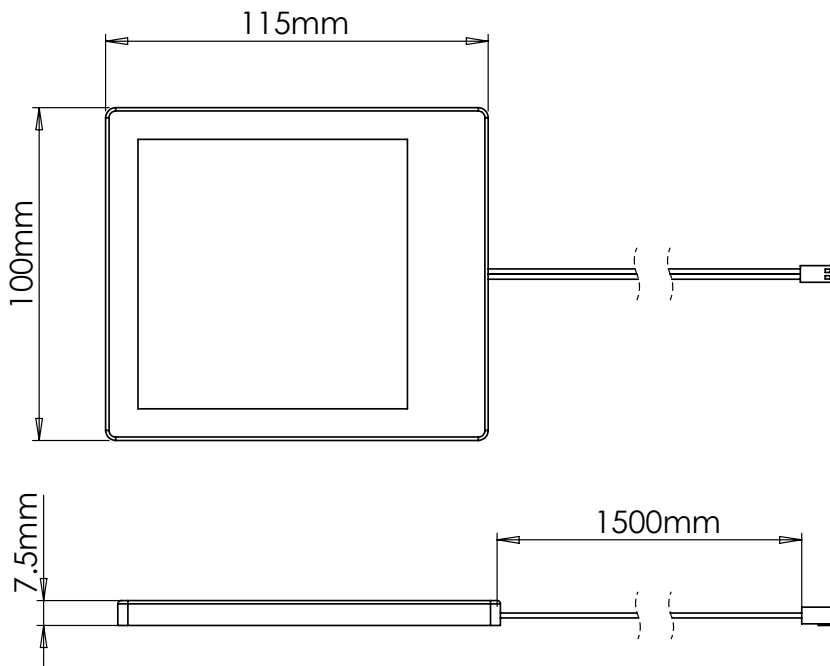
Horizon Pro

CCT Square LED Under Cabinet Light





- A contemporary, slimline, under cabinet spot light
- Correlated Colour Temperature (CCT) allows the perfect light temperature selection and transition from warm to cool white temperatures
- Simple to install
- Removable, magnetic bezel conceals fixings for a sleek finish
- Innovative etched design completely diffuses light - no visible LED dots
- Superb lumen output for a flood of light
- Compatible with Sensio switches, CCT receiver and dimmable driver
- Control with the CCT Receiver and Remote Control, or Titan Smart Kinetic Driver and Link Sensio App (sold separately)



Horizon Pro - **CCT LED Under Cabinet Light (2700K - 6000K)**

CODE	LUMENS	WATTAGE	VOLTAGE	QTY	DRIVER
SE11095PO	319 lm	3.6 W	24V	1	Required
SE11095PSK3*	319 lm	10.8 W	24V	3	Included

*Smart Kit: 15W CCT Titan Smart Kinetic Driver included

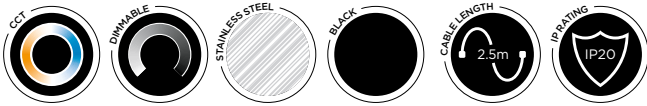
Cables, Connectors & Accessories

CODE	DESCRIPTION
SE90010	2500mm CCT Extension Lead
SE911980	Black Bezel

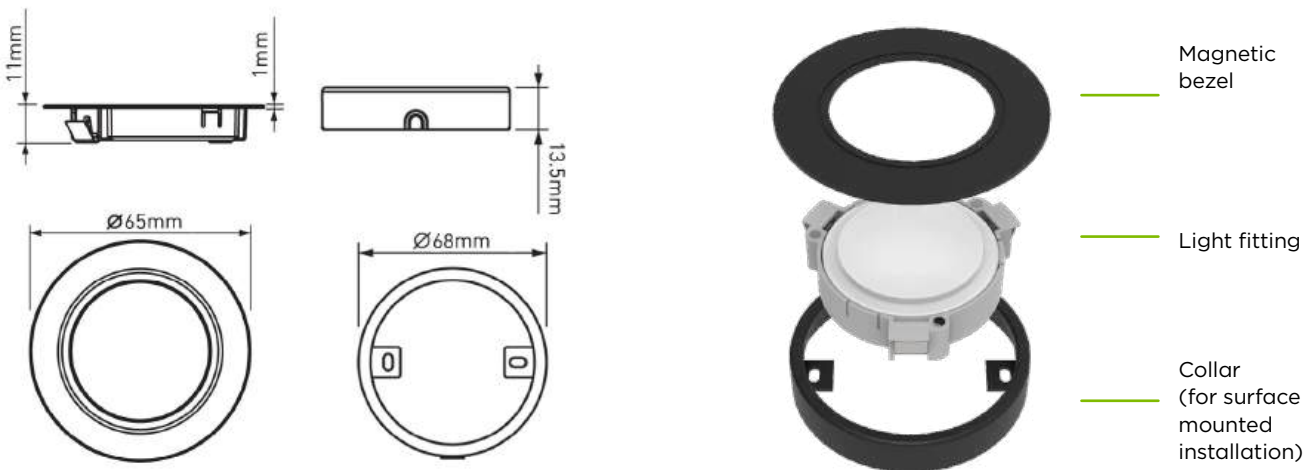
Hype R Pro

CCT LED Surface / Recessed Spot Light

Registered Design Right - 6117745



- Position every 500mm for a stylish, stainless steel feature under cabinet light
- Correlated Colour Temperature (CCT) allows the perfect light temperature selection and transition from warm to cool white temperatures
- Removable collar allows for both mounted and recessed fitting
- Stainless steel bezel can be removed and replaced with the black bezel and collar (sold separately)
- Quick Connect port on the back of the fitting for easy installation
- Superb, lumen output
- Diffused light panel - no visible LED dots
- Control with the CCT Receiver and Remote Control, or Titan Smart Kinetic Driver and Link Sensio App (sold separately)



Routing diameter: Ø60mm for recessed installation

Hype R Pro - CCT LED Spot Light (2700K - 6500K)

CODE	LUMENS	WATTAGE	VOLTAGE	QTY	DRIVER
SE90150P0	231-243 lm	2 W	24V	1	Required

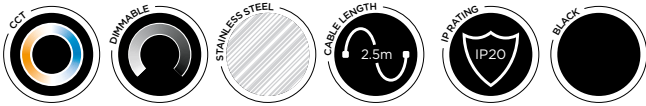
Cables, Connectors & Accessories

CODE	DESCRIPTION
SE90010	2500mm CCT Extension Lead
SE770390	Universal Remote
SE771990	CCT Receiver
SE970980	Black Bezel & Collar

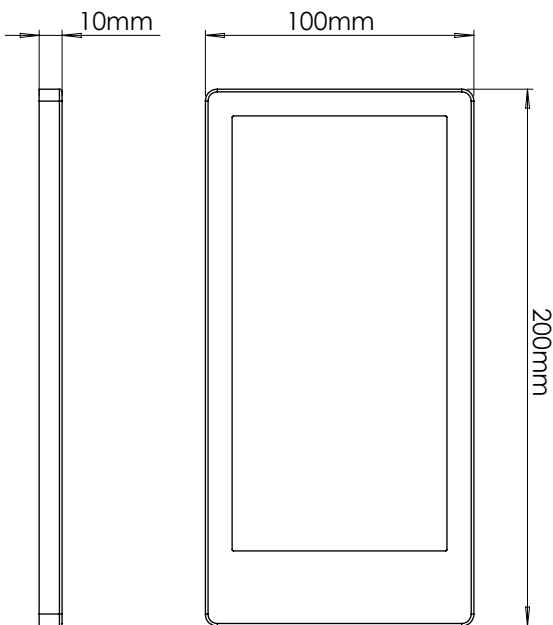
Neo Pro

CCT LED Under Cabinet Light





- An elongated light panel to create a wide spread of light across the worktop
- Full diffused LEDs for soft and even illumination
- No visible diodes reflect off the worktop
- Control with the CCT Receiver and Remote Control, or Titan Smart Kinetic Driver and Link Sensio App (sold separately)
- Correlated Colour Temperature (CCT) allows the perfect light temperature selection and transition from warm to cool white temperatures
- Dimmable
- Removable, magnetic front bezel simplifies installation and hides fixings
- Plug & Play connection
- Slim depth of just 10mm
- Multiple fittings can be daisy chained together for simple installation



Neo Pro - CCT LED Light (2700K-6000K)

CODE	LUMENS	WATTAGE	VOLTAGE	QTY	DRIVER
SE11590PO	290-310 lm	4.8 W	24V	1	Required
SE11590P3*	290-310 lm	14.4 W	24V	3	15W Included
SE11590PS3**	290-310 lm	14.4 W	24V	3	15W Included

*SE11590P3 includes 3x Neo Pro, 15W Driver, CCT Receiver & Universal Remote Control

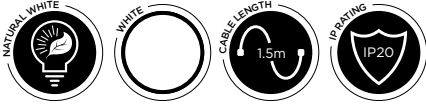
**SE11590PS3 Smart Kit includes 3x Neo Pro & 15W Titan Smart Kinetic Driver

Cables, Connectors & Accessories

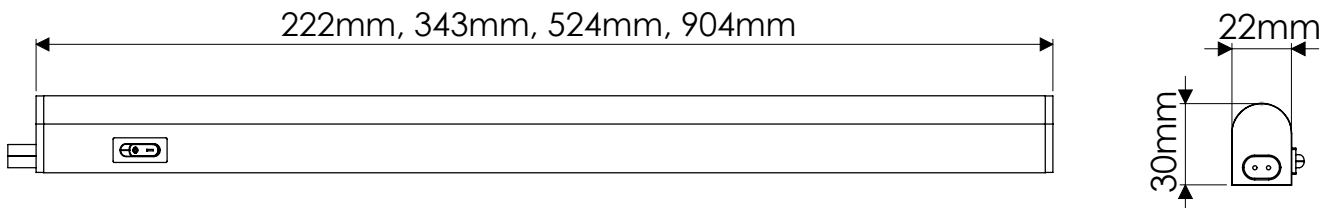
CODE	DESCRIPTION
SE90010	2500mm CCT Extension Lead
SE770390	Universal Remote
SE771990	CCT Receiver
*SE91598NO	Black Bezel

Axis

240V LED Strip Light



- Ideal for under cabinet task lighting
- Diffused casing - no visible LED dots
- Available in 4 lengths ranging between 222mm and 904mm
- Can be interlinked with the integrated connector to achieve the optimum run of light
- Supplied with 1500mm of bare ended mains cable for simple installation
- Can be wired into a mains wall switch for easy control or operated individually by a simple rocker switch
- Joining cables (sold separately) allow for corner connections and intermittent runs
- Available in natural white making it ideal for a range of kitchen styles



Axis 240V LED Strip Light - Natural White (4000K)

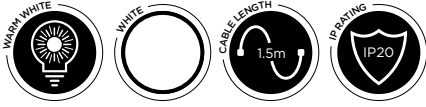
CODE	LENGTH	LUMENS	WATTAGE	VOLTAGE	QTY
SE10019N0	222 mm	300 lm	3 W	240V	1
SE10029N0	343 mm	500 lm	5 W	240V	1
SE10079N0	524 mm	800 lm	8 W	240V	1
SE10099N0	904 mm	1600 lm	16 W	240V	1

Cables, Connectors & Accessories

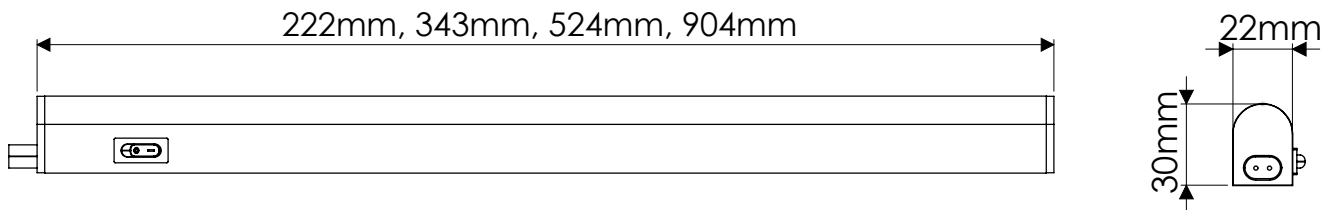
CODE	DESCRIPTION
SE101290	Joining Cable - 500mm

Connex

240V LED Strip Light



- Ideal for under cabinet task lighting
- Diffused casing - no visible LED dots
- Mains powered
- Available in 4 lengths ranging between 222mm and 904mm
- Can be interlinked with the integrated connector to achieve the optimum run of light
- Supplied with 1500mm of bare ended mains cable for simple installation
- Can be wired into a mains wall switch for easy control or operated individually by a simple rocker switch
- Joining cables (sold separately) allow for corner connections and intermittent runs
- Available in warm white making it particularly suited to traditional kitchen styles



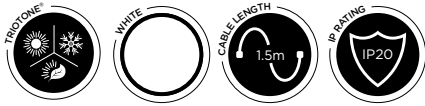
Connex 240V LED Strip Light - **Warm White (3000K)**

CODE	LENGTH	LUMENS	WATTAGE	VOLTAGE	QTY
SE100190	222 mm	300 lm	3 W	240V	1
SE100290	343 mm	500 lm	5 W	240V	1
SE100790	524 mm	800 lm	8 W	240V	1
SE100990	904 mm	1600 lm	16 W	240V	1

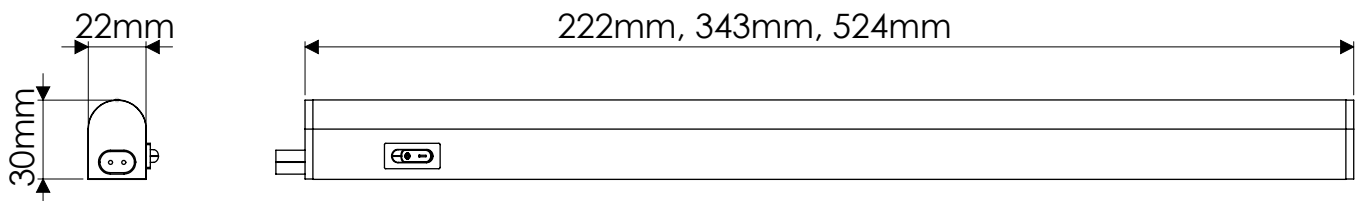
Cables, Connectors & Accessories

CODE	DESCRIPTION
SE101290	Connex Joining Cable - 500mm

Connex TrioTone® 240V LED Strip Light



- Ideal for under cabinet task lighting
- One light, three colour temperatures
- Select cool white, natural white or warm white using the integrated rocker switch
- Diffused casing - no visible LED dots
- Mains powered
- Available in 4 lengths ranging between 343mm and 904mm
- Can be interlinked directly or by using joining cable for spacing & corners to achieve optimum run of lights
- Supplied with 1500mm of bare ended mains cable for simple installation
- Can be wired into a mains wall switch for easy control or operated individually by a simple rocker switch
- Joining cables (sold separately) allow for corner connections and intermittent runs



Connex TrioTone® 240V LED Strip Light - **3000K, 4000K, 5000K**

CODE	LENGTH	LUMENS	WATTAGE	VOLTAGE	QTY
SE100490	343 mm	95 lm/m	5 W	240V	1
SE100590	524 mm	95 lm/m	9 W	240V	1
SE100690	623 mm	95 lm/m	12 W	240V	1

Cables, Connectors & Accessories

CODE	DESCRIPTION
SE101290	Connex Joining Cable - 500mm

Corner Pantry Pack

LED Lighting Kit



- A full pack of complimentary products to illuminate corner pantry units
- Includes both a spot light to cast light downwards from the top and a flexible strip to install inside the door frame to illuminate the shelving

Contains

- 1x Zeta - stainless steel under cabinet spotlight
- 1x Dart - 5m reel flexible LED strip
- 1x Link-S - door sensor with additional switch for double doors
- 1x 30W Titan Driver - powers the lighting with pre-wired 13A plug

Corner Pantry Pack - **Natural White (4500K) Lighting Kit**

CODE	TOTAL WATTAGE	VOLTAGE
SE13195N0	20 W	24 V

PLINTH SPOTLIGHTS

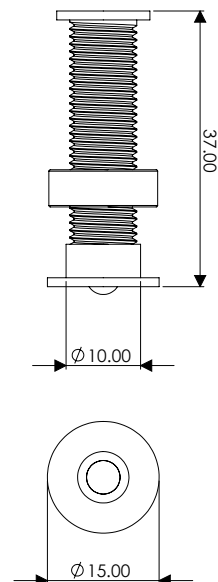
- Adds dimension and depth to the room
- Soft and unobtrusive, plinth lighting creates ambience
- Often an overlooked aspect of kitchen lighting, its impact can be extraordinary!



Iris LED PLINTH LIGHT



- A stylish, discreet fitting ideal for plinth boards or in the bathroom (Zone 2)
- Easy Plug & Play technology
- Fittings can be daisy chained for simple installation
- 2 x 750mm cable per fitting for daisy chain connection
- Available individually or as a pack of 4 (including the Titan driver and a 3 pin plug)
- IP44 rated - protected against solid objects over 12mm (e.g. fingers) and protected against water drops at a 15 degree angle from the vertical
- Available in natural white making it ideal for a range of kitchen styles



Routing diameter: Ø10mm

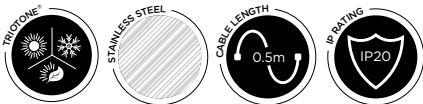
Iris LED Plinth Light - Natural White (4000K)

CODE	LUMENS	WATTAGE	VOLTAGE	QTY	DRIVER
SE15990N0	5 lm PF*	0.32 W	24V	1	Required
SE15990N4	5 lm PF*	1.28 W	24V	4	6W Included

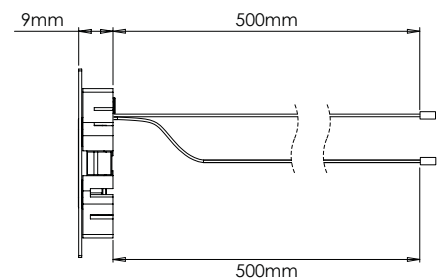
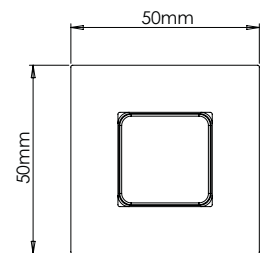
*PF = per fitting

Luce TrioTone®

LED Square Plinth Light



- One light, three colour temperatures
- TrioTone® technology allows you to select cool white, natural white or warm white with a flick of the switch on the back of the fitting
- Super thin, stainless steel square plinth lights
- Sits flush to the plinth board
- Diffused, integrated LEDs - no visible spots
- Easy to install
- Fittings can be daisy chained for simple installation
- Available individually or as a pack of 4



Routing diameter: Ø44mm

Luce TrioTone® LED Square Plinth Light - **3000K, 4000K, 5000K**

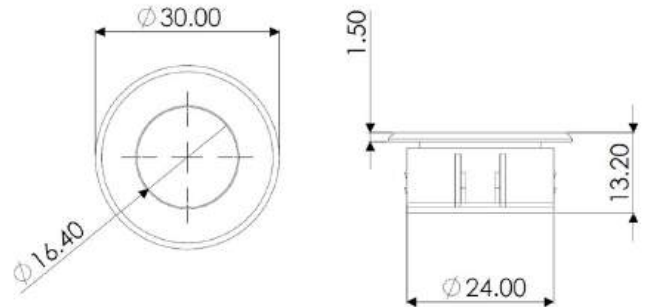
CODE	LUMENS	WATTAGE	VOLTAGE	QTY	DRIVER
SE15090T0	20 lm	0.6 W	24V	1	Required
SE15090T4	20 lm*	2.4 W	24V	4	6W Included

*Per fitting

Halo TrioTone® Plinth Light



- Ideal for use on kitchen plinth boards
- One light, three colour temperatures
- TrioTone® technology allows you to select cool white, natural white or warm white with a push of the button on the back of the fitting
- Diffused cover means no visible LEDs
- Easy to install
- Fittings can be daisy chained for simple installation
- Available individually or as a pack of 4
- IP44 rated - protected against solid objects over 12mm (e.g. fingers) and protected against water drops at a 15 degree angle from the vertical



Routing diameter: Ø25mm

* Zone 2 - the area stretching to 60cm outside of the bath or shower and 60cm from water outlet of sink.

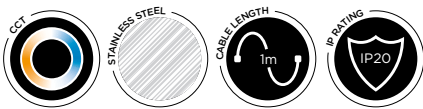
Halo TrioTone® Plinth Light - (3000K, 4000K, 5000K)

CODE	FINISH	LUMENS	WATTAGE	VOLTAGE	QTY	DRIVER
SE150000	Stainless Steel	32-35 lm	0.5 W	24V	1	Required
SE150004	Stainless Steel	32-35 lm PF*	2 W	24V	4	6W Included
SE150080	Black	32-35 lm	0.5 W	24V	1	Required
SE150084	Black	32-35 lm PF*	2 W	24V	4	6W Included

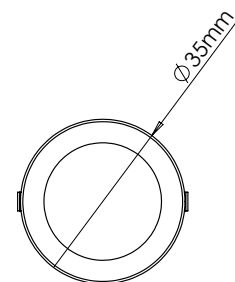
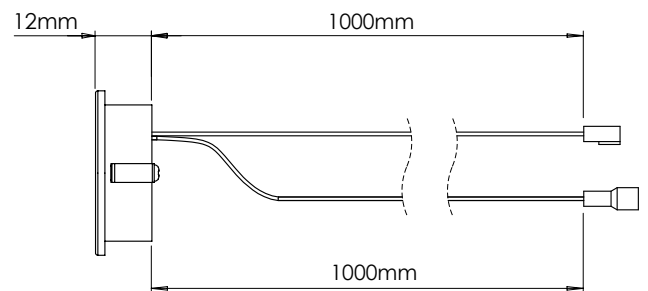
*PF = Per fitting

Stellar Pro

CCT Plinth Light



- A sleek and striking plinth light
- Large 35mm diameter and stainless steel rim
- Correlated Colour Temperature (CCT) allows the perfect light temperature selection and transition from warm to cool white temperatures
- Fully diffused lens - no visible LEDs
- Fittings can be daisy chained for simple installation
- IP20 rated - protected against solid objects over 12mm (e.g. fingers) and protected against water drops at a 15 degree angle from the vertical
- Activate and control with the CCT Receiver and Remote Control, or Titan Smart Kinetic Driver (sold separately) and Free Link Sensio App



Routing diameter: Ø32mm

Stellar Pro - CCT LED Plinth Light (2700K - 6000K)

CODE	LUMENS	WATTAGE	VOLTAGE	QTY	DRIVER
SE15190PO	60 lm/PF*	1.5 W	24V	1	Required
SE15190PS4	60 lm/PF*	6 W	24V	4	**Smart Kit
SE15190PS10	60 lm/PF*	15 W	24V	10	**Smart Kit

*PF = Per fitting

**Smart Kit: 15W CCT Titan Smart Kinetic Driver included

BATTERY, DRAWER & WARDROBE LIGHTING

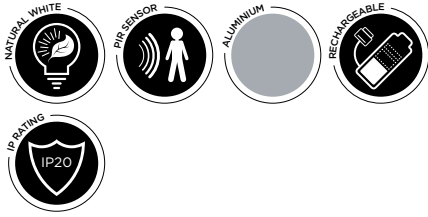
- Simple convenience lighting to illuminate dark spots in wardrobes and cupboards
- Illuminate the contents of your wardrobe in the dark without needing to turn the main room lighting on
- Low energy consumption while creating maximum impact



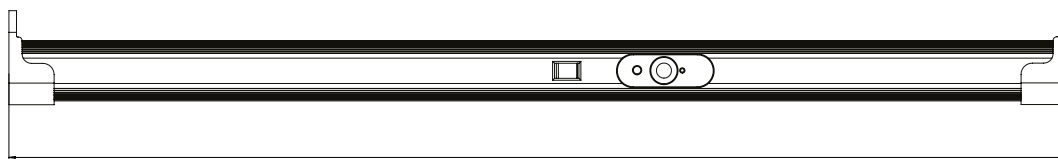
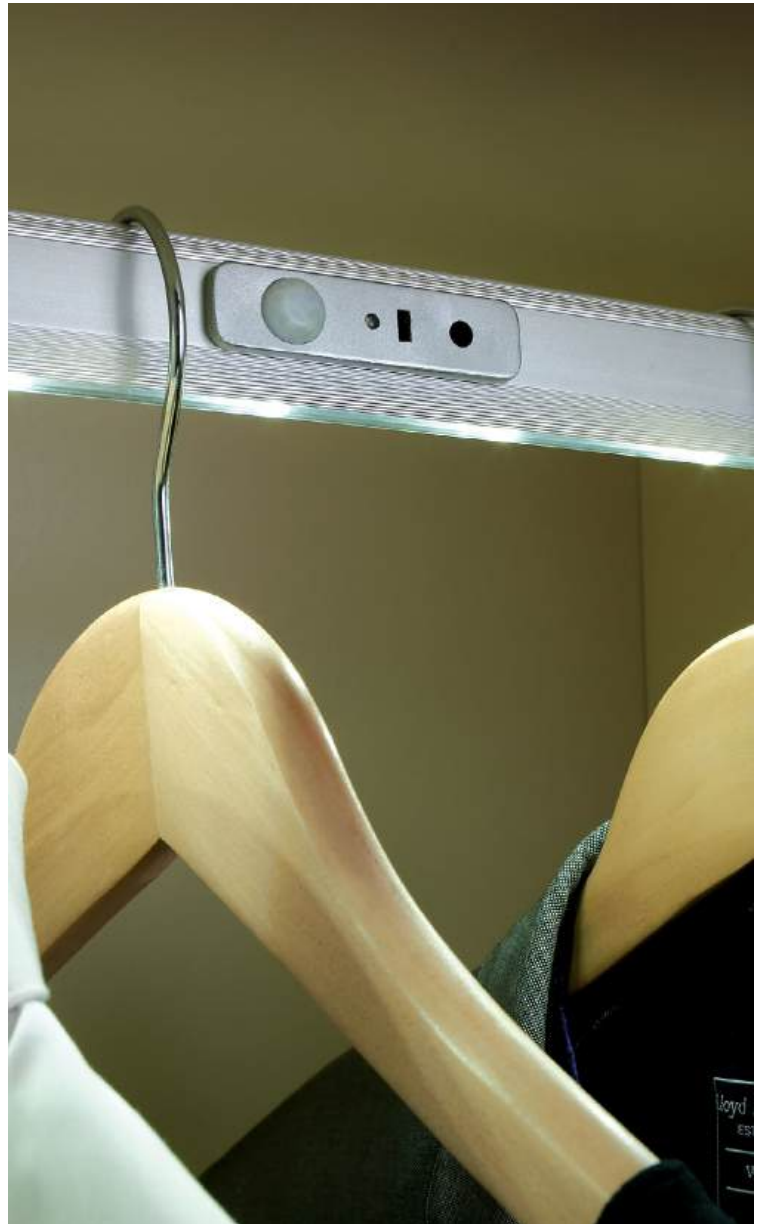


Alto

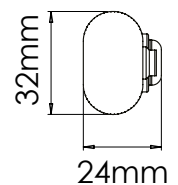
LED Wardrobe Rail Light



- Aluminium wardrobe rail light with anti-slip design
- Easy retro fit design & no electrical installation required
- Integrated PIR sensor activates the lights when wardrobe door opens
- Light will remain on for 30 seconds then switch off if no motion is detected
- Contains rechargeable lithium-ion battery
- 6.5 months battery power based on 2.5 minutes usage per day
- Average charging time is 5.5 hours
- Can be cut to length
- Load bearing capacity 20kg
- Side mounting bracket set included
- USB charger sold separately



562/962mm



Alto LED Wardrobe Rail Light - **Natural White (4500K)**

CODE	LENGTH	LEDS	LUMENS	WATTAGE	QTY
SE53202C0	962mm	19pcs	95 lm	1 W	1

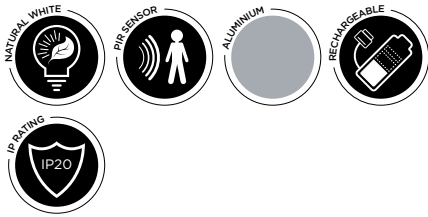
Minimum Order Quantity (MOQ) of 200 units applies

Cables, Connectors & Accessories

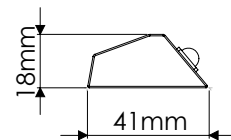
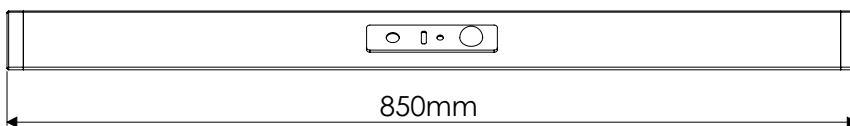
CODE	DESCRIPTION
03.2005.0800	USB adapter with 5m USB to pin cable

Incline

LED Wardrobe Strip Light



- Suitable for use in a wardrobe or kitchen cabinet to illuminate the space
- Easy retro fit design & no electrical installation required
- Integrated PIR sensor activates the lights when wardrobe door opens
- Light will remain on for 30 seconds then switch off if no motion is detected
- Contains rechargeable lithium-ion battery
- 6.5 months battery power based on 2.5 minutes usage per day
- Average charging time is 4.5 hours
- USB charger sold separately



Incline LED Wardrobe Strip Light - **Natural White (4500K)**

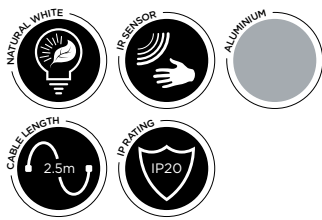
CODE	LENGTH	LEDS	LUMENS	WATTAGE	QTY
SE20242CO	350mm	6pcs	27 lm	0.4 W	1
SE20252CO	550mm	10pcs	48 lm	0.6 W	1

Minimum Order Quantity (MOQ) of 250 units applies

Cables, Connectors & Accessories

CODE	DESCRIPTION
SE2007000	USB adapter with 5m USB to micro USB

Verso LED Drawer Light



- High definition LED drawer light perfect for both kitchen and bedroom drawers
- Integrated IR sensor on front edge - light will turn on and off when the drawer is opened and closed
- Low wattage allows a full drawer stack to be powered from a single driver
- Brackets and cable tidy supplied to ensure no loose, unsightly wires

Verso LED Drawer Light - **Natural White (4500K)**

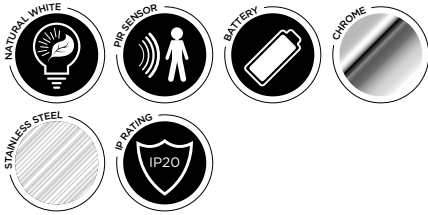
CODE	LENGTH	LUMENS	WATTAGE	QTY
SE7305HDNW.24	562mm	338 lm	3.3 W	1
SE7315HDNW.24	862mm	460 lm	5.4 W	1
SE7320HDNW.24	962mm	500 lm	6 W	1

Cables, Connectors & Accessories

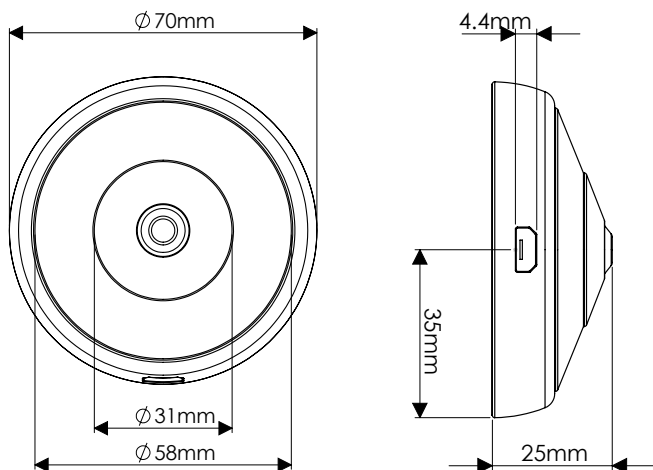
CODE	DESCRIPTION
SE9009	2500mm Extension Cable

Magnum

Rechargeable Battery Light



- Ideal for wardrobes and kitchen cabinets
- Easy retro fit design and no electrical installation required
- Integrated PIR sensor with a 1500mm range of 120° activates the light
- Simple installation via a self adhesive magnetic plate - the light then attaches to the magnetic plate and removes for charging
- Contains rechargeable lithium-ion battery
- Rapid battery charge time (<2 hours)
- On/off switch to save battery capacity
- If no movement is detected, the unit will switch off after 10 seconds
- 6 months battery power - based on 2 minutes of usage per day
- 150mm USB charger cable included



Magnum Rechargeable Battery Light - **Natural White (4500K)**

CODE	FINISH	LUMENS	WATTAGE	VOLTAGE	QTY
SE3391NO	Chrome	100 lm	0.4 W	5V	1
SE3300NO	Stainless Steel	100 lm	0.4 W	5V	1

Strata

Sensor Controlled LED Light

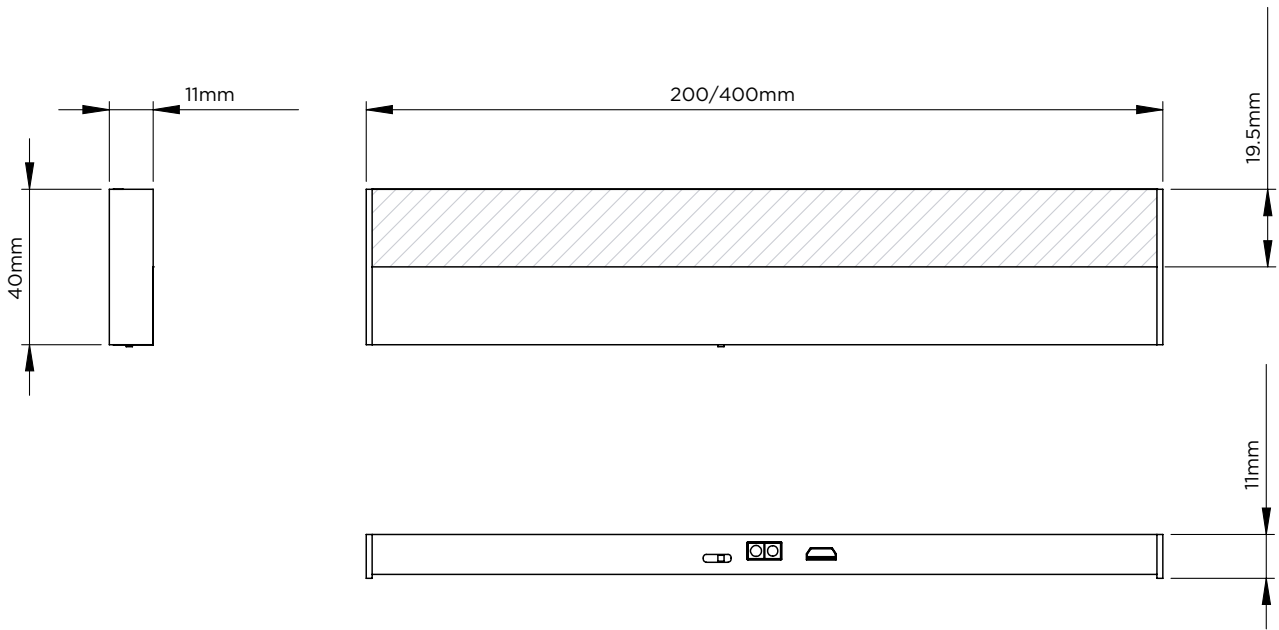
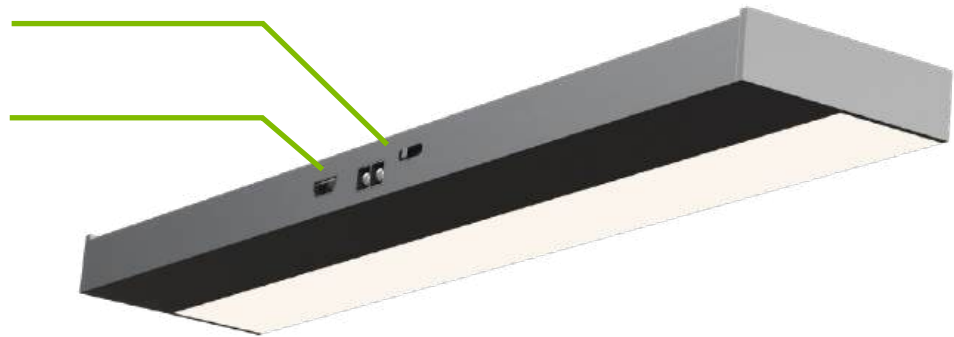




- Ideal for wardrobes, drawers and kitchen cabinets
- Retro fit design with no electrical installation required
- Integrated sensor with 2 control options
- Simple installation via a self adhesive magnetic plate - the light then attaches to the magnetic plate and removes for charging
- Contains rechargeable lithium-ion battery
- On/off switch to save battery capacity
- 6 months battery power - based on 2 minutes of usage per day

Dual function IR sensor - activate with a hand swipe or the opening of a door

USB rechargeable



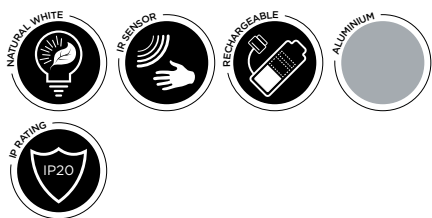
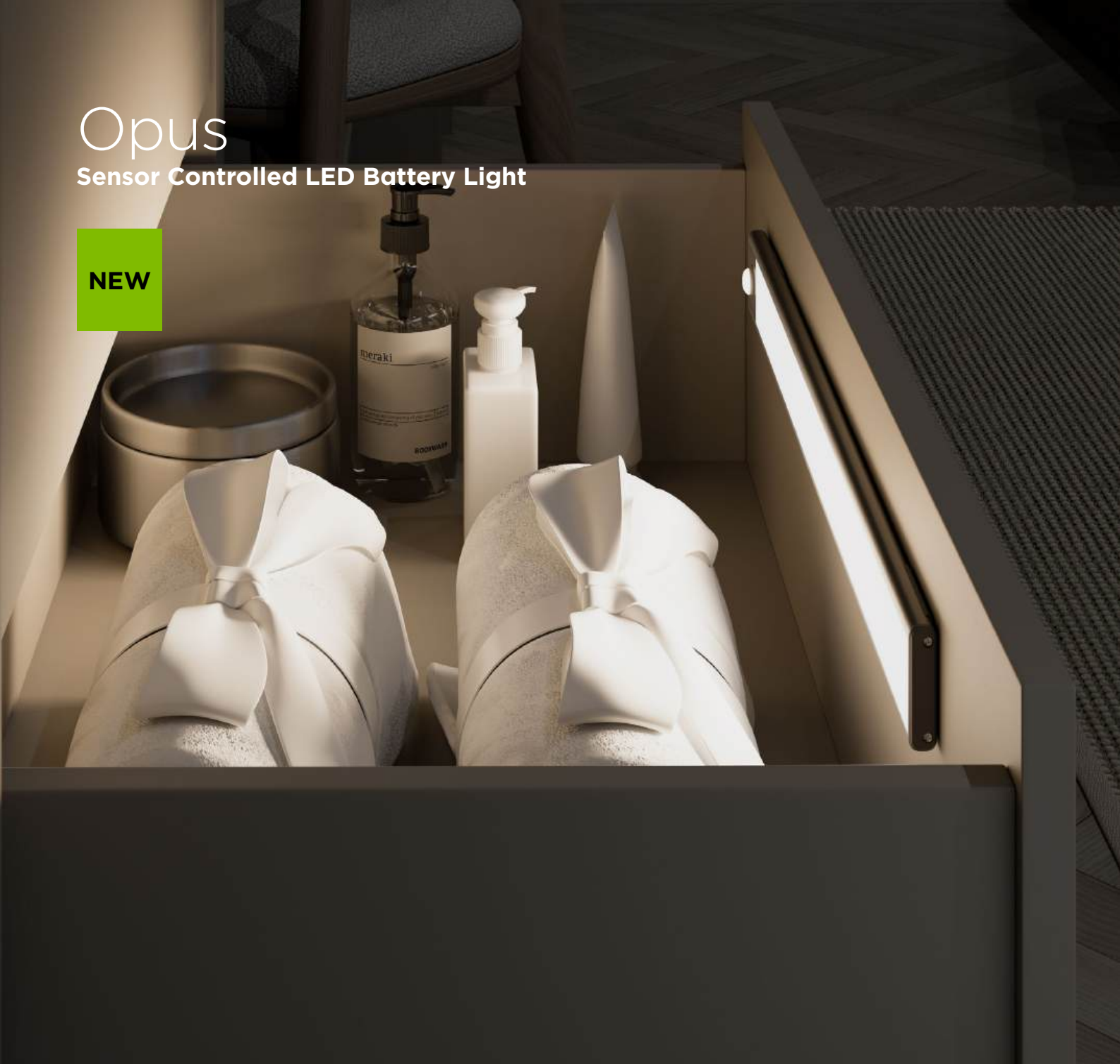
Strata Rechargeable Battery Light - **Natural White (4500K)**

CODE	LENGTH	LUMENS	WATTAGE	VOLTAGE	QTY
SE11002N0	200mm	100 lm	0.4 W	5V	1
SE11102N0	400mm	100 lm	0.4 W	5V	1

Opus

Sensor Controlled LED Battery Light

NEW



- Retro fit design with no electrical installation required
- Simple installation with self adhesive magnetic plates
- Contains rechargeable lithium-ion battery
- On/off switch to save battery capacity
- Integrated PIR sensor control
- 8 months battery power - based on 3 minutes usage per day
- USB-C charging cable included
- Available in two sizes: 235mm and 405mm
- IP Rating: IP20

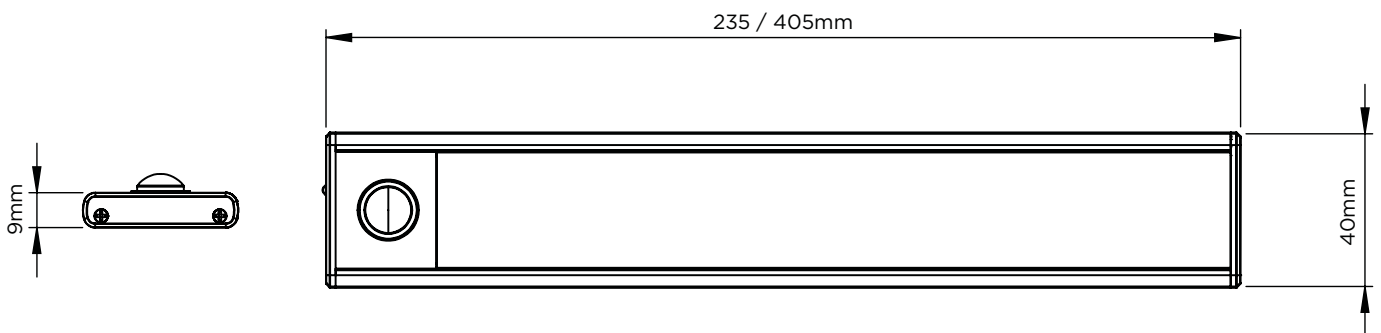
Simple installation - with self-adhesive magnetic mounting



3M VHB adhesive

Configurable PIR - choose to have the PIR activate the light all the time or just when approached in the dark

Fast USB-C - charging and long lasting power



Natural White - **4000K**

CODE	LIGHT COLOUR	LENGTH	LUMENS	WATTAGE
SE140012N0	Natural	235mm	90lm	1.4W
SE140022N0	Natural	405mm	150lm	3W



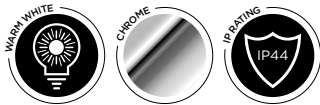
CEILING & FEATURE LIGHTING

- Create statement lighting with stunning pendants
- Pendants provide perfect over-island, practical task lighting
- Recessed spotlights offer a sleek, minimalist feel and fill the space with light

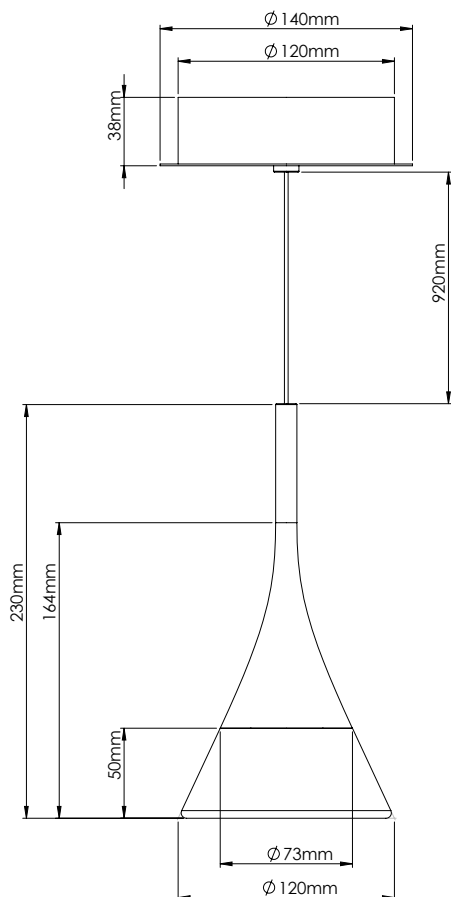


Zirconia

Crystal Cone Pendant Light



- Inject desirable mood lighting into your kitchen or bedroom with this exquisite droplet pendant
- Use above the kitchen island, dining table or in the bedroom
- Can be used in stylish clusters of 2 or 3 fittings
- 920mm stainless steel cable is adjustable
- Stylish chrome finish and clear base laced with floating crystals
- LED light reflects from each crystal giving sparkling effect
- 24 integrated LEDs
- IP44 rated - protected against solid objects over 12mm (e.g. fingers) and protected against water drops at a 15 degree angle from the vertical

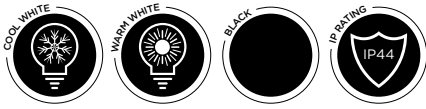


Zirconia Crystal Cone Pendant Light - **Warm White (3000K)**

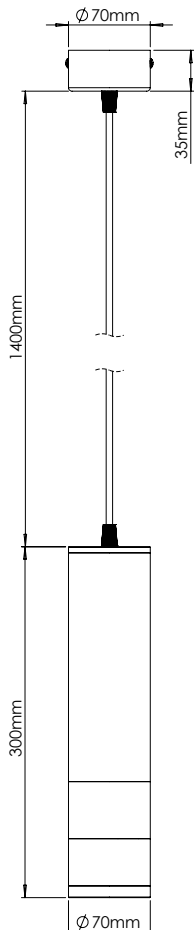
CODE	LUMENS	WATTAGE	VOLTAGE	QTY
SE32101W0	330 lm	4.8 W	24V	1

Solinas

Black Pendant Light



- A striking crushed crystal, matte black industrial style cylindrical pendant light
- Perfect for both single or cluster implementation
- Offers diffused illumination through its crystalline ring and underside lens
- Available in both cool and warm white with a replaceable GU10 LED bulb
- Suitable for use with a wall dimmer
- Suspended on a 1.4m black cable from a matt black ceiling mount
- IP44 rated - protected against solid objects over 12mm (e.g. fingers) and protected against water drops at a 15 degree angle from the vertical



Solinas Black Pendant Light - **Cool White (6500K)**

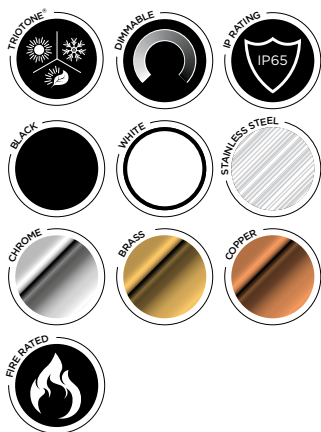
CODE	LUMENS	WATTAGE	VOLTAGE	QTY
SE82098CO	164 lm	3.5 W	240V	1

Solinas Black Pendant Light - **Warm White (3000K)**

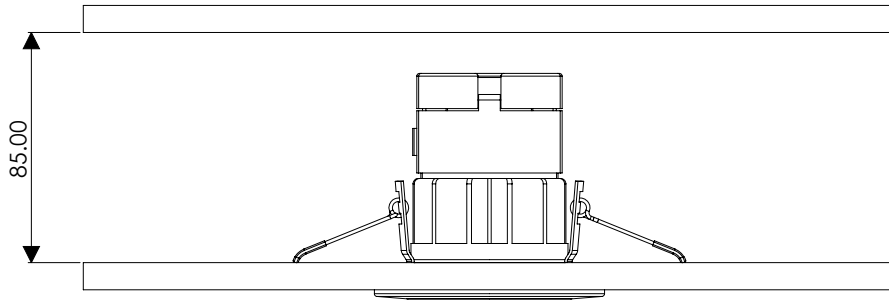
CODE	LUMENS	WATTAGE	VOLTAGE	QTY
SE82098WO	132 lm	3.5 W	240V	1

TrioTone® IP65

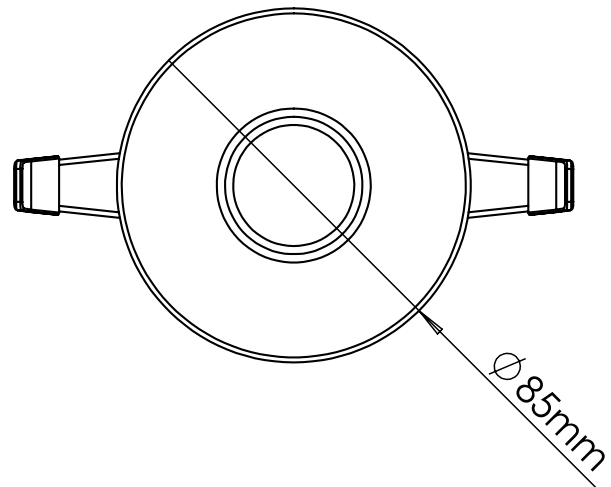
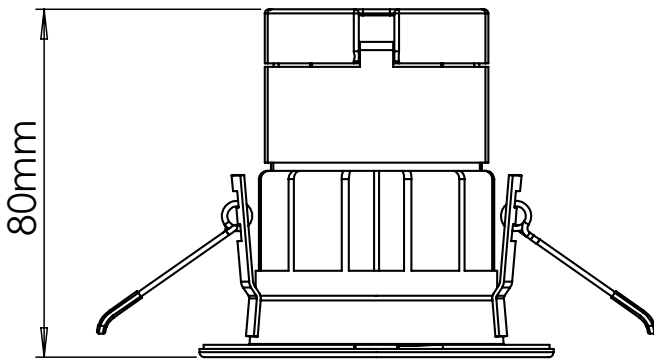
Fire Rated Downlight



- A range of features and finishes in one fitting for the perfect ceiling spotlight
- TrioTone® technology allows you to select cool white, natural white or warm white with a flick of the switch on the back of the fitting
- Incorporates integrated driver
- Super slim interchangeable bezels easily clip on and off the fitting
- 3 bezels included - white, chrome & brushed steel
- Easy to install (Plug & Play Technology)
- Fully tested to 30, 60, 90 minutes fire rating
- Dimmable from 0-100%
- Brighter than a 50W GU10 Halogen
- IP65 rated making it suitable for both kitchen and bathroom use (Zone 1 and 2)



Ensure 85mm clearance in the ceiling cavity. Our TrioTone® downlight features an integrated driver and quick connector for efficient installation. Simply connect the power and set the light temperature preference.



Routing diameter: Ø75mm



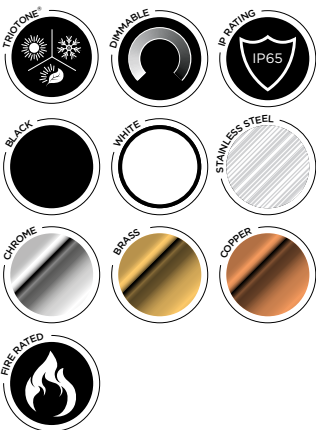
TrioTone® IP65 Fire Rated Downlight - (3000K, 4000K, 5000K)

CODE	LUMENS	WATTAGE	VOLTAGE	QTY
SE62095TO	650-700 lm	8 W	240V	1

Pure TrioTone®

Dual Power IP65 Fire Rated Downlight

NEW

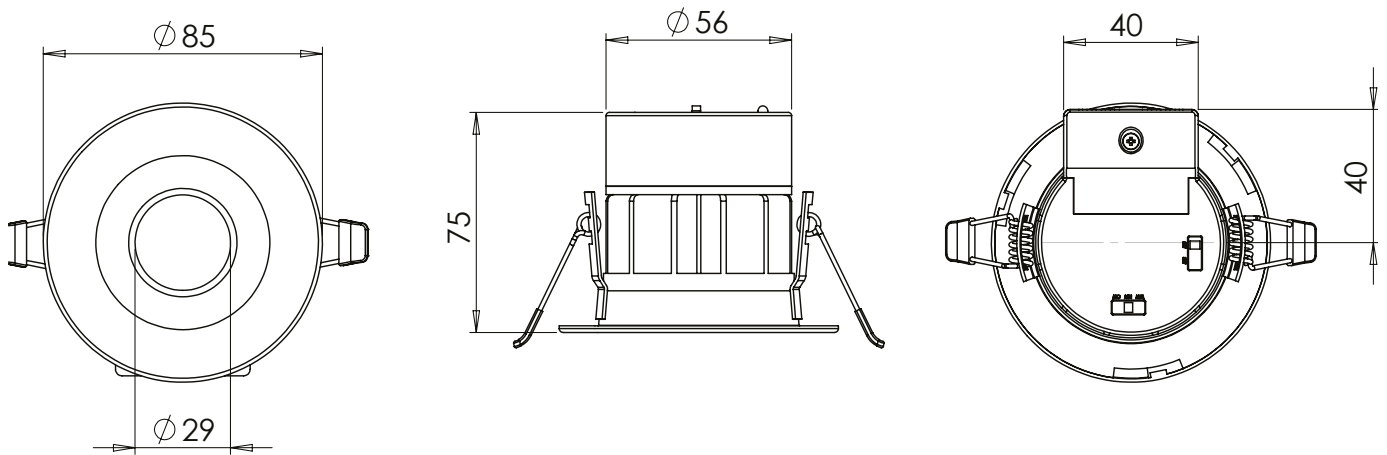


- A range of features and finishes in one fitting for the perfect ceiling spotlight
- TrioTone® technology allows you to select cool white, natural white or warm white with a flick of the switch on the back of the fitting
- Incorporates integrated driver
- Super slim interchangeable bezels easily clip on and off the fitting
- 3 bezels included - white, chrome & brushed steel
- Easy to install (Plug & Play Technology)
- Fully tested to 30, 60, 90 minutes fire rating
- Dimmable from 0-100%
- Dual power switch, 5W & 8W settings
- IP65 rated making it suitable for both kitchen and bathroom use (Zone 1 and 2)

TrioTone® switch to select light temperature and adjustable power switch located in the top of the fitting.



A simple, all-in-one solution for efficient installation. The new, Pure Dual Power, features integrated quick connectors. Daisy chain one light fitting to the next for less cable running and reduced installation time when placing multiple fittings.



Routing diameter: Ø75mm

Pure TrioTone®, Dual Power IP65 Fire Rated Downlight - **(3000K, 4000K, 5000K)**

CODE	LUMENS	WATTAGE	VOLTAGE	QTY
SE62299T0	650-700 lm	5W / 8W	240V	1

TrioTone® Downlight Bezel Accessories

CODE	FINISH
SE620980	Black
SE620970	Brass
SE631910	Chrome
SE601970	Copper
SE620900	Stainless Steel

Bezels compatible with both the TrioTone® IP65 Downlight & Pure TrioTone® Dual Power Downlight

TrioTone® Dual Power Cube & Circa

IP65 Fire rated Downlight

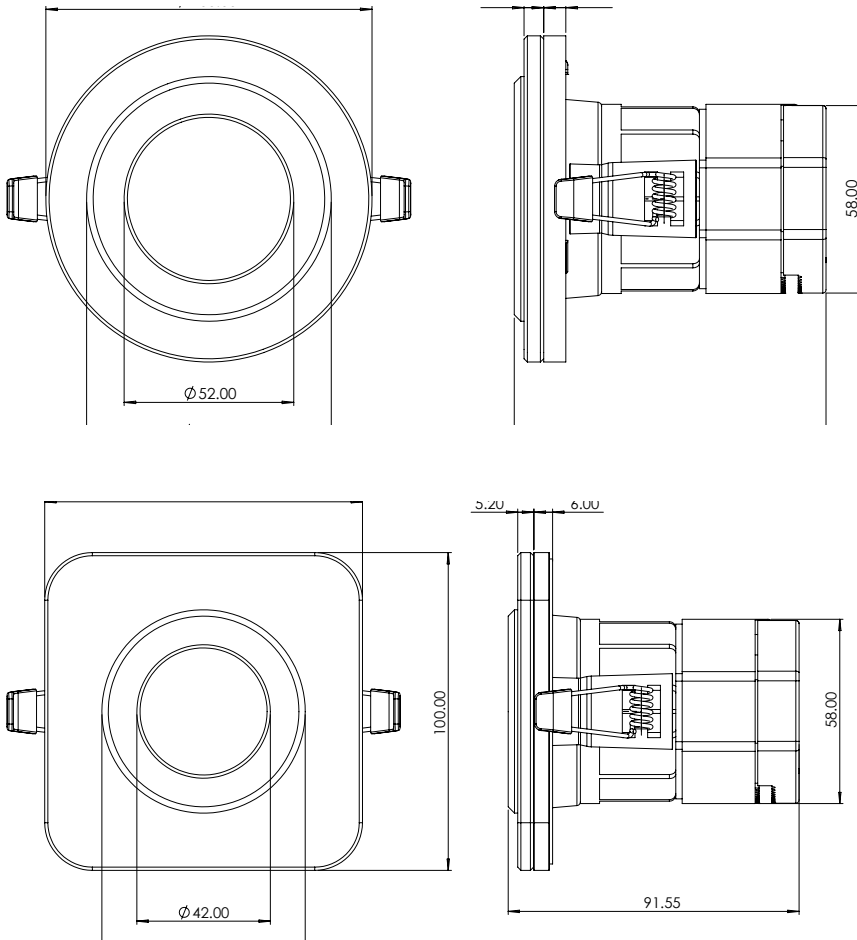
NEW



Cube - Registered Design Right - 6056146
Circa - Registered Design Right - 6056147



- A stylish, glass bezel ceiling spotlight available in two shapes and two finishes
- Bezel available in both clear glass or smoked glass
- Choose from either square with rounded corners (Cube) or round (Circa) fitting
- TrioTone® technology allows you to select cool white, natural white or warm white with a flick of the switch on the back of the fitting
- Incorporates integrated driver
- Easy to install (Plug & Play Technology)
- Fully tested to 30, 60, 90 minutes fire rating
- Dimmable from 0-100%
- Brighter than a 50W GU10 Halogen
- IP65 rated making them suitable for kitchen and bathroom use (Zone 1 and 2)



Routing diameter: Ø75mm



TrioTone® Cube & Circa Dual Power - (3000K, 4000K, 5000K)

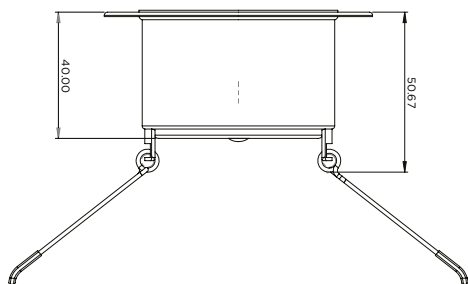
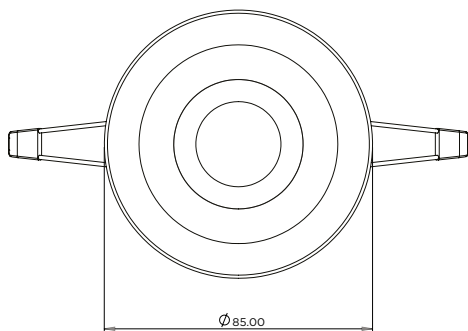
CODE	DESCRIPTION	LUMENS	WATTAGE	VOLTAGE	QTY
SE62094T0.1	TrioTone® Circa (Clear Glass)	650-700 lm	8 W	240V	1
SE62294T0.1	TrioTone® Circa (Smoked Glass)	650-700 lm	8 W	240V	1
SE62194T0.1	TrioTone® Cube (Clear Glass)	650-700 lm	8 W	240V	1
SE62394T0.1	TrioTone® Cube (Smoked Glass)	650-700 lm	8 W	240V	1

Cara

Fire Rated Downlight



- Super slim interchangeable bezels easily clip on and off the fitting
- Fully tested to 30, 60, 90 minutes fire rating
- Dimmable from 0-100%
- 38° beam angle
- 68mm hole routing
- IP65 rated making it suitable for both kitchen and bathroom use (Zone 1 and 2)



Routing diameter: Ø60mm



Cara - IP65 Fire Rated LED Downlight - Natural White

CODE	WATTAGE	VOLTAGE	QTY
SE62099N0	5W	240V	1

Cara Downlight Bezel Accessory

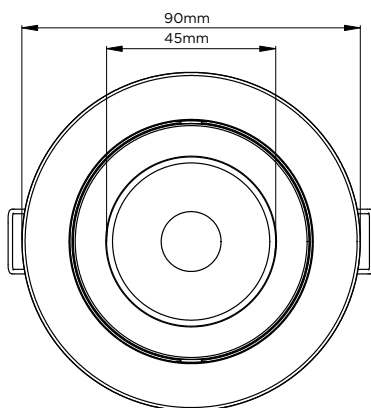
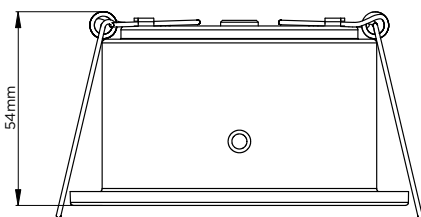
CODE	FINISH
SE630970	Black
SE630910	Chrome

Elena TrioTone®

Fire Rated Downlight



- TrioTone® technology allows you to select cool (5000K), natural (4000K) or warm (3000K) white with a flick of the switch on the back of the fitting
- Tiltable bulb housing to control the light direction
- Fully tested to 30, 60, 90 minutes fire rating
- Dimmable from 5-100%
- 38° beam angle
- 68mm hole routing
- IP65 rated making them suitable for kitchen and bathroom use (Zone 1 and 2)



Routing diameter: Ø80mm



Elena TrioTone® - Tiltable Downlight

CODE	FINISH	WATTAGE	QTY
SE62198T0	Black	6W	1
SE62191T0	Chrome	6W	1
SE62199T0	White	6W	1

SENSIOPOD POP-UP SOCKETS

- Discreet and concealed power points easily hidden into worktops
- Provides high output charging for USB devices and Qi charging
- A great option for offering power in kitchen island units



Max. 5V DC Max. 2.1A
POWER

audio

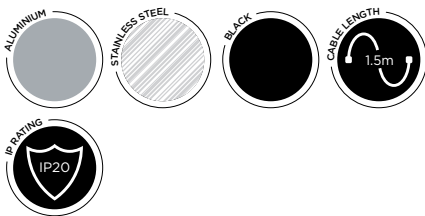
vol
AUX in

SensioPod E

Pull up Socket



Simple push and pull access



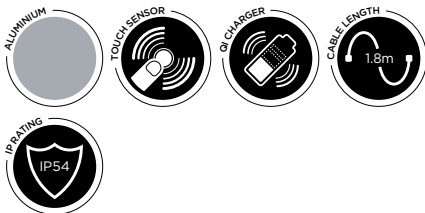
- Slim handle sits almost flush with the worktop for a seamless finish
- Spring mounted handle - gentle push down to release then pull up
- 3 x Power sockets
- 2 x USB sockets
- Simple installation - 1500mm cable with 13A plug attached
- IP20 rated
- Available in stainless steel, aluminium and black finishes

SensioPod E - Pull Up Socket

CODE	COLOUR	CONNECTION	POWER SUPPLY
SE891900	Stainless Steel	13A plug	Sockets: 3 x power & 2 x USB
SE894920	Aluminium	13A plug	Sockets: 3 x power & 2 x USB
SE894930	Black	13A plug	Sockets: 3 x power & 2 x USB

SensioPod M

Motorised Socket



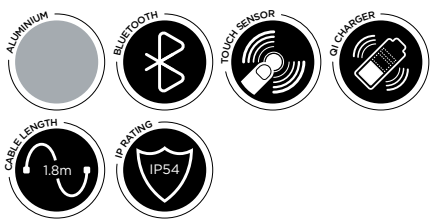
- Motorised mechanism to raise and lower the unit
- Anti-trap feature stops the unit if an obstruction is detected
- Pausing feature to allow the pod to be partially lowered when in use
- Simple touch sensor control on the top of the pod
- 3 x Power sockets
- 2 x USB sockets
- Integrated Qi charger in the top of the unit
- Simple installation - 1.8m cable with 13A plug attached
- IP54 rated
- Aluminium finish

SensioPod M - Motorised Socket with Qi Charger

CODE	COLOUR	CONNECTION	POWER SUPPLY
SE892920	Aluminium	13A plug	Sockets: 3 x power & 2 x USB

SensioPod M Bluetooth

Motorised Bluetooth Socket



- Motorised mechanism to raise and lower the unit
- Anti-trap feature stops the unit if an obstruction is detected
- Pausing feature to allow the pod to be partially lowered when in use
- Simple touch sensor control on top of the pod
- 2 x Power sockets
- 2 x USB sockets
- Integrated Qi charger in the top of the unit
- Integrated Bluetooth speaker to connect compatible devices for playing music
- Simple installation - 1.8m cable with 13A plug attached
- IP54 rated

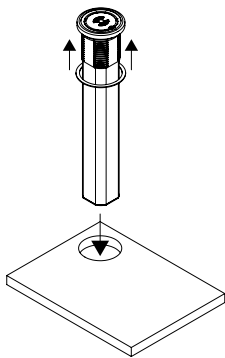
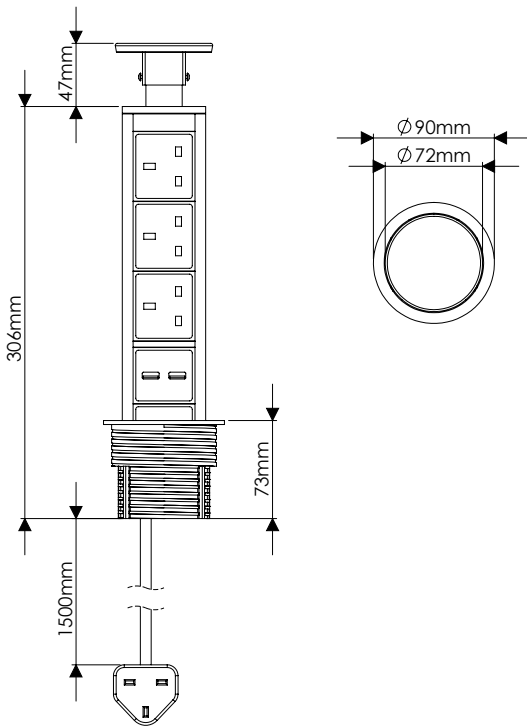
SensioPod M - Motorised Socket with Bluetooth & Qi Charger

CODE	COLOUR	CONNECTION	POWER SUPPLY
SE893920	Aluminium	13A plug	Sockets: 2 x power, 2 x USB ports & Bluetooth Speaker

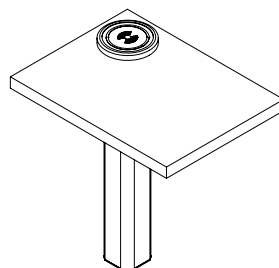
Simple Installation

SensioPod E

A simple mounting ring contains the spring mechanism to raise and close the pod. The unit hangs open when recessed beneath the surface.



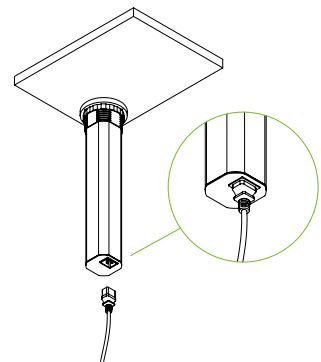
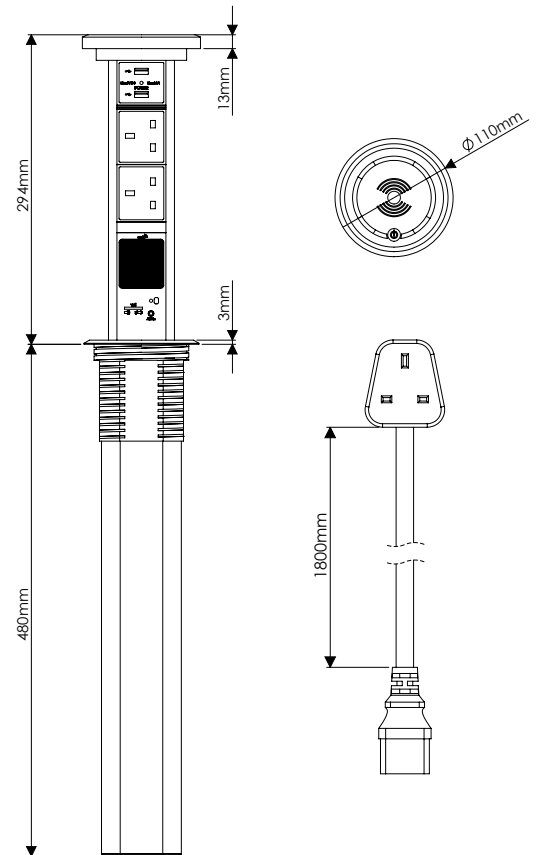
Create a hole - Route a hole in the work surface where the SensioPod will be installed.



Slot in the SensioPod - Recess the SensioPod into the hole so that the ring sits flush to the surface.

SensioPod M / M Bluetooth


A sleeve houses the motorised mechanism and descends beneath the work surface. Additional space should be considered as the lower part is taller.



Connect the power - Connect the power lead under the unit and plug into the power.



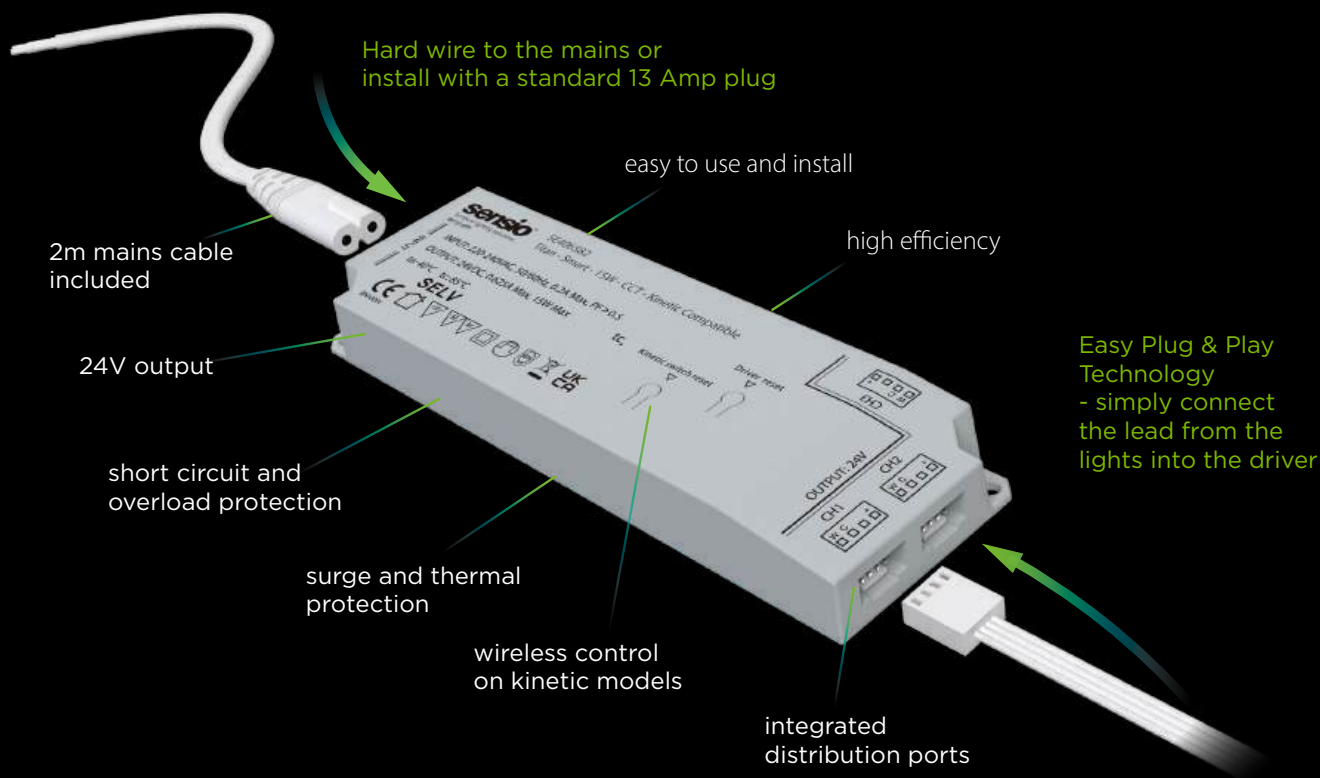
LIGHTING POWER & CONTROL

- Multiple light type controls to enable light zoning
 - Simple functionality via remotes, sensors or smart home devices
 - Control the mood and functionality of the room with lights
- 



TITAN DRIVERS

Our Titan range of drivers are packed with features, offering an excellent choice based around how the lights will be controlled. All Titan drivers feature a slimline profile measuring just 16mm in depth making them a discreet solution that can be hidden away easily during installation. The drivers all feature integrated connector ports rather than a traditional distribution block, streamlining the design.



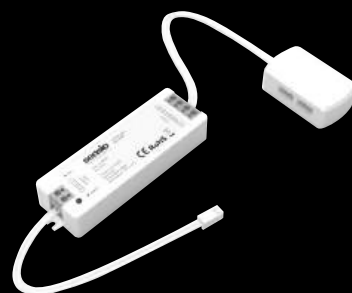
Multiple lighting lines

Simultaneously run multiple light lines. Just remember to total the wattage.

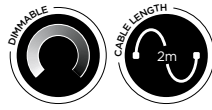


Advanced control options

Incorporate receivers and sensor extensions to increase the driver functionality.



Titan Dimmable Driver



- Depth of 16mm
- Integrated 2-pin connector, distributor ports
- 2m mains cable included
- Short circuit & overload protection
- Surge and thermal protection
- Wide dimming range: 5% - 100%
- Wall dimmable
- Easy to use - Just plug and play
- Minimum 25% load

TIP

Consider the wattage. Dimmable drivers require a minimum 25% load to function efficiently.

- For 15W, connect a minimum 3.75W of lighting
- For 30W, connect a minimum 7.5W of lighting
- For 60W, connect a minimum 15W of lighting

Titan Dimmable - **Compatible with a wall dimming switch**

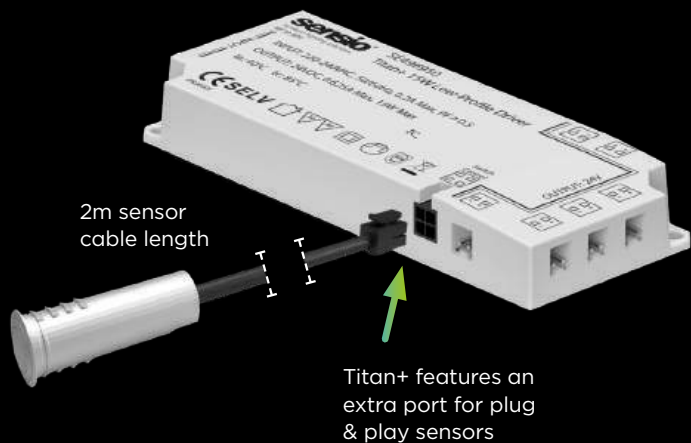
CODE	DRIVER	NO. PORTS
SE40699	Titan 60W Dimmable Driver	10
SE40899	Titan 30W Dimmable Driver	6
SE40799	Titan 15W Dimmable Driver	6

Cables, Connectors & Accessories

CODE	DESCRIPTION
SE990990	*Driver Port Expander

Titan+

Sensor Driver



- Slim 16mm depth
- Easy to use and install
- Available as 6W/15W/30W
- Integrated 2-pin connector, distribution ports
- Compatible lighting control accessories - PIR, IR, Switch & Door sensors. Simply plug in the chosen sensor to the designated port in the driver.
- Mains cable included
- Dimmable when paired with the Titan+ IR sensor

Titan+ - Plug & play sensor drivers

CODE	DRIVER	PORTS
SE150004A0	Titan+ 60W Driver	6
SE497950	Titan+ 30W Driver	6
SE496950	Titan+ 15W Driver	6
SE495950	Titan+ 6W Driver	4

The Titan+ is not suitable for direct use with a mains, wall dimming switch. All of our accessories control the current after the driver circuit.

Plug & Play Sensor Control



- Perfect for recessed or surface mounting (with the included bracket)
- Cut out diameter of 12mm
- 2m connection cable



Titan+ IR Sensor

- Allows activation of all lighting plugged into the Titan+ driver with the swipe of a hand
- Detection range of 0-5cm
- Adds dimmable functionality to Titan+ driver



Titan+ PIR Sensor

- Allows activation of all lighting plugged into the Titan+ driver by detecting motion
- Detection range of 0-3m
- Detection angle of 120°



Titan+ Push Switch

- Allows activation of all lighting plugged into the Titan+ driver with the push of a button
- Perfect for recessed mounting in to a worktop
- Features a robust clicker switch



Titan+ Door Sensor

- Allows activation of all lighting plugged into the Titan+ driver with the opening and closing of doors

TrioTone® Control

Simplifies Colour Selection

Titan+ Sensor Adapter

- Turn any standard driver into a Titan+
- The Titan+ Sensor Adapter allows this sensor range to be used with any driver featuring 2-pin ports to control lights placed afterwards in the chain.



Port Expander

- Increase the capacity of the driver with an added 12 ports
- Always remember the total wattage of lights connected should not exceed that of the driver



New for 2025. We have introduced a 60W driver to our Titan+ range to create longer runs of flexible strip lighting or simplify installation, allowing many lights to be illuminated from one power source.

Cables, Connectors & Accessories

CODE	DESCRIPTION
SE490250	IR Sensor
SE491250	PIR Sensor
SE492250	Push Switch
SE493250	Door Sensor
SE90012	Titan+ Sensor 2500mm Extension Cable
SE990990	*Driver Port Expander

Titan+ - Sensor Adapter

CODE	DESCRIPTION
SE797990	Titan+ Sensor Adapter
SE797991	Titan+ Double Door Sensor Adapter



Connects a CCT light to a standard Titan+ driver

The TrioTone® controller allows you to select cool white (5000K), natural white (4000K) or warm white (3000K) with the touch of a button. The controller plugs directly into any standard LED driver, making any CCT product TrioTone® compatible. This enables the light source to be matched to any interior design style, as well as providing the flexibility to be changed in the future.

Titan+ - Sensor Adapter

CODE	VOLTAGE
SE090009A0	24V

NEW

Titan+ Wireless

Sensor Range



Eliminate the hassle of wires and cables with the Titan + Wireless range. Available in 4 different sensor options, giving a choice of control and allowing bespoke product creation. As well as ease of use, the Titan+ Wireless range reduces energy consumption, as they don't require a constant power supply or connection.

- No messy wires to hide
- Perfect for surface mounting with the included bracket
- Available in 4 types - Touch, IR, Door and PIR sensor
- Compatible with the Titan+ Driver
- Easily pair up to 10 sensors to one receiver for wireless connection
- Detection range from sensor to receiver: up to 5m



Discreet control anywhere.



One switch - controls all driver channels



Quick connect - receiver plugs directly into the Titan+ port

Effortless - one touch pairing

Low profile - sensor and bracket design



Intuitive hand-gesture control without the need to route extra cables



Titan+ Wireless IR Sensor
 - Activate by swiping hand in front of sensor or dim the lights by holding hand in front of sensor



Titan+ Wireless PIR Sensor - Lighting will activate with movement from up to 2500mm



Titan+ Wireless Door Sensor - Activate lighting by opening the cabinet door. Works for both single and double doors.



Titan+ Wireless Touch Sensor - Tap sensor to turn lighting on/off. Tap and hold sensor for 5 seconds to dim lighting

Sensor & Receiver - **ready to plug & play**

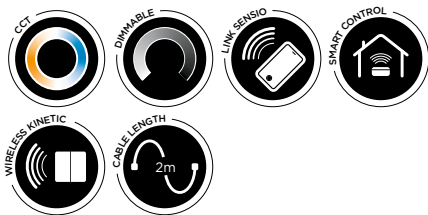
CODE	SENSOR TYPE
SE900530	Titan+ Wireless IR Sensor and Receiver
SE900730	Titan+ Wireless Touch Sensor and Receiver
SE900830	Titan+ Wireless Door Sensor and Receiver
SE900630	Titan+ Wireless PIR Sensor and Receiver

Additional Sensors and Receivers

CODE	SENSOR TYPE	RRP
SE900030	Titan+ Wireless IR Sensor	
SE900230	Titan+ Wireless Touch Sensor	
SE900330	Titan+ Wireless Door Sensor	
SE900130	Titan+ Wireless PIR Sensor	
SE900430	Titan+ Wireless Receiver	

Titan Smart Kinetic

Wireless Switch & Voice Activated Driver



- Slim 16mm depth
- Easy to use and Install
- Integrated distribution ports
- Compatible with Amazon Alexa & Google Assistant for voice activated control over the lighting
- Combine with the Link Sensio Smart Phone App (available for both Android and iOS devices) to access a multitude of clever features such as dimming, colour changing and lighting schedules
- For wireless lighting control, pair with the Titan Kinetic Switch - the multi-functional buttons allow intuitive control over power, dimming and colour temperature and require no wiring or mains power
- Mains cable included
- Available for both single-colour and CCT lights

Titan - Smart Kinetic Driver

CODE	WATTAGE	CONTROL	No. PORTS	CHANNELS
SE406581	15 W	Single-colour	5	5
SE406591	30 W	Single-colour	5	5
SE406582	15 W	CCT	3	3
SE406592	30 W	CCT	6	3

Titan - Kinetic Controls & Accessories

CODE	DESCRIPTION
SE781990	1 Gang Kinetic Switch
SE782990	2 Gang Kinetic Switch
SE783990	3 Gang Kinetic Switch
SE780990	Kinetic Receiver
SE90010	2500mm CCT Extension Lead
SE992990	CCT Port Expander - 4 Ports



Kinetic Switch Wireless Control

- Switch can be placed anywhere with no additional power or wiring required
- Simple, wall mount installation via screws or adhesive tape included
- Connects to the Titan Kinetic driver and 240V mains receiver at the press of a button
- One, two and three gang options available for additional control functions such as dimming, colour adjust and zoning

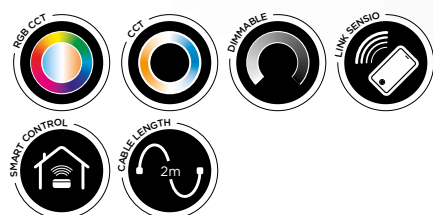


WiFi Smart Kinetic 240V Mains Receiver

- Allows control of any mains lighting with the wireless kinetic switch
- dimming with compatible lights such as the Sensio IP65 downlights
- WiFi function for control via the Link Sensio App and smart home devices
- 200 - 240V mains input
- Maximum load 100W

Titan Smart RGB CCT

Full Colour Control Smart Driver



- For use with the Sensio Flux RGB CCT and Polar RGB CCT Flexible LED strip lights
- Slim 16mm depth
- Easy to use and Install
- Integrated distribution ports
- Compatible with Amazon Alexa & Google Assistant for voice activated control over the lighting
- Combine with the Link Sensio Smart Phone App (available for both Android and iOS devices) to access a multitude of clever features such as dimming, colour changing and lighting schedules
- Mains cable included

Link Sensio Smart Phone App

The “Link Sensio” app is available to download for free on both iOS and Android smart devices. Use the app, in conjunction with a smart home device, to operate our Titan Smart Kinetic Driver.

Titan - Smart RGB CCT Driver

CODE	WATTAGE	CONTROL	No. PORTS
SE405595	30 W	RGB CCT	4

Cables, Connectors & Accessories

CODE	DESCRIPTION
SE10655R0	Flux Flexible Strip - 5m
SE040029NDRO	Polar RGB CCT - 5m
SE90011	2500mm RGB CCT Extension Lead
SE991990	RGB CCT Port Expander - 4 ports

Universal Remote Control



- The remote can control single colour lighting (dimming), CCT (tunable white) and RGB (colour changing) lights
- Offers a multitude of functions including the ability to set up channels and zone lighting
- Wall mounting bracket provided to keep the remote safe and secure when not in use
- Requires 2x AAA batteries (not included)

Use in conjunction with the appropriate receiver for the chosen lights.



Single colour Receiver

- Control single colour lighting products (e.g warm white colour temperature lights)
- The receiver has a memory function to recall settings
- Multiple receivers can be paired with the a single Universal Remote Control
- 30m range
- 96W at 12V and 192W at 24V



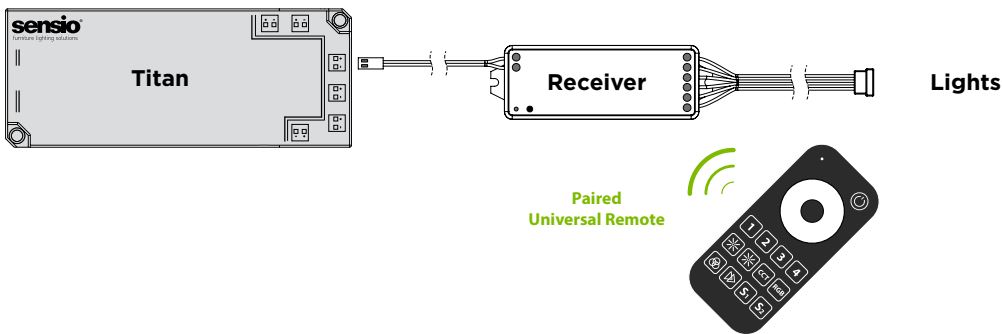
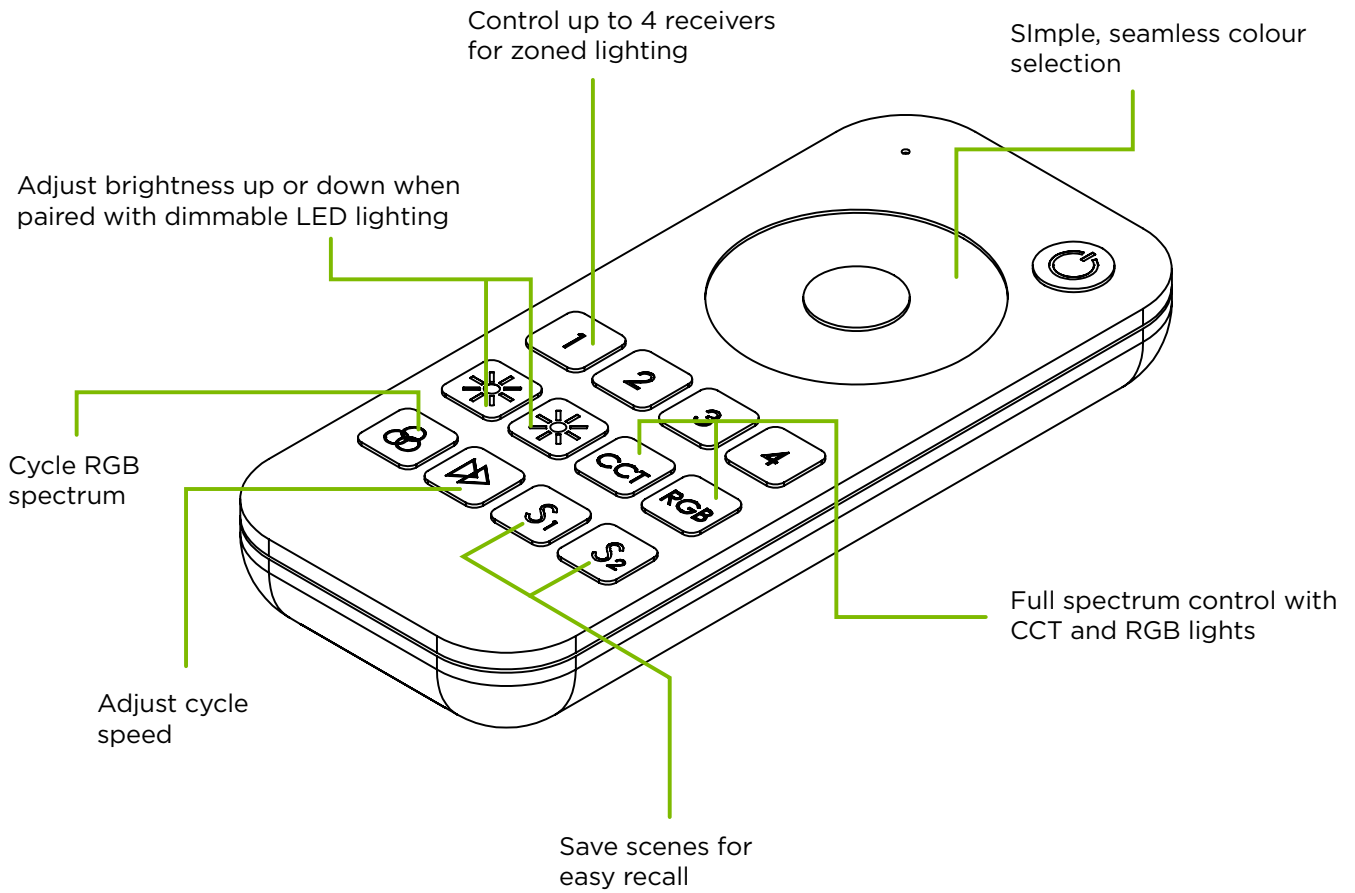
CCT Receiver

- Control CCT (Correlated Colour Temperature) lighting products
- The receiver has a memory function to recall settings
- Multiple receivers can be paired with a single Universal Remote Control
- 30m range
- 60W at 12V and 120W at 24V



RGB CCT Receiver

- Control RGB and CCT (Colour Changing Technology) lighting products
- The receiver has a memory function to recall settings
- Multiple receivers can be paired with a single Universal Remote Control
- 30m range
- 36W at 12V and 72W at 24V



Universal Remote Control & Receivers

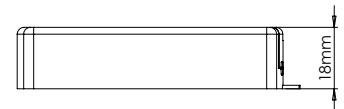
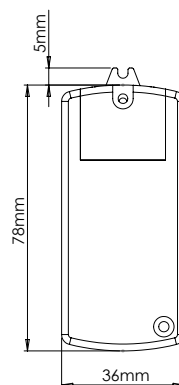
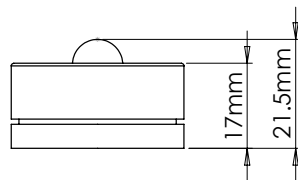
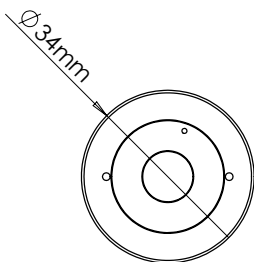
CODE	DESCRIPTION	NO. PORTS
SE770390	Universal Remote Control	-
SE772990	Single Colour Receiver	4
SE771990	CCT Receiver	4
SE770990	RGB CCT Receiver	1

Wireless PIR

Motion Sensor Switch



- Activates lights on opening of a cupboard or entry of a room
- 1m-3m activation zone
- Automatically switches off the lights after 3 minutes if no movement detected
- Includes bracket for surface mounting of the sensor
- Available as a kit including the wireless receiver and sensor, in addition to single sensors which are sold separately
- One receiver can support up to 4 sensors to ensure there are no blind spots in detection



Wireless PIR - Motion Sensor Switch

CODE	DESCRIPTION	FINISH	MAX. WATTAGE	No. PORTS	QTY	DRIVER
SE790980	Link-S Wireless PIR & Receiver	Silver	60W or 120W*	6	1	Required
SE791980	Wireless PIR	Silver	60W or 120W*	-	1	Required

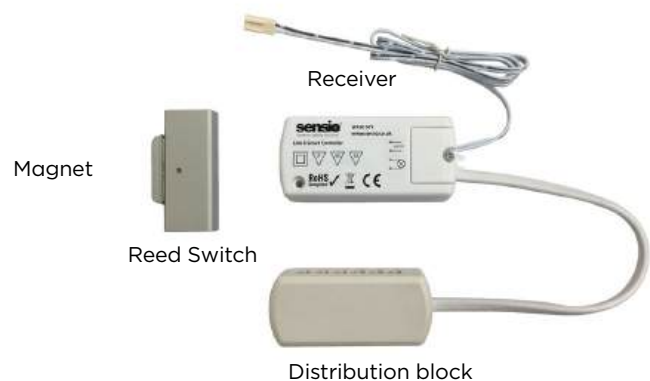
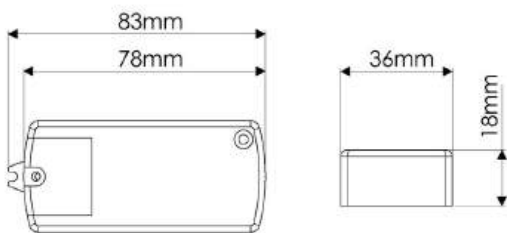
* 60W with 12V input or 120W with 24V input

Link-S

Receiver, Magnet & Reed Switch



- Control lighting wirelessly through the opening and closing of doors
- Magnet and Reed Switch suitable for mounting on any door and frame or surround
- Opening the door will send a signal to the receiver to trigger the lighting (as the magnet loses contact with the Reed Switch)
- Small size of components means that their appearance is discreet
- Control multiple lights within a kitchen or bedroom
- Range of >8m
- Battery life of >3 years
- One receiver can support up to five Magnets and Reed switches
- One Reed Switch and Magnet can support up to five receivers



Link-S - Receiver, Magnet and Reed Switch

CODE	DESCRIPTION	VOLTAGE	MAX. WATTAGE	No. PORTS
SE79095	Receiver, Magnet and Reed Switch	24V	72 W	6
SE79195	Receiver	24V	72 W	-
SE79295	Wireless Magnets	3V (2x 1632 Button Batteries)	-	-

PRODUCT INDEX

Flexible LED Strip Lighting

PRODUCT	CODE	PAGE	
Dart (5m)	SE10355NO	28	
Dart (5m kit)	SE10355N1		
Delta (3m natural)	SE040024NDNO	42	
Delta (5m natural)	SE040014NDNO		
Delta (10m natural)	SE040034NDNO		
Delta (3m warm)	SE040024NDWO		
Delta (5m warm)	SE040014NDWO		
Delta (10m warm)	SE040034NDWO		
Flux (2m)	SE10625RO	60	
Flux (3m)	SE106105RO		
Flux (5m)	SE10655RO		
Flux (5m receiver kit)	SE10655R1		
Ion 8 (5m)	SE10855PO		48
Ion 8 (5m smart kit)	SE10855PS1		
Ion 8 (5m receiver kit)	SE10855P1		
Ion 5 (5m)	SE10755PO	50	
Ion 5 (5m smart kit)	SE10755PS1		
Ion 5 (5m receiver kit)	SE10755P1		
Neutron (5m cool)	SE10455CO		32
Neutron (2m natural)	SE10425NO		
Neutron (5m natural)	SE10455NO		
Neutron (5m warm)	SE10455WO		
Primo 2 (5m cool)	SE10755CO	30	
Primo 2 (5m cool kit)	SE10755C1		
Primo 2 (5m warm)	SE10755WO		
Primo 2 (5m warm kit)	SE10755W1		
Polar Pro (5m)	SE20055PO		48
Polar RGB CCT (3m)	SE040019NDRO	62	
Polar RGB CCT (5m)	SE040029NDRO		
Polar RGB CCT (10m)	SE040039NDRO		
Polar X (5m cool)	SE20055CO	44	
Polar X (3m natural)	SE040019NDNO		
Polar X (5m natural)	SE20055NO		
Polar X (10m natural)	SE040039NDNO		
Polar X (25m natural)	SE040049NDNO		
Polar X (3m warm)	SE040019NDWO		
Polar X (5m warm)	SE20055WO		
Polar X (10m warm)	SE040039NDWO		
Polar X (25m warm)	SE040049NDWO		
Polar X Pro (3m)	SE040009NDPO		56
Polar X Pro (5m)	SE20055PO		
Polar X Pro (10m)	SE040039NDPO		
Radiant (5m cool)	SE10555CO	38	
Radiant (5m cool kit)	SE10555C1		
Radiant (1.8m natural)	SE10795NO		
Radiant (1.95m natural)	SE10595NO		
Radiant (2.15m natural)	SE10695NO		
Radiant (3m natural)	SE105105NO		
Radiant (3m natural kit)	SE105105N1		
Radiant (5m natural)	SE10555NO		
Radiant (5m natural kit)	SE10555N1		
Radiant (5m warm)	SE10555WO		
Radiant (5m warm kit)	SE10555W1		
Radiant (Brackets pack)	SE900940		

PRODUCT	CODE	PAGE
Radiant Pro (5m)	SE10555PO	52
Razor (5m natural)	SE20095NO	40
Razor (3m natural)	SE20099NO	
Razor (5m warm)	SE20095WO	
Razor (3m warm)	SE20099WO	
Razor X (3m natural)	SE21094NO	46
Razor X (5m natural)	SE21095NO	
Razor X (10m natural)	SE21096NO	
Razor X (3m warm)	SE21094WO	
Razor X (5m warm)	SE21095WO	
Razor X (10m warm)	SE21096WO	
Razor X Pro (3m)	SE21094PO	58
Razor X Pro (5m)	SE21095PO	
Razor X Pro (10m)	SE21096PO	
Sigma 2 (5m cool)	SE10855CO	34
Sigma 2 (5m cool kit)	SE10855C1	
Sigma 2 (5m natural)	SE10855NO	
Sigma 2 (5m natural kit)	SE10855N1	
Sigma 2 (5m warm)	SE10855WO	
Sigma 2 (5m warm kit)	SE10855W1	
Viva 3 (0.5m cool)	SE10745CO	36
Viva 3 (1m cool)	SE10715CO	
Viva 3 (1m cool kit)	SE10715C1	
Viva 3 (2m cool)	SE10725CO	
Viva 3 (2m cool kit)	SE10725C1	
Viva 3 (5m cool)	SE10655CO	
Viva 3 (5m cool kit)	SE10655C1	
Viva 3 (1m natural)	SE10715NO	
Viva 3 (1m natural kit)	SE10715N1	
Viva 3 (2m natural)	SE10725NO	
Viva 3 (2m natural kit)	SE10725N1	
Viva 3 (0.5m warm)	SE10745WO	
Viva 3 (1m warm)	SE10715WO	
Viva 3 (1m warm kit)	SE10715W1	
Viva 3 (2m warm)	SE10725WO	
Viva 3 (2m warm kit)	SE10725W1	
Viva 3 (5m warm)	SE10655WO	
Viva 3 (5m warm kit)	SE10655W1	

Profiles

PRODUCT	CODE	PAGE
Accent (1500mm)	SE185700	72
Accent (2500mm)	SE185800	
Accent (Internal corner)	SE995950	
Accent (External corner)	SE994950	
Accent (Installation aid)	SE996950	
Accent (End cap kit)	SE993950	
Adapt (1500mm)	SE186790	74
Adapt (2500mm)	SE186890	
Adapt (Bracket set)	SE997950	
Adapt (Drawer brackets)	SE998950	
Adapt (End cap kit)	SE999950	
Adorn (1000mm)	SE190720	80
Beam (1000mm)	SE982120	82
Beam (2200mm)	SE982220	
Beam (End cap set)	SE983050.1	
Beam (Bracket set)	SE984050.1	
Blaze (1500mm)	SE182720	70
Blaze (2500mm)	SE182820	
Blaze (Internal corner)	SE986950	
Blaze (External corner)	SE985950	
Blaze (End cap kit)	SE984950	
Contour (1500mm)	SE98210	88
Contour (2500mm)	SE98220	
Contour (Internal corner)	SE97890	
Contour (External corner)	SE97990	
Contour (End cap kit)	SE97790	
Edge (1m Aluminium)	SE100012AO	90
Edge (1m Black)	SE100013AO	
Edge (1m Brass)	SE100016AO	
Edge Int. Corner (Aluminium)	SE100029AO	
Edge Int. Corner (Black)	SE100023AO	
Edge Int. Corner (Brass)	SE100026AO	
Edge Ext. Corner (Aluminium)	SE100039AO	
Edge Ext. Corner (Black)	SE100033AO	
Edge Ext. Corner (Brass)	SE100036AO	
Fino (AL 1000mm)	SE981120	84
Fino (AL 2000mm)	SE981220	
Fino (AL End cap kit)	SE982050	
Fino (BL 1000mm)	SE981180	
Fino (BL 2000mm)	SE981280	
Fino (BL End cap kit)	SE982080	
Fino (Bracket set)	SE981050	
Flex 13mm (5m black)	SE070003NDPO	100
Flex 13mm (5m white)	SE070004NDPO	
Flex 19mm (5m black)	SE070007NDPO	
Flex 16mm (5m black)	SE070005NDPO	
Flex 16mm (5m white)	SE070006NDPO	
Gamma (1500mm)	SE183720	68
Gamma (2500mm)	SE183820	
Gamma (Internal corner)	SE989950	
Gamma (External corner)	SE988950	
Gamma (End cap kit)	SE987950	
Gamma (Bracket set)	SE910950	
Glow (1000mm)	SE190790	76

PRODUCT	CODE	PAGE
Linia (AL 1000mm)	SE980120	86
Linia (AL 2200mm)	SE980220	
Linia (AL 2500mm)	SE980320	
Linia (AL End cap kit)	SE980180	
Linia (BL 1000mm)	SE980280	
Linia (BL 2200mm)	SE980920	
Linia (BL 2500mm)	SE980380	
Linia (BL End cap kit)	SE980980	
Manta (361mm)	SE27012CO	92
Manta (411mm)	SE27112CO	
Manta (761mm)	SE27412CO	
Manta (861mm)	SE27512CO	
Manta (1161mm)	SE27712CO	
Ray (1500mm)	SE184720	98
Ray (2500mm)	SE184820	
Ray (Internal corner)	SE992950	
Ray (External corner)	SE991950	
Ray (End cap kit)	SE990950	
Ray (Brackets set)	SE911950	
Ray Illuminated (363mm)	SE10032NDNO	
Ray Illuminated (463mm)	SE10042NDNO	
Ray Illuminated (763mm)	SE10072NDNO	
Ray Illuminated (963mm)	SE10092NDNO	
Vector (1500mm)	SE181700	78
Vector (2500mm)	SE181800	
Vector (Internal corner)	SE982950	
Vector (External corner)	SE981950	
Vector (Installation aid)	SE983950	
Vector (End cap kit)	SE993950	
Verona (263 x 329mm)	SE13792NO	106
Verona (363 x 329mm)	SE13092NO	
Verona (463 x 329mm)	SE13292NO	
Verona (563 x 329mm)	SE13392NO	
Verona (763 x 329mm)	SE13492NO	
Verona (863 x 329mm)	SE13592NO	
Verona (963 x 329mm)	SE13692NO	
Expanse (680 x 460mm)	SE14092NO	104
Expanse Pro (680 x 460mm)	SE14092PO	104
Expanse Pro (463 x 523mm)	SE14192PO	
Expanse Pro (563 x 523mm)	SE14292PO	
Expanse Pro (463 x 686mm)	SE14392PO	
Expanse Pro (563 x 686mm)	SE14492PO	
Genoa	SE18592CO	96
Glow (500mm cool)	SE19089CO	94
Glow (600mm cool)	SE19039CO	
Glow (1000mm cool)	SE19079CO	
Glow (500mm natural)	SE19089NO	
Glow (1000mm natural)	SE19079NO	
Glow Pro (500mm CCT)	SE19079P02	
Glow Pro (1000mm CCT)	SE19079P01	
Torino (SL 600mm)	SE17232CO	110
Torino (SL 900mm)	SE17262CO	
Torino (BL 600mm)	SE17238CO	
Torino (BL 600mm)	SE17268CO	
Zella (1500mm)	SE100019NDAO	108
Zella (2500mm)	SE100029NDAO	

Under Cabinet Lighting

PRODUCT	CODE	PAGE
Plaza	SE11090N0	114
Plaza (3 kit)	SE11090N3	
Solo	SE11192N0	115
Solo (3 kit)	SE11192N3	
Treos	SE11290N0	116
Treos (3 kit)	SE11290N3	
Velos	SE11092N0	118
Velos (3 kit)	SE11092N3	
Zeta	SE11190N0	117
Zeta (3 kit)	SE11190N3	
Apex TrioTone®	SE12090T0	122
Apex TrioTone® (3 kit)	SE12090T3	
Ark (Cool)	SE11092C0	120
Ark (Cool 3 kit)	SE11092C3	
Ark (Warm)	SE11092W0	
Ark (Warm 3 kit)	SE11092W3	
Ark Pro	SE11192P0	136
Ark Pro (Receiver kit)	SE11192P3	
Ark Pro (Smart kit)	SE11192PS3	
Ark TrioTone®	SE11092T0	124
Ark TrioTone® (3 kit)	SE11092T3	
Astro TrioTone® (AL)	SE11190T0.1	126
Astro TrioTone® (AL 3 kit)	SE11190T3.1	
Astro TrioTone® (BL)	SE11198T0.1	
Astro TrioTone® (BL 3 kit)	SE11198T3.1	
Astro TrioTone® (BS)	SE11196T0	
Astro TrioTone® (BS 3 kit)	SE11196T3	
Astro TrioTone® (CO)	SE11197T0	
Astro TrioTone® (CO 3 kit)	SE11197T3	
Astro Pro (AL)	SE11190P0	138
Astro Pro (BL)	SE11198P0	
Astro Pro (AL Smart kit)	SE11190PS3	
Astro Pro (BL Smart kit)	SE11198PS3	
Bermuda TrioTone®	SE21000	128
Bermuda TrioTone® (kit)	SE21000K3	
Hype R Pro	SE90150P0	142
Hype R Pro (Black bezel)	SE970980	
Hype TrioTone®	SE21100	129
Hype TrioTone® (3 kit)	SE21100K3	
Horizon Pro	SE11095P0	140
Horizon Pro (smart 3 kit)	SE11095PSK3	
Horizon TrioTone®	SE11095T0	130
Horizon TrioTone® (3 kit)	SE11095T3	
Neo Pro	SE11590P0	144
Neo Pro (Receiver kit)	SE11590P3	
Neo Pro (Smart kit)	SE11590PS3	
NP/NT Black Bezel	SE91598N0	
Neo TrioTone®	SE11590T0	132
Neo TrioTone® (3 kit)	SE11590T3	
NP/NT Black Bezel	SE91598N0	

PRODUCT	CODE	PAGE
Nexus (Cool)	SE11090C0	121
Nexus (Cool 3 kit)	SE11090C3	
Nexus (Warm)	SE11090W0	
Nexus (Warm 3 kit)	SE11090W3	
Nexus TrioTone®	SE11090T0	134
Nexus TrioTone® (3 kit)	SE11090T3	
Axis (222mm)	SE10019N0	146
Axis (343mm)	SE10029N0	
Axis (524mm)	SE10079N0	
Axis (904mm)	SE10099N0	
Connex (222mm)	SE100190	147
Connex (343mm)	SE100290	
Connex (524mm)	SE100790	
Connex (904mm)	SE100990	
Connex TrioTone® (343mm)	SE100490	148
Connex TrioTone® (524mm)	SE100590	
Connex TrioTone® (623mm)	SE100690	
Connex TrioTone® (904mm)	SE100890	
Corner Pantry Pack	SE13195N0	149

Plinth Spotlights

PRODUCT	CODE	PAGE
Halo TrioTone®	SE150000	154
Halo TrioTone® (4 kit)	SE150004	
Iris	SE15990N0	152
Iris (4 kit)	SE15990N4	
Luce TrioTone®	SE15090T0	153
Luce TrioTone® (4 kit)	SE15090T4	
Stellar Pro	SE15190P0	155
Stellar Pro (4 kit)	SE15190PS4	
Stellar Pro (10 kit)	SE15190PS10	

Battery, Drawer & Wardrobe

PRODUCT	CODE	PAGE
Alto (562mm)	SE53002CO	
Alto (962mm)	SE53202CO	158
Adapter (USB-pin)	03.2005.0800	
Incline (350mm)	SE20242CO	
Incline (550mm)	SE20252CO	159
Incline (850mm)	SE20272CO	
Adapter (USB-Micro USB)	SE2007000	
Magnum (chrome)	SE3391NO	161
Magnum (s. steel)	SE3300NO	
Strata (200mm)	SE11002NO	162
Strata (400mm)	SE11102NO	
Verso (462mm)	SE7300HDNW.24	
Verso (562mm)	SE7305HCNW.24	160
Verso (862mm)	SE7315HCNW.24	
Verso (962mm)	SE7320HCNW.24	
Opus (235mm)	SE140012NO	164
Opus (405mm)	SE140022NO	

Ceiling & Feature Lighting

PRODUCT	CODE	PAGE
Cara (white)	SE62099NO	
Cara Bezel (Black)	SE630970	176
Cara Bezel (Chrome)	SE630910	
Elena TrioTone® (Black)	SE62198TO	
Elena TrioTone® (Chrome)	SE62191TO	177
Elena TrioTone® (White)	SE62199TO	
Pure TrioTone®	SE62299TO	172
Solinas (cool)	SE82098CO	169
Solinas (warm)	SE82098WO	
TrioTone® IP65 Fire Rated Downlight	SE62095TO	170
TrioTone® Circa (clear)	SE62094TO	
TrioTone® Circa (tint)	SE62294TO	174
TrioTone® Cube (clear)	SE62194TO	
TrioTone® Cube (tint)	SE62394TO	
Dual Power		
TrioTone® Circa (clear)	SE62094TO	
TrioTone® Circa (tint)	SE62294TO	175
TrioTone® Cube (clear)	SE62194TO	
TrioTone® Cube (tint)	SE62394TO	
TrioTone® Downlight Bezel		
Black	SE620980	
Brass	SE620970	172
Chrome	SE631910	
Copper	SE601970	
Stainless Steel	SE620900	
Zirconia	SE32101WO	168

SensioPod Pop-Up Sockets

PRODUCT	CODE	PAGE
SensioPod E (SS)	SE891900	
SensioPod E (AL)	SE894920	180
SensioPod E (BL)	SE894930	
SensioPod M	SE892920	181
SensioPod M Bluetooth	SE893920	182

Lighting Control & Accessories

PRODUCT	CODE	PAGE
Kinetic Receiver (240V)	SE780990	192
Kinetic Switch (1 gang)	SE781990	
Kinetic Switch (2 gang)	SE782990	192
Kinetic Switch (3 gang)	SE783990	
Link-S (Receiver, Magnet & Reed Switch)	SE79095	197
Receiver (Dimming)	SE772990	
Receiver (CCT)	SE771990	194
Receiver (RGB CCT)	SE770990	
Titan+ 6W	SE495950	
Titan+ 15W	SE496950	
Titan+ 30W	SE497950	188
Titan+ 60W	SE150004A0	
Titan+ Door Sensor	SE493250	
Titan+ IR Sensor	SE490250	188
Titan+ PIR Sensor	SE491250	
Titan+ Push Switch	SE492250	
Titan+ Sensor Adapter	SE797990	
Titan+ Double Door Sensor Adapter	SE797991	188
Titan+ Wireless		
IR Sensor	SE900030	
IR Sensor & Receiver	SE900530	
PIR Sensor	SE900130	
PIR Sensor & Receiver	SE900630	190
Touch Button	SE900230	
Touch Button & Receiver	SE900730	
Door Sensor	SE900330	
Door Sensor & Receiver	SE900830	
Receiver	SE900430	
Titan Dimmable 15W	SE40799	
Titan Dimmable 30W	SE40899	187
Titan Dimmable 60W	SE40699	
Kinetic		
Titan Smart 15W (SC)	SE406581	
Titan Smart 30W (SC)	SE406591	192
Titan Smart 15W (CCT)	SE406582	
Titan Smart 30W (CCT)	SE406592	
Titan Smart RGB CCT	SE405595	193
Universal Remote Control	SE770390	194
Wireless PIR & Receiver	SE790980	196
Wireless PIR Sensor	SE791980	

FAQ

Do you have a question about our products or services? Answers to some common questions can be found below. If you have a question that is not answered here, please visit our website or call us for further information.

Do you offer a product guarantee?

We offer a 5-year guarantee across all kitchen and bedroom products. For full terms and conditions, please visit [sensiolighting.com/pages/sensio-guarantee](https://www.sensiolighting.com/pages/sensio-guarantee)

Where can I find further technical details and installation information?

Head to the product pages of www.sensiolighting.com. At the bottom of each product page you will find technical specifications and installation guides.

GET IN TOUCH

We hope you enjoy this Sensio brochure and are inspired to discover how lighting can transform the home.

Get the latest in lighting

Keep up to date with product news and information from us at Sensio.



/sensiolighting



@sensiolighting



/sensiolighting



/sensiolighting



@sensiolighting



/sensiolighting

sensio[®]



**BRITISH
INSTITUTE OF
KBB INSTALLATION
SPONSOR**