



Blum ORGA-LINE for Cutlery



Specially designed to suit the contoured sides of the Blum TANDEMBOX drawer, ORGA-LINE is available to suit drawer widths from 450 mm - 1000 mm.

Individual cutlery trays are easily moved to suit your own requirements and they are also dishwasher safe, ensuring easy cleaning and maintenance. Blum ORGA-LINE provides a hard wearing, long lasting solution to all your storage needs.

You also have the option to add in knife holders or foil and film dispensers.



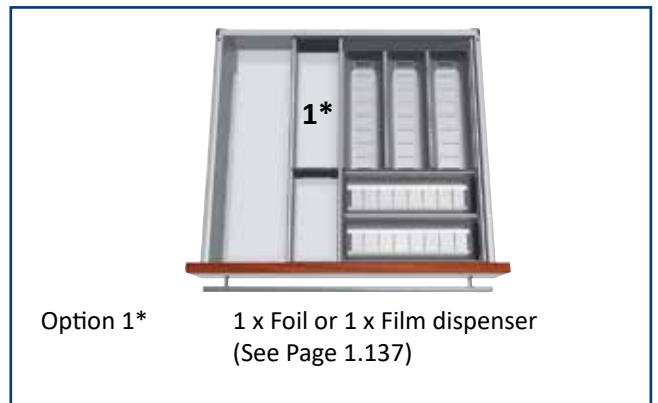
Easy to remove



Simple to adjust



Dishwasher safe



Option 1*

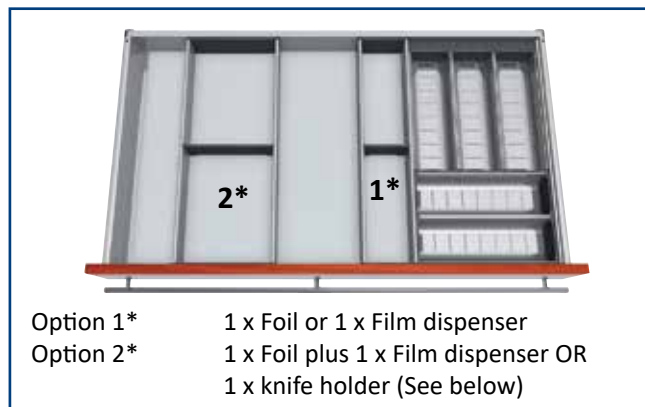
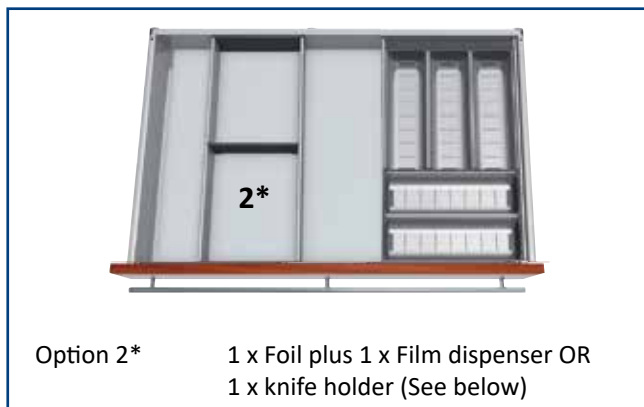
1 x Foil or 1 x Film dispenser
(See Page 1.137)

450 - 500 mm wide drawers for Cutlery

Drawer Depth	Art. No.
450 mm	BOLC45500
500 mm	BOLC50500

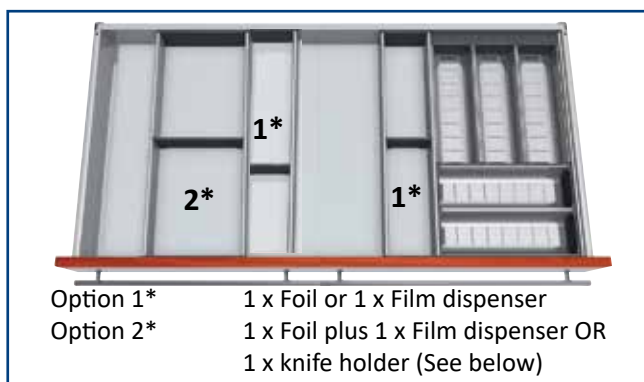
600 mm wide drawers for Cutlery

Drawer Depth	Art. No.
450 mm	BOLC45600
500 mm	BOLC50600



800 mm wide drawers for Cutlery	
Drawer Depth	Art. No.
450 mm	BOLC45800
500 mm	BOLC50800

900 mm wide drawers for Cutlery	
Drawer Depth	Art. No.
450 mm	BOLC45900
500 mm	BOLC50900



1000 mm wide drawers for Cutlery	
Drawer Depth	Art. No.
450 mm	BOLC45100
500 mm	BOLC50100

ORGA-LINE tin foil dispenser with cutter	
Drawer Depth	Art. No.
n/a	BZSZ02F0



ORGA-LINE Cling Film dispenser with cutter	
Drawer Depth	Art. No.
n/a	BZSZ01F0

ORGA-LINE knife holder	
Drawer Depth	Art. No.
n/a	BZSZ02M0

DRAWER ORGANISATION SYSTEMS

Blum ORGA-LINE for Odds & Ends

Drawer Systems



Every kitchen has a drawer where odds and ends, utensils or small electric appliances are stored.

The simple addition of an ORGA-LINE universal tray can help to organise these drawers.

You can also add the knife holder, foil and film dispensers to the universal trays.



Easy to adjust with spring loaded dividers



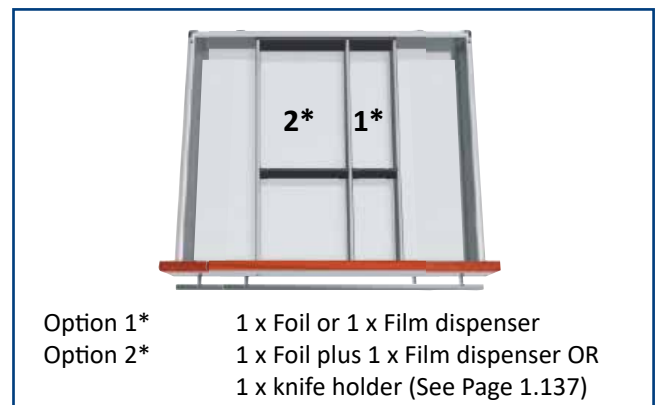
Ideal storage for odds and ends in the kitchen



Option 2* 1 x Foil plus 1 x Film dispenser OR 1 x knife holder (See Page 1.137)

450 - 500 mm wide drawers for Utensil

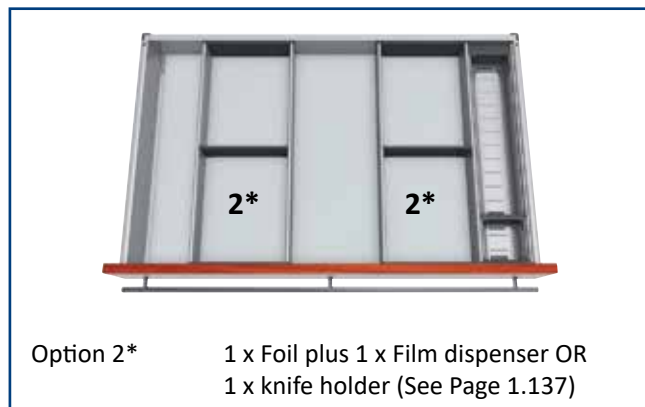
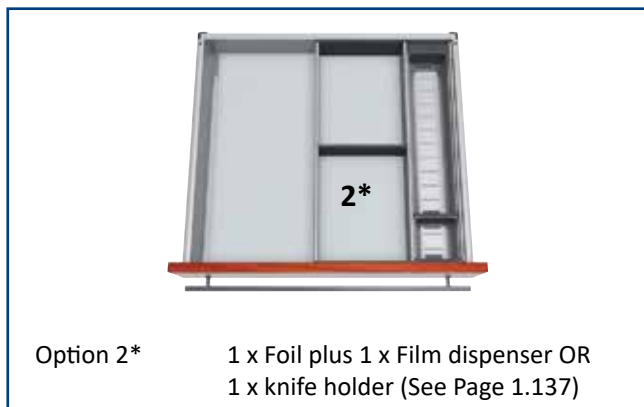
Drawer Depth	Art. No.
450 mm	BOLU45500
500 mm	BOLU50500



Option 1* 1 x Foil or 1 x Film dispenser
Option 2* 1 x Foil plus 1 x Film dispenser OR 1 x knife holder (See Page 1.137)

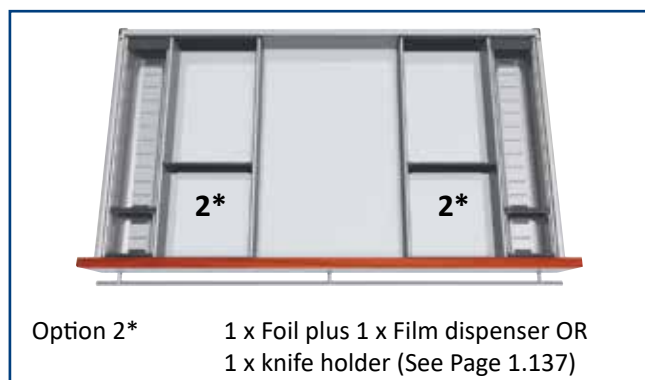
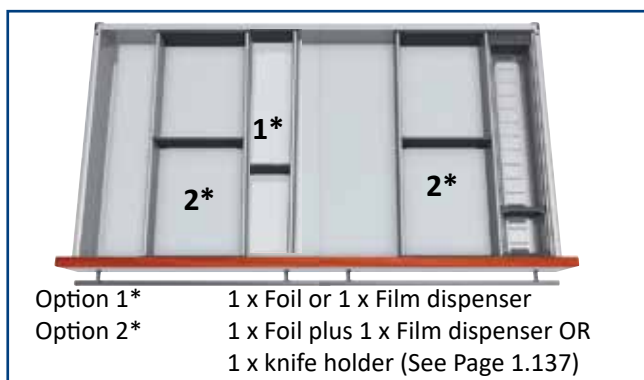
600 mm wide drawers for Utensil

Drawer Depth	Art. No.
450 mm	BOLU45600
500 mm	BOLU50600



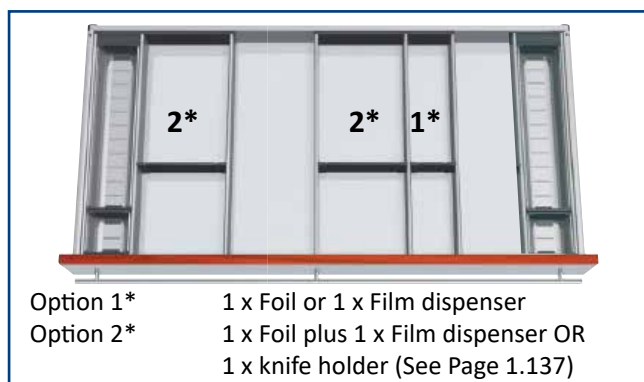
600 mm wide drawers for Utensil (option 2)	
Drawer Depth	Art. No.
450 mm	BOLU45602
500 mm	BOLU50602

800 mm wide drawers for Utensil	
Drawer Depth	Art. No.
450 mm	BOLU45800
500 mm	BOLU50800



900 mm wide drawers for Utensils	
Drawer Depth	Art. No.
450 mm	BOLU45900
500 mm	BOLU50900

900 mm wide drawers for Utensils (option 2)	
Drawer Depth	Art. No.
450 mm	BOLU45902
500 mm	BOLU50902



1000 mm wide drawers for Utensils	
Drawer Depth	Art. No.
450 mm	BOLU45100
500 mm	BOLU50100

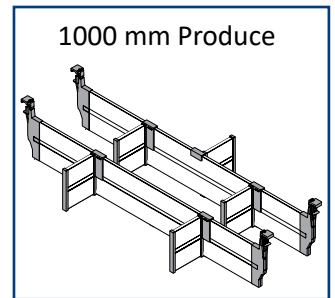
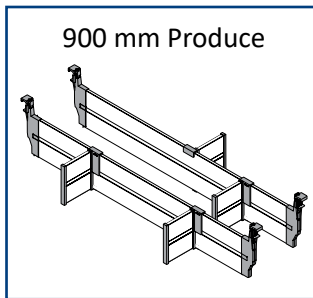
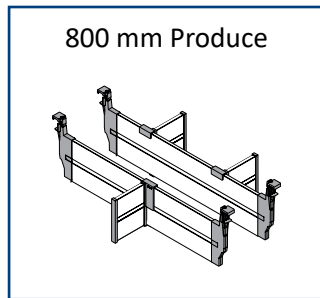
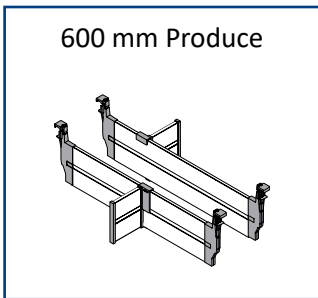
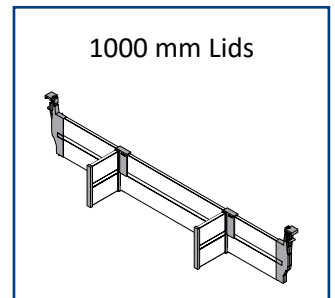
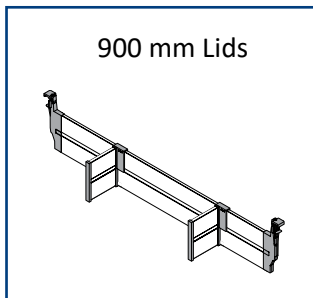
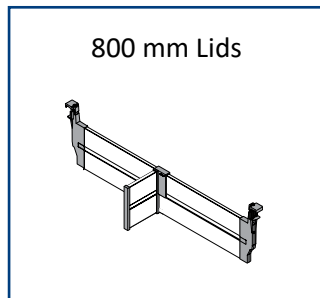
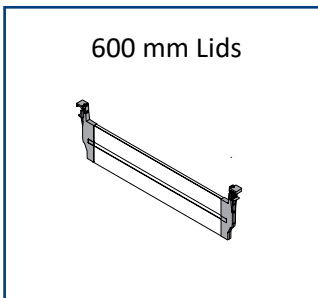
DRAWER ORGANISATION SYSTEMS

Blum ORGA-LINE for Antaro Pot Drawers



ORGA-LINE A for Antaro pot drawers


- Colour coordinated White Aluminium
- Suitable for C and D Height pot drawers
- Stepless positioning
- Kits for pot/tupperware lids or produce
- Cut to Suit options for White Alu and Inox drawers
- Inox dividers with R737 Grey connectors



TANDEMBOX Antaro A Divider Kits

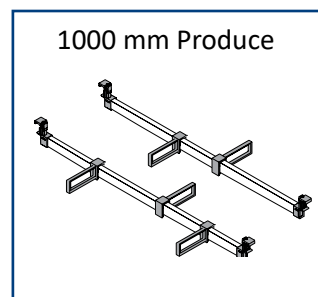
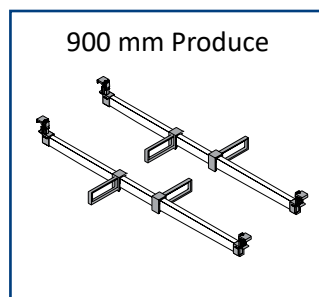
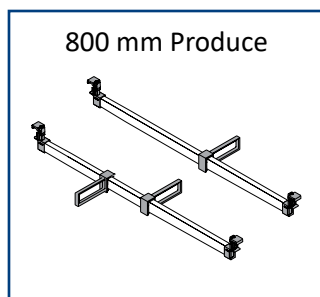
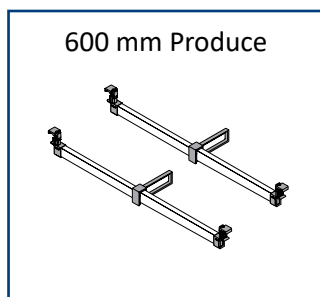
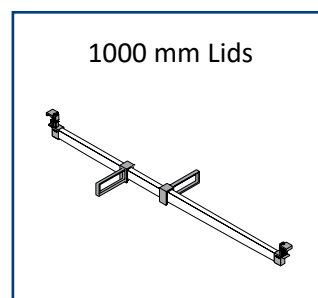
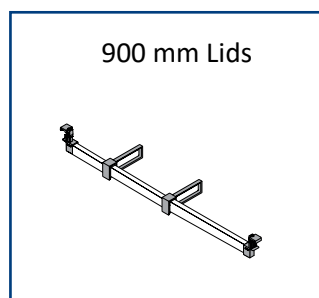
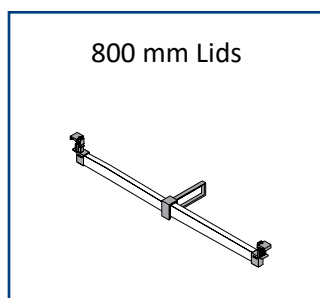
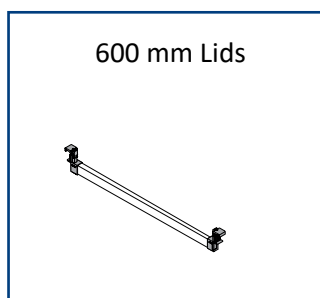
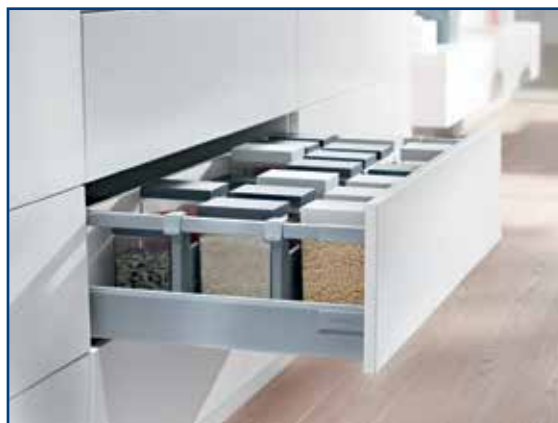
Application	Cabinet Width	Cross Dividers	Lateral Dividers	Finish	Art Nr
Lids	600	1	0	White Aluminium	BZ40A61
	800	1	1	White Aluminium	BZ40A81
	900	1	2	White Aluminium	BZ40A91
	1000	1	2	White Aluminium	BZ40A101
Produce	600	2	2	White Aluminium	BZ40A62
	800	2	3	White Aluminium	BZ40A82
	900	2	4	White Aluminium	BZ40A92
	1000	2	5	White Aluminium	BZ40A102

TANDEMBOX Antaro A Divider Kits (Cut to Suit)

 Internal Cabinet width - 87 mm	Description	White Aluminium	Inox
	Cross Divider Cut-to-Suit 1077 mm	Z40L1077A	Z40L1077AI
	Cross Divider A Connectors	Z40C0002Z	Z40C0002ZG
	Lateral Dividers	Z43L100S	Z43L100SI

ORGA-LINE S for Antaro pot drawers

- Colour coordinated White Aluminium
- Suitable for C and D Height pot drawers
- Stepless positioning
- Kits for pot/tupperware lids or produce
- Cut to Suit options for White Alu and Inox drawers
- Inox dividers with R737 Grey connectors



TANDEMBOX Antaro S Divider Kits

Application	Cabinet Width	Cross Dividers	Lateral Dividers	Finish	Art Nr
Lids	600	1	0	White Aluminium	BZ40S61
	800	1	1	White Aluminium	BZ40S81
	900	1	2	White Aluminium	BZ40S91
	1000	1	2	White Aluminium	BZ40S101
Produce	600	2	2	White Aluminium	BZ40S62
	800	2	3	White Aluminium	BZ40S82
	900	2	4	White Aluminium	BZ40S92
	1000	2	5	White Aluminium	BZ40S102

TANDEMBOX Antaro S Divider Kits (Cut to Suit)


 Internal Cabinet width - 63 mm	Description	White Aluminium	Inox
	Cross Divider Cut-to-Suit 1077 mm	ZRG1104Q	ZRG1104QI
	Cross Divider S Connectors	ZRU11E0	ZRU11E0G
	Lateral Dividers	ZRU11F0	ZRU11F0G

Plate and Spice Holders

ORGA-LINE Plate Holders



- ORGA-LINE plate holder for plate storage and transport
- For high front pull outs
- For drawer lengths 450 mm - 650 mm
- Stainless Steel/Grey Finish
- Easy adjustment for various diameter plates

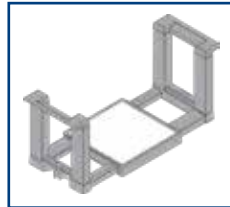


Plate Holder for TANDEMBOX

Nominal Length	Art. No.
Diameter of plates	186 mm - 322 mm
Overall height	170 mm
Stacking height of plates	146 mm
Packing Units	1 Piece
Art Nr	BZTH0350

ORGA-LINE Spice Racks



- Antislip device through flexible base fixing bracket
- Removable with easy grip handles
- For all spice dimensions
- Nylon / Stainless steel

Spice Racks for TANDEMBOX

Cabinet Width	Art. No.	P.U
300 mm	BZfZ30GOI	1 Set (2 pcs)
400 mm	BZfZ40GOI	1 Set (2 pcs)


Kitchen Accessory Kit



Complete kitchen accessory kit consisting of:

- 2 x Plate holders (above)
- 2 x Spice holders 300 mm (above)
- 1 x Foil dispenser (page 1.137)
- 1 x Film dispenser (page 1.137)
- 1 x Knife holder (page 1.137)

Kitchen Accessory Kit

Art. No.	P.U
BZOU30U1I 	1 Set