



One Programme, two lines, many designs

A single Box system to meet all your customer's requirements? You can do it with the TANDEMBOX Programme.

TANDEMBOX antaro offers a multitude of design possibilities. They are all based on the tried and tested TANDEMBOX cabinet profile. Both lines offers a comprehensive range of applications, ranging from standard solutions to special applications such as the sink pull-out or SPACE TOWER.



All TANDEMBOX Programme lines are based on the tried and tested TANDEMBOX cabinet profile. Its smooth running action has been impressing users for many years now. The low-friction cylindrical nylon roller runners ensure high quality of motion for load bearing classes of 30 and 65 kg. A furniture lifetime. Numerous motion and load bearing tests ensure this quality standard.

Technological developments

Over the course of the development of TIP-ON BLUMOTION for TANDEMBOX, some of the main functions of the existing system were also optimised.

These tangible improvements to the technology mean even greater quality of motion.



The TANDEMBOX cabinet profile is a tried and tested solution; in fact fully loaded pull-outs are tested with 100,000 opening and closing cycles in Blum's test labs to guarantee top standards of quality.

Low-friction cylindrical nylon rollers guarantee a feather-light glide and dynamic carrying capacities of 30 kg, and 65 kg. BLUMOTION ensures that drawers and pull-outs close softly and effortlessly.

TANDEMBOX is a versatile Programme offering a range of design possibilities.

Easy opening

Lower opening forces and an even smoother transition to the feather-light glide improve performance from the moment you open the pull-out.



Quality to the touch

You can feel the increased stability provided by the combination of the optimised drawer side and new front fixing bracket.



Optimised feather-light glide

Components in the drawer side and cabinet profile have been further developed to optimise the feather-light glide of TANDEMBOX and the smooth running action.





TANDEMBOX Antaro

- Concealed, guided, full extension
- Integrated BLUMOTION soft close
- TIP-ON BLUMOTION
- Unparalleled running action for the lifetime of the furniture
- Orion Grey or White Aluminium finish
- 30 kg weight carrying capacity
- 65 kg weight carrying capacity
- Tool free assembly option
- 2 dimensional front adjustment
- SPACETOWER plus Inner fronts

TANDEMBOX Antaro

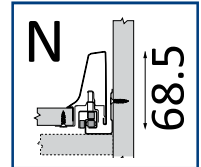
Programme	Page Nr.
Standard A Profile	1.46
Antaro Pot Drawer C Height	1.50
Antaro Pot Drawer D Height	1.52
Antaro Space Tower	1.54
Antaro Inner Fronts	1.55
Antaro Sink Drawer	1.56
Antaro Space Tower	1.57
Antaro Handles	1.58
Antaro Accessories	1.59
Antaro Bases and Backs	1.60
Antaro Assembly and Technical	1.61

Blum TANDEMBOX A-Profile Shallow Drawer

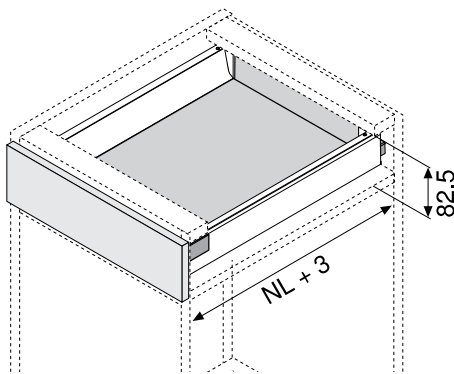


TANDEMBOX A Profile Shallow drawer

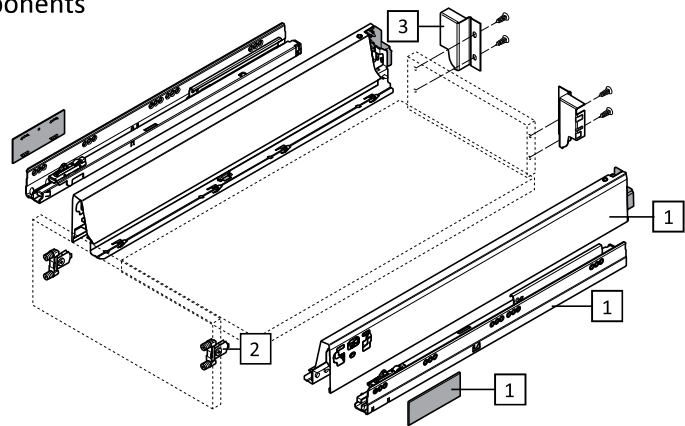
- Concealed, guided, full extension
- Integrated BLUMOTION soft close
- Drawer side height N = 68.5 mm
- Front height ≥ 100 mm (Bottom drawer 18 mm overlay)
- Unparalleled running action for the lifetime of the furniture
- White Aluminium or Orion Grey finish
- 30kg weight carrying capacity
- Tool free assembly option
- 2 dimensional front adjustment
- Optional TIP-ON BLUMOTION (See page 1.118)



Space Requirement

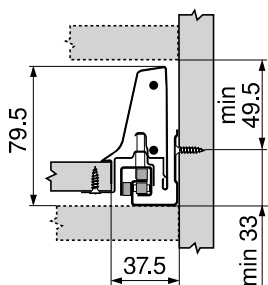


Components

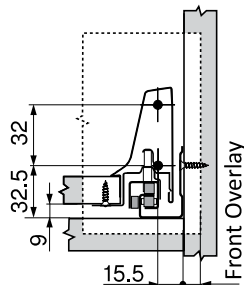


- | | | | |
|----|-----------------------|----|---------------|
| 1. | Runners and Sides | 3. | Cover caps |
| 2. | Front-fixing brackets | 4. | Back brackets |

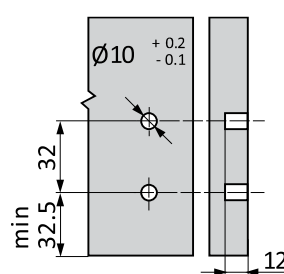
Height Requirement



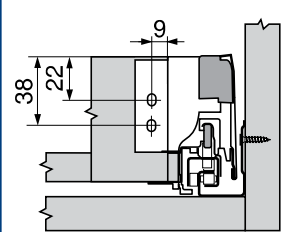
Installation for screw on front-fixing bracket



Front drilling for INSERTA front-fixing brackets



Back installation dimensions



Note: For runner positions and base and back cutting dimensions see Page 1.61

Blum TANDEMBOX A-Profile Shallow Drawer

Drawer Sides and Runners - 30 kg



1

Nominal Length	White Aluminium	P.U	Orion Grey	P.U
500 mm	B378N500A	20		20

Drawer Sides and Runners - 65 kg

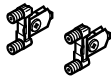


1

Nominal Length	White Aluminium	P.U	Orion Grey	P.U
500 mm	B376N500A	20		20

Front-fixing brackets

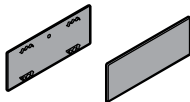
2



Front Brackets (2 Pcs Required)	Screw On	P.U	INSERTA	P.U
	BZSF3502	500	BZSF3902	500

Cover Caps

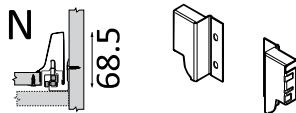
3



Cover Cap (2 Pcs Required)	Plain Cover Cap	P.U	Cap with Logo	P.U
	BZAA532C	1000	BZAA532CL	1000

Back Brackets for Wooden Backs

4



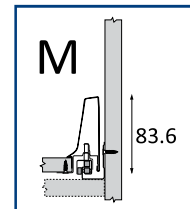
Back set	White Aluminium	Orion Grey	P.U
	BZ30N000SET		50

Blum TANDEMBOX A-Profile M Height Standard Drawer

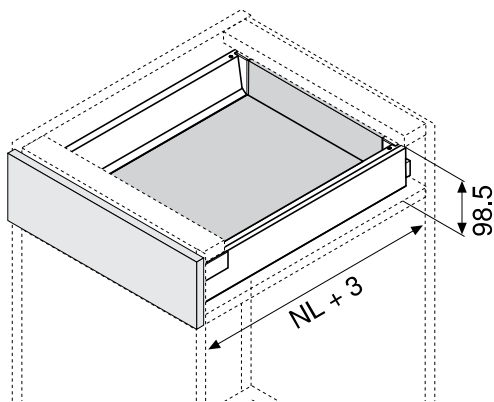


TANDEMBOX A Standard height drawer

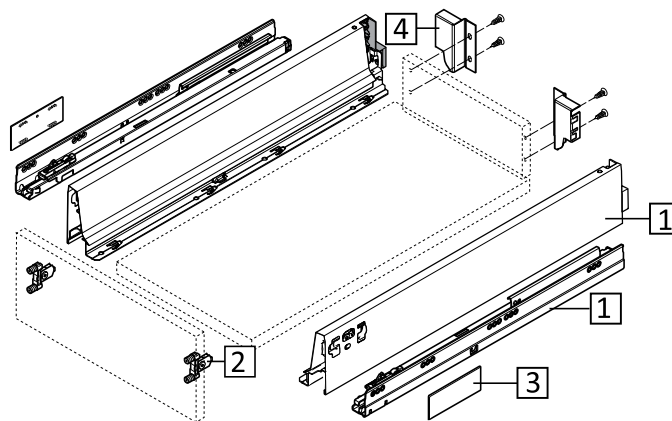
- Concealed, guided, full extension
- Integrated BLUMOTION soft close
- Drawer side height M = 83.6 mm
- Front height ≥ 115 mm (Bottom drawer 18 mm overlay)
- Unparalleled running action for the lifetime of the furniture
- White Aluminium or Orion Grey finish
- 30 kg weight carrying capacity 270 - 500 mm
- 65 kg weight carrying capacity 450 - 650 mm
- Tool free assembly option
- 2 dimensional front adjustment
- Optional TIP-ON BLUMOTION (See page 1.118)



Space Requirement

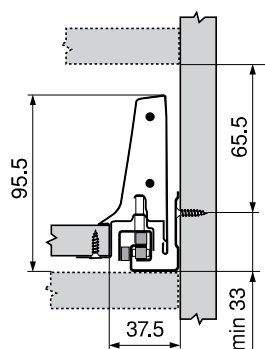


Components

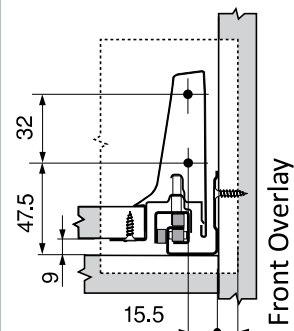


- | | | | |
|----|-----------------------|----|---------------|
| 1. | Runners and Sides | 3. | Cover caps |
| 2. | Front-fixing brackets | 4. | Back brackets |

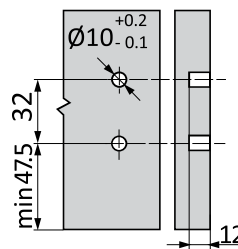
Height Requirement



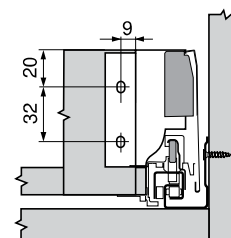
Installation for screw on front-fixing bracket



Front drilling for INSERTA front-fixing brackets



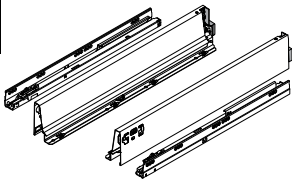
Back installation dimensions



Note: For runner positions and base and back cutting dimensions see Page 1.61

Blum TANDEMBOX A-Profile M Height Standard Drawer

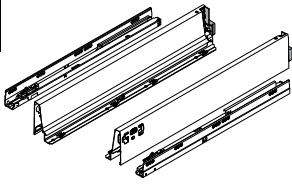
Drawer Sides and Runners - 30 kg



1

Nominal Length	White Aluminium	P.U	Orion Grey	P.U
270 mm	B378M270A	20	B378M270OG	20
350 mm	B378M350A	20	B378M350OG	20
400 mm	B378M400A	20	B378M400OG	20
450 mm	B378M450A	20	B378M450OG	20
500 mm	B378M500A	20	B378M500OG	20

Drawer Sides and Runners - 65 kg

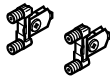


1

Nominal Length	White Aluminium	P.U	Orion Grey	P.U
450 mm	B376M450A	20	B376M450OG	20
500 mm	B376M500A	20	B376M500OG	20
550 mm	B376M550A	20		
650 mm	B376M650A	20		

Front-fixing brackets

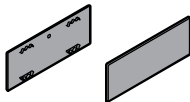
2



Front Brackets (2 Pcs Required)	Screw On	P.U	INSERTA	P.U
	BZSF3502	500	BZSF3902	500

Cover Caps

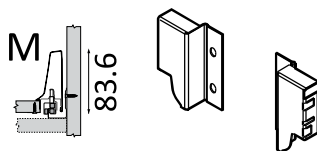
3



Cover Cap (2 Pcs Required)	Plain Cover Cap	P.U	Cap with Logo	P.U
	BZAA532C	1000	BZAA532CL	1000

Back Brackets for Wooden Backs

4



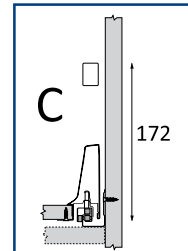
	White Aluminium	Orion Grey	P.U
Left Bracket	BZ30M000L	BZ30M000LOG	50
Right Bracket	BZ30M000R	BZ30M000ROG	50
Steel Backs	Page 1.60		

Blum TANDEMBOX A-Profile C Height Square Rail

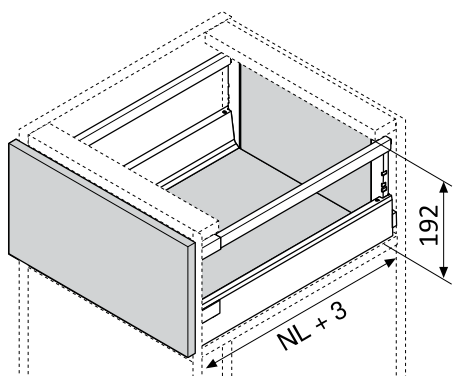


TANDEMBOX A-Profile Antaro C Height Pot drawer

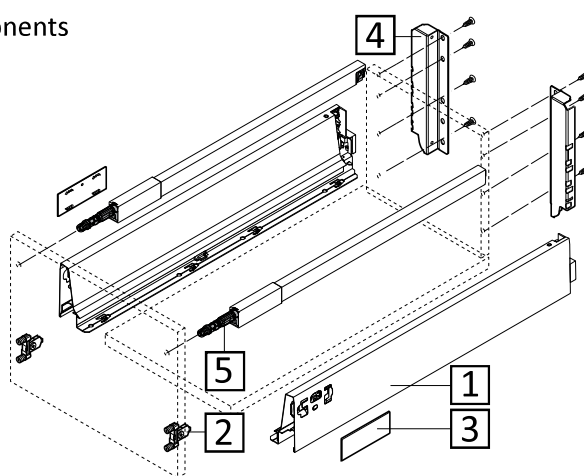
- Concealed, guided, full extension
- Integrated BLUMOTION soft close
- Front height ≥ 205 mm (Bottom drawer 18 mm overlay)
- Unparalleled running action for the lifetime of the furniture
- White Aluminium or Orion Grey Finish
- 30 kg weight carrying capacity 270 - 500 mm
- 65 kg weight carrying capacity 450 - 650 mm
- Tool free assembly option
- 3 dimensional front adjustment
- Optional TIP-ON BLUMOTION (See page 1.118)



Space Requirement

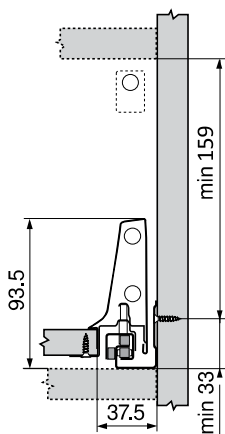


Components

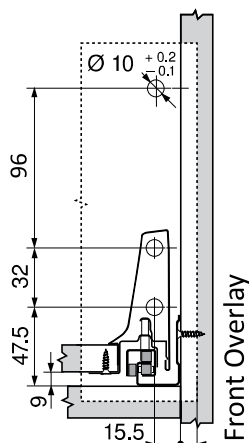


- | | |
|--------------------------|------------------|
| 1. Runners and Sides | 4. Back brackets |
| 2. Front-fixing brackets | 5. Gallery Rails |
| 3. Cover caps | |

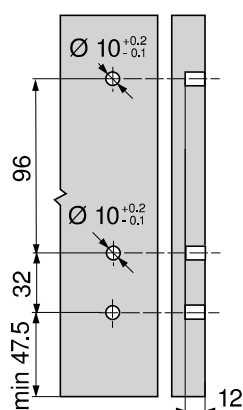
Height Requirement



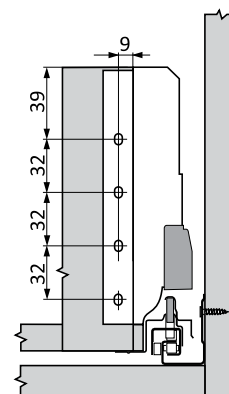
Installation for screw on front-fixing bracket



Front drilling for INSERTA front-fixing brackets



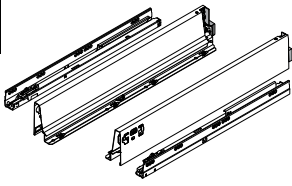
Back installation dimensions



Note: For runner positions and base and back cutting dimensions see Page 1.61

Blum TANDEMBOX A-Profile C Height Square Rail

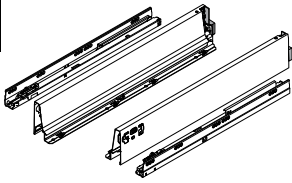
Drawer Sides and Runners - 30 kg



1

Nominal Length	White Aluminium	P.U	Orion Grey	P.U
270 mm	B378M270A	20	B378M270OG	20
350 mm	B378M350A	20	B378M350OG	20
400 mm	B378M400A	20	B378M400OG	20
450 mm	B378M450A	20	B378M450OG	20
500 mm	B378M500A	20	B378M500OG	20

Drawer Sides and Runners - 65 kg

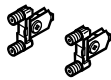


1

Nominal Length	White Aluminium	P.U	Orion Grey	P.U
450 mm	B376M450A	20	B376M450OG	20
500 mm	B376M500A	20	B376M500OG	20
550 mm	B376M550A	20	B376M550OG	20
650 mm	B376M650A	20	B376M650OG	20

Front-fixing brackets

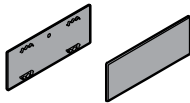
2



Front Brackets (2 Pcs Required)	Screw On BZSF3502	P.U 500	INSERTA BZSF3902	P.U 500
------------------------------------	----------------------	------------	---------------------	------------

Cover Caps

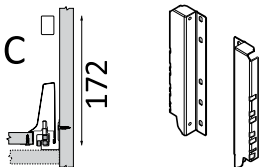
3



Cover Cap (2 Pcs Required)	Plain Cover Cap BZAA532C	P.U 1000	Cap with Logo BZAA532CL	P.U 1000
-------------------------------	-----------------------------	-------------	----------------------------	-------------

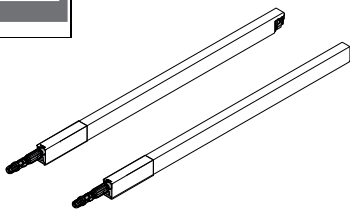
C Height Back Brackets for Wooden Backs

4



	White Aluminium	Orion Grey	P.U
Left Bracket	BZ30C000L	BZ30C000LOG	50
Right Bracket	BZ30C000R	BZ30C000ROG	50
Steel Backs	Page 1.60		

Antaro INSERTA Gallery Rails



5

Screw On Galleries see page 1.59

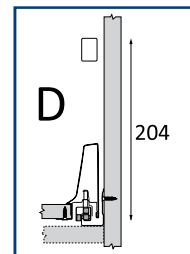
Nominal Length	White Aluminium	Orion Grey	P.U
270 mm	BZRG207	BZRG207OG	100
350 mm	BZRG287	BZRG287OG	100
400 mm	BZRG337	BZRG337OG	100
450 mm	BZRG387	BZRG387OG	100
500 mm	BZRG437	BZRG437OG	100
550 mm	BZRG487	BZRG487OG	100
650 mm	BZRG587	BZRG587OG	100

Blum TANDEMBOX A-Profile D Height Square Rail

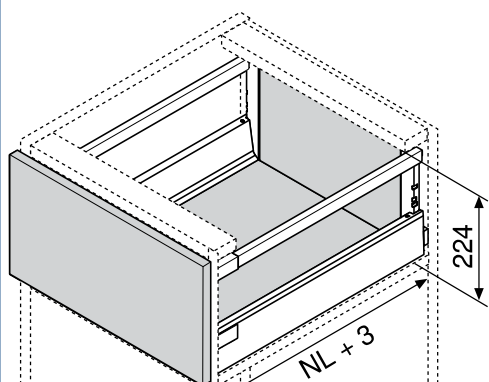


TANDEMBOX A-Profile Antaro D height Pot drawer

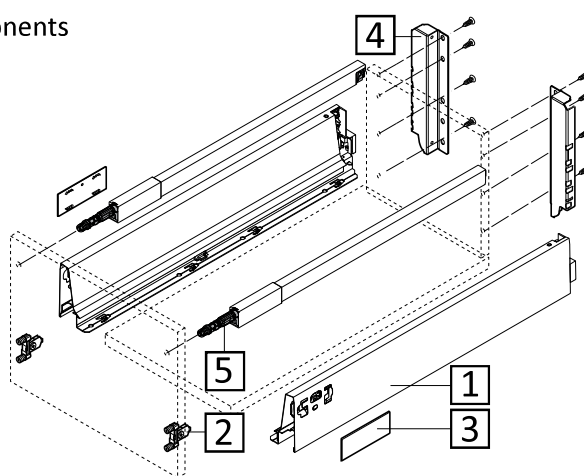
- Concealed, guided, full extension
- Integrated BLUMOTION soft close
- Front height ≥ 237 mm (Bottom drawer 18 mm overlay)
- Unparalleled running action for the lifetime of the furniture
- White Aluminium or Orion Grey Finish
- 30 kg weight carrying capacity 270 - 500 mm
- 65 kg weight carrying capacity 450 - 650 mm
- Tool free assembly option
- 3 dimensional front adjustment
- Optional TIP-ON BLUMOTION (See page 1.118)



Space Requirement

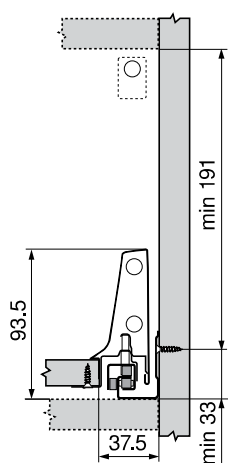


Components

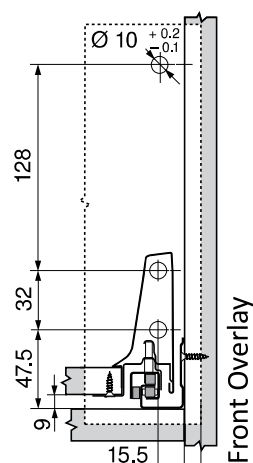


- | | | | |
|----|-----------------------|----|---------------|
| 1. | Runners and Sides | 4. | Back brackets |
| 2. | Front-fixing brackets | 5. | Gallery Rails |
| 3. | Cover caps | | |

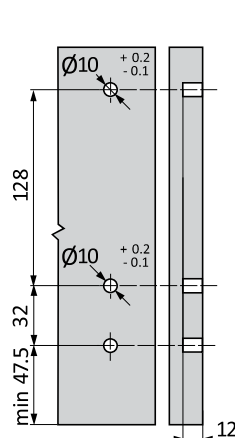
Height Requirement



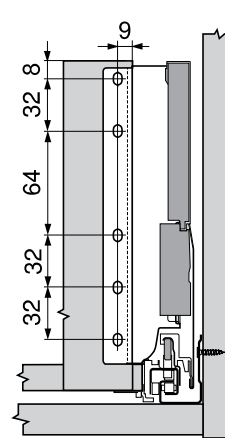
Installation for screw on front-fixing bracket



Front drilling for INSERTA front-fixing brackets



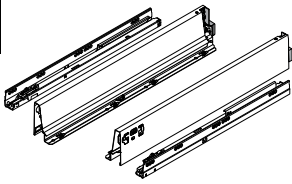
Back installation dimensions



Note: For runner positions and base and back cutting dimensions see Page 1.61

Blum TANDEMBOX A-Profile D Height Square Rail

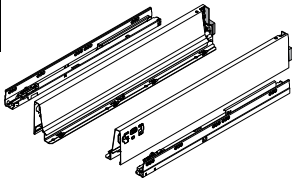
Drawer Sides and Runners - 30 kg



1

Nominal Length	White Aluminium	P.U	Orion Grey	P.U
270 mm	B378M270A	20	B378M270OG	20
350 mm	B378M350A	20	B378M350OG	20
400 mm	B378M400A	20	B378M400OG	20
450 mm	B378M450A	20	B378M450OG	20
500 mm	B378M500A	20	B378M500OG	20

Drawer Sides and Runners - 65 kg

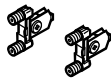


1

Nominal Length	White Aluminium	P.U	Orion Grey	P.U
450 mm	B376M450A	20	B376M450OG	20
500 mm	B376M500A	20	B376M500OG	20
550 mm	B376M550A	20	B376M550OG	20
650 mm	B376M650A	20	B376M650OG	20

Front-fixing brackets

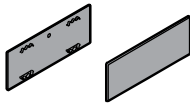
2



Front Brackets (2 Pcs Required)	Screw On BZSF3502	P.U 500	INSERTA BZSF3902	P.U 500
------------------------------------	----------------------	------------	---------------------	------------

Cover Caps

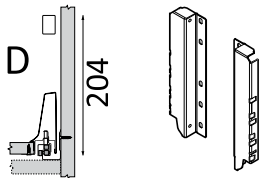
3



Cover Cap (2 Pcs Required)	Plain Cover Cap BZAA532C	P.U 1000	Cap with Logo BZAA532CL	P.U 1000
-------------------------------	-----------------------------	-------------	----------------------------	-------------

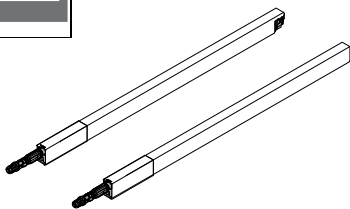
D Height Back Brackets for Wooden Backs

4



	White Aluminium	Orion Grey	P.U
Left Bracket	BZ30D000L	BZ30D000LOG	50
Right Bracket	BZ30D000R	BZ30D000ROG	50
Steel Backs	Page 1.60		

Antaro INSERTA Gallery Rails



5

Screw On Galleries see page 1.59

Nominal Length	White Aluminium	Orion Grey	P.U
270 mm	BZRG207	BZRG207OG	100
350 mm	BZRG287	BZRG287OG	100
400 mm	BZRG337	BZRG337OG	100
450 mm	BZRG387	BZRG387OG	100
500 mm	BZRG437	BZRG437OG	100
550 mm	BZRG487	BZRG487OG	100
650 mm	BZRG587	BZRG587OG	100



TANDEMBOX SPACE TOWER Solutions

- Complete set of components to manufacture a Blum Larder or Pantry Unit
- Includes 4 pieces of ZERO protrusion hinge
- Larder Units in 400, 500 and 600 mm cabinets widths c/w 5 C-height drawers
- Pantry units in 800 & 1000 mm cabinet widths c/w 1 M-height inner drawer, 2 C-height drawers 30 kg & 2 C-height drawers 65 kg
- Steel backs for all white aluminium drawers
- Antaro inner fronts in White Aluminium and Orion Grey
- Min. internal carcass depth 503 mm

TANDEMBOX SPACE TOWER UNITS

Cabinet Width	Antaro White Aluminium	Antaro Orion Grey	P.U
400 mm	BPA400C	BPI400D	1 set
500 mm	BPA500C	BPI500D	1 set
600 mm	BPA600C	BPI600D	1 set
	5 x C-Height drawers	5 x D-Height drawers	

Cabinet Width	Antaro White Aluminium / Glass	Antaro Orion Grey / Glass	P.U
400 mm	BPA400CG	BPI400DG	1 set
500 mm	BPA500CG	BPI500DG	1 set
600 mm	BPA600CG	BPI600DG	1 set
	5 x C-Height drawers	5 x D-Height drawers	

TANDEMBOX ANTARO PANTRY UNIT

Cabinet Width	Antaro White Aluminium	Antaro Orion Grey	P.U
800 mm	BPA800C	BPI800D	1 set
1000 mm	BPA1000C	BPI1000D	1 set
	4xC + 1xM High drawers	4xD + 1xM High drawers	

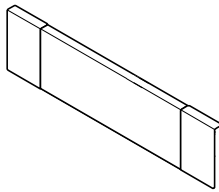
Cabinet Width	Antaro White Aluminium / Glass	Antaro Orion Grey / Glass	P.U
800 mm	BPA800CG	BPI800DG	1 set
1000 mm	BPA1000CG	BPI1000DG	1 set
	4xC + 1xM High drawers	4xD + 1xM High drawers	

TANDEMBOX Inner Fronts

- Colour coordinated
- A range of pre-cut, quick assembly M-, C- and D-height fronts
- Cut-to-suit option for off-standard White Aluminium or Orion Grey drawers
- Special sizes and finishes on request (Minimum order quantities & lead times apply to special sizes)

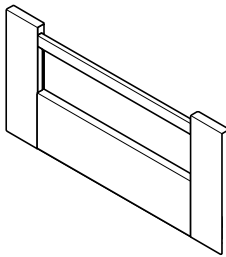


Pre-Cut Inner Drawer Fronts



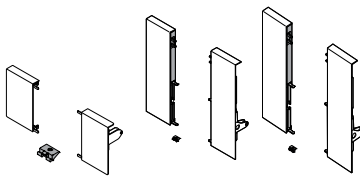
Cabinet Width	A Profile Antaro White Aluminium	A Profile Antaro Orion Grey	P.U
400 mm	BZIA230M0	BZIA230M0OG	30
500 mm	BZIA330M0	BZIA330M0OG	30
600 mm	BZIA430M0	BZIA430M0OG	30
800 mm	BZIA630M0	BZIA630M0OG	30
1000 mm	BZIA830M0	BZIA830M0OG	30

Pre-Cut Inner Pot Drawer Fronts



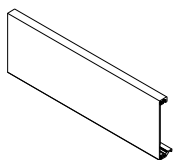
Cabinet Width	A Profile Antaro White Alu		A Profile Antaro Orion Grey	P.U
	C-Height	D-Height		
400 mm	BZIA230C2	BZIA230D2	BZIA230D2OG	15
500 mm	BZIA330C2	BZIA330D2	BZIA330D2OG	15
600 mm	BZIA430C2	BZIA430D2	BZIA430D2OG	15
800 mm	BZIA630C2	BZIA630D2	BZIA630D2OG	15
1000 mm	BZIA830C2	BZIA830D2	BZIA830D2OG	15

Front Brackets for CUT-TO-SUIT Inner fronts



Height	White Aluminium	Orion Grey	P.U
M	BZIF71M	BZIF71MG	1/12
C	BZIF74C	BZIF74CG	1/12
D	BZIF74D	BZIF74DG	1/12

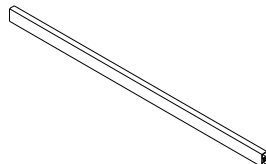
Front Panel for CUT-TO-SUIT M-, C- and D-Height Drawers



White Aluminium	Orion Grey	P.U
BZ31L1036	BZ31L1036OG	12

Cut to size dimensions = Internal Carcase width - 132 mm

Handle Rail for CUT-TO-SUIT C- and D-Height Drawers



White Aluminium	Orion Grey	P.U
BZRG1046Z	BZRG1046ZOG	20

Cut to size dimensions = Internal Carcase width - 122 mm

TANDEMBOX Sink Drawer



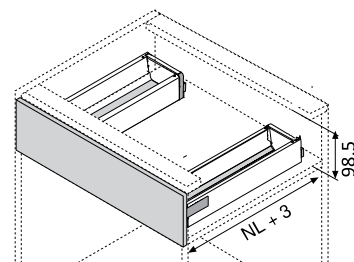
Offering all the functionality of the Blum TANDEMBOX drawer, the Sink Unit utilises space that is often lost in the cabinet.

Wrapping around the bowl and waste section of your sink, the Sink Unit is the ideal space for storage of cleaning products. With a choice of finishes and sizes, and available to suit different door types, the sink unit can easily be selected to suit a variety of kitchen styles.

This unique solution for sink units offers unrivalled access to cleaning equipment normally stored below the sink. Designed for use in 900 and 1000 mm wide drawers, the Sink Cabinet solution works in conjunction with the TANDEMBOX Pot drawer.

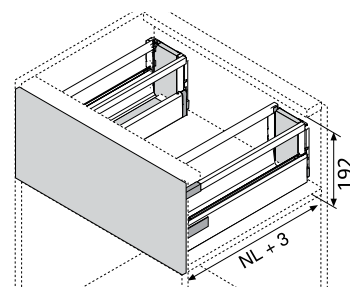
TANDEMBOX Sink drawer Standard height for Slab Doors

Profile	Finish	Art. No.	P.U
Antaro	White Aluminium	BSU910MS	1
	Orion Grey	BSU910MSOG	1



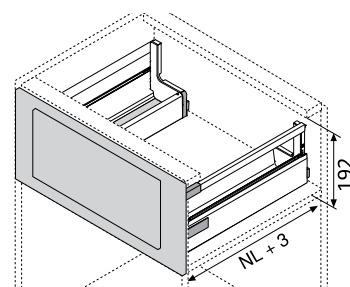
TANDEMBOX Sink Pot Drawer for Slab Doors

Profile	Finish	Art. No.	P.U
Antaro	White Aluminium	BSU910CS	1
	Orion Grey	BSU910DSOG	1



TANDEMBOX Sink Pot Drawer for Framed Doors

Profile	Finish	Art. No.	P.U
Antaro	White Aluminium	BSU910CF	1
	Orion Grey	BSU910DFOG	1



TANDEMBOX Antaro Space Corner



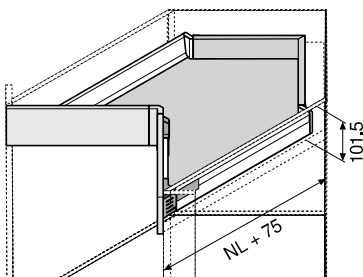
The corner cabinet solution from Blum offers a unique solution for kitchens and received the Red Dot design award at Interzum exhibition in 2003.

The corner cabinet uses 650 mm length drawers in either standard or pot drawer height.

TANDEMBOX Space Corner with SYNCROMOTION is designed for use with 1090 x 1090 mm cabinet dimensions. This allows Space Corner to be used with standard 495mm width doors.

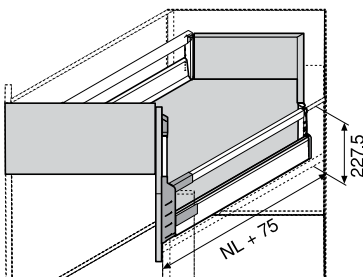
For full cabinet construction details, please contact our head office or your local sales representative.

Standard Height Drawer



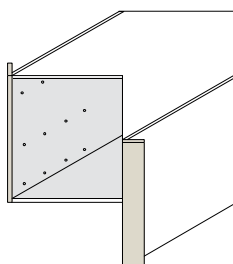
Finish	Art. No.	P.U
White Aluminium	BCUA1090M	1

Pot Drawer Height C



Finish	Art. No.	P.U
White Aluminium	BCUA1090C	1

SPACE CORNER Cabinet



Finish	Art. No.	P.U
White	BCUK1090	1

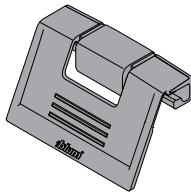
TANDEMBOX Handles

TANDEMBOX Handle

- Allows the standard height drawer to be fitted at the very top of the carcass
- Provides easier opening of top drawer
- Robust nylon construction
- Simply clips on to inner front
- White Grey / Orion Grey finish



TANDEMBOX Handle



White Grey Finish

BZIF80M5

Orion Grey Finish

BZIF80M5OG

P.U

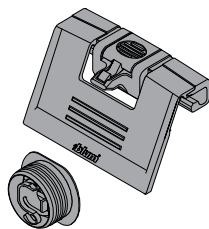
25

TANDEMBOX Handle and Catch

- Allows the standard height drawer to be fitted at the very top of the carcass
- When drawer is opened the top drawer opens with the bottom drawer
- Press the catch at the top and the top drawer easily disconnects
- Easily deactivated by turning catch with a coin 180°
- Robust nylon construction
- Handle simply clips on to inner front
- Catch requires $\varnothing 25$ mm hole on inside of cabinet door
- White Grey / Orion Grey finish



TANDEMBOX Handle and Catch



White Grey Finish

BZIF80M7

Orion Grey Finish

BZIF80M7OG

P.U

25



If catch is engaged simply press the release button ...

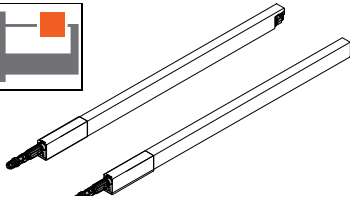


... the top drawer slides freely to re-engage when drawer is closed



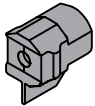
Activate or deactivate catch by turning 180°

Antaro Screw On Gallery Rails



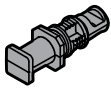
Nominal Length	White Aluminium	P.U
450 mm	BZRG387S	100
500 mm	BZRG437S	100


Antaro Adaptor for Screw On Rails



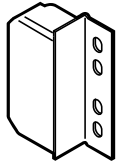
Art Nr.	P.U
BZRF220001	100

Antaro Adaptor to convert INSERTA Rails to Screw On Rails



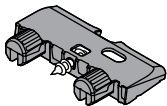
Art Nr.	P.U
BZRG000R5F 	100

TANDEMBOX Adaptor for Independent Positioning of Gallery Rails



Art Nr.	P.U
BZRR5200	100

TANDEMBOX Base Support



Art Nr.	P.U
BZ962011	100







Blum TANDEMBOX Backs and Bases



TANDEMBOX Steel Back Programme

- Reduces production time spent on timber backs (No need to cut and edge chipboard)
- White Aluminium finish to match drawer sides
- Designed to suit cabinets with 18 mm gables
- Full Programme available
- Special sizes and finishes on request (Minimum order quantities & lead times apply to special sizes)

Steel Back White Aluminum Finish

Cabinet Width	Standard Drawer	P.U	Pot drawer C	P.U	Pot Drawer D	P.U
300 mm	BZ30M235	40	N/A	-	N/A	-
400 mm	BZ30M335	40	BZ30C335 	15	BZ30D335	15
450 mm	BZ30M386	40	N/A	-	N/A	-
500 mm	BZ30M435	40	BZ30C435 	15	BZ30D435	15
600 mm	BZ30M535	40	BZ30C535 	15	BZ30D535	15
700 mm	BZ30M635	40	N/A	-	N/A	-
800 mm	BZ30M735	20	BZ30C735 	10	BZ30D735	10
900 mm	BZ30M835	20	BZ30C835 	10	BZ30D835	10
1000 mm	BZ30M935	20	BZ30C935 	10	BZ30D935	10



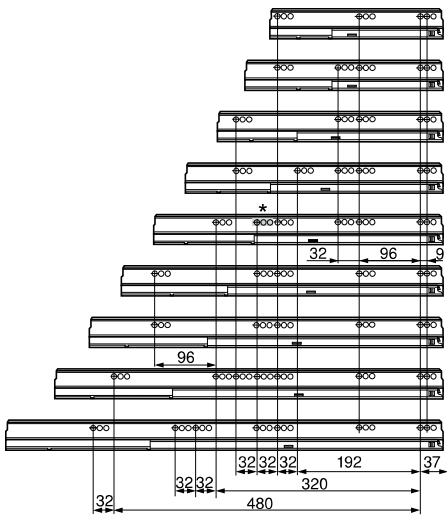
TANDEMBOX Chipboard Base Programme

- Reduces production time spent on bases
- Grey finish to match drawer sides
- Designed to suit cabinets with 18 mm gables
- Full Programme available
- Special sizes and finishes on request (Minimum order quantities & lead times apply to special sizes)

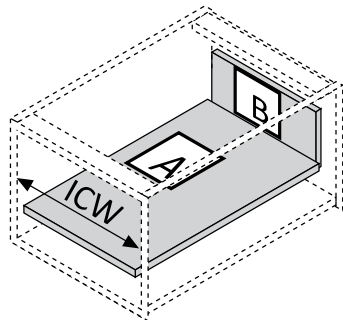
Pre-Cut Chipboard bases 16 mm

Nominal Length	270 mm	450 mm	500 mm	P.U
Cabinet Width				
300 mm	N/A	DB4530	DB5030	1
400 mm	DB2740	DB4540	DB5040	1
450 mm	DB2745	DB4545	DB5045	1
500 mm	DB2750	DB4550	DB5050	1
600 mm	N/A	DB4560	DB5060	1
700 mm	N/A	DB4570	N/A	1
800 mm	N/A	DB4580	DB5080	1
900 mm	N/A	DB4590	DB5090	1
1000 mm	N/A	DB45100	DB50100	1

Standard height drawer



Drawer length	Min. Internal Depth	Loss of extension
270 mm	273 mm	0 mm
300 mm	303 mm	0 mm
350 mm	353 mm	0 mm
400 mm	403 mm	0 mm
450 mm	453 mm	0 mm
500 mm	503 mm	0 mm
550 mm	553 mm	0 mm
600 mm	603 mm	0 mm
650 mm	653 mm	0 mm



ICW = Internal Carcase Width

We stock a large range of pre-cut timber bases and steel backs (see page 1.60). In the event that you decide to cut your own bases or timber backs please note that the dimensions below are based on 16 mm thick board.

Base Cutting Dimensions

	Width	Length
Chipboard back	Internal Carcase Width - 76 mm	Drawer Length - 24 mm
Steel back	Internal Carcase Width - 76 mm	Drawer Length - 22 mm

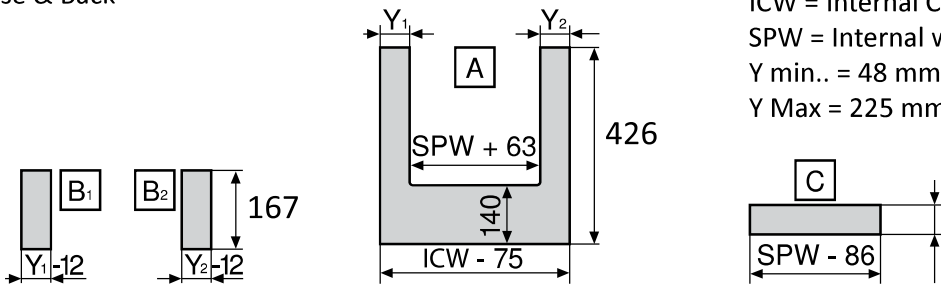
Back Cutting Dimensions

	Height	Width	Height
Shallow Drawer	N	Internal Carcase Width - 88 mm	69 mm
Standard Drawer	M	Internal Carcase Width - 88 mm	84 mm
Pot Drawer	C	Internal Carcase Width - 88 mm	167 mm
Pot Drawer	D	Internal Carcase Width - 88 mm	199 mm

Blum TANDEMBOX Dimensions and Assembly

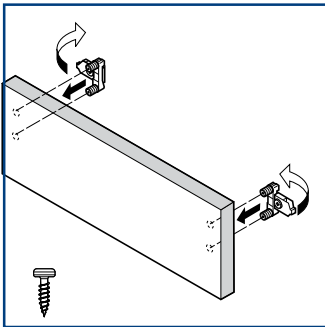
TANDEMBOX Sink Unit

Base & Back

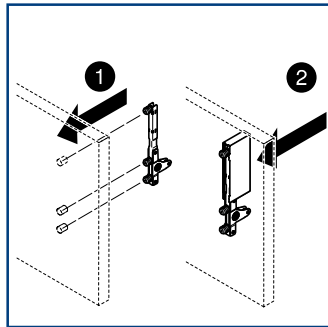


ICW = Internal Carcase Width,
 SPW = Internal width between sink drawer sides
 Y min.. = 48 mm
 Y Max = 225 mm

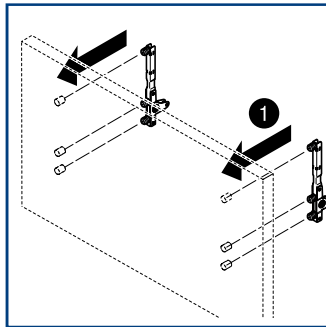
Front Assembly



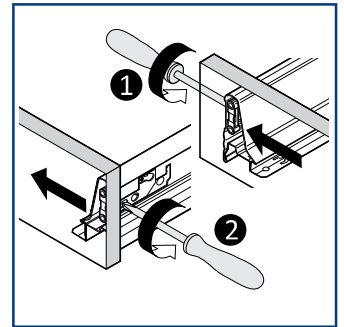
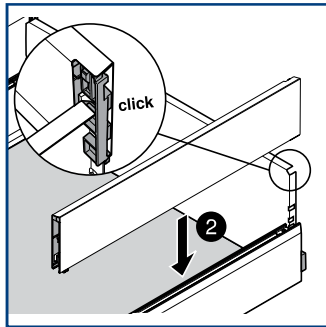
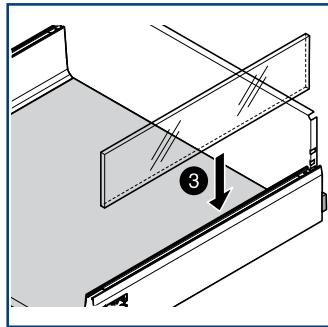
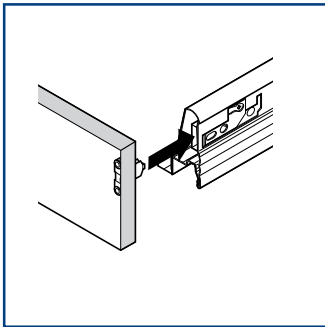
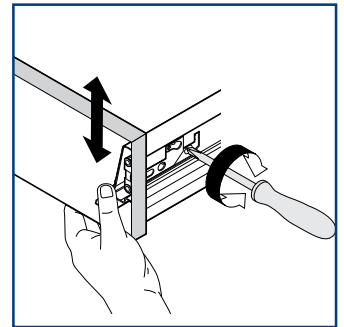
BOXCAP Assembly



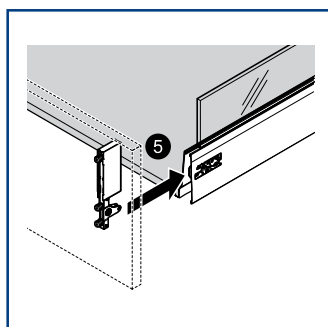
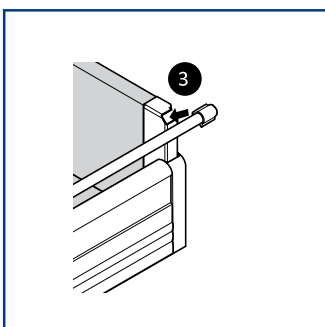
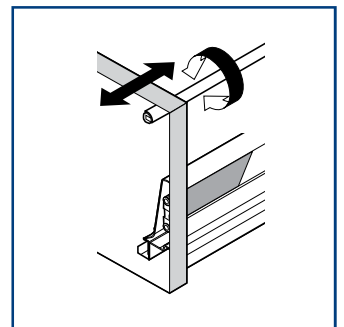
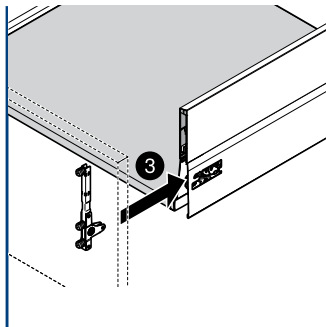
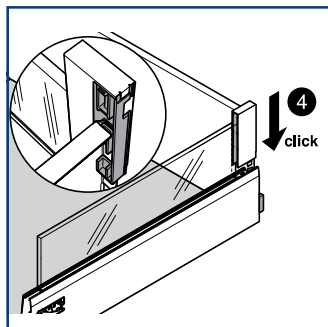
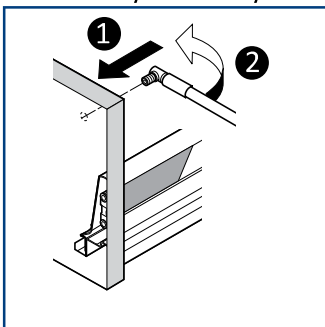
BOXCOVER Assembly



Adjustments



Gallery Assembly



Intivo Tilt Adjustment

