

## K-Line Range

K-Line: a range of fittings for versatility and convenience

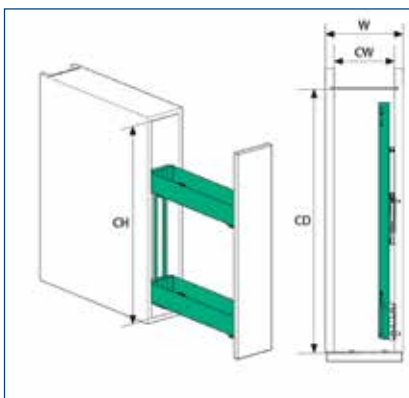
Anyone looking for a high-quality yet affordable entry into the world of Kessebohmer products will strike it lucky with the K-Line range. K-Line is a comprehensive modular range with a minimalist and harmonious design in the appealing colour of anthracite and covers all unit widths. Discover our solutions for base and corner units.

Accessories



### K-Line 150 mm Pull-Out

- Front Click-fix assembly with same 3D adjustment
- Anthracite finish with nonslip mats
- Full Extension with Soft Stopp
- 12 kg payload
- Cabinet internal depth: CD ≥ 489 mm
- Cabinet internal height: CH ≥ 525 mm
- Push to open mechanisms are suitable for this product - see page 2.28

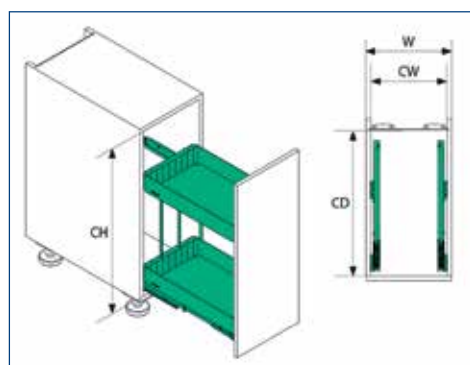


#### K-Line 150 mm Pull Out

Finish	Anthracite
Art. No.	KKLB152A

### K-Line Base Larder Pull-Out

- Access from right or left so no planning errors
- Anthracite finish with nonslip mats
- Full extension with Soft Stopp
- Fixed height shelves with 20 kg payload
- 3 Dimensional front adjustment
- Cabinet internal depth: CD ≥ 477mm
- Cabinet internal height: CH ≥ 523mm
- Push to open mechanisms are suitable for this product - see page 2.28

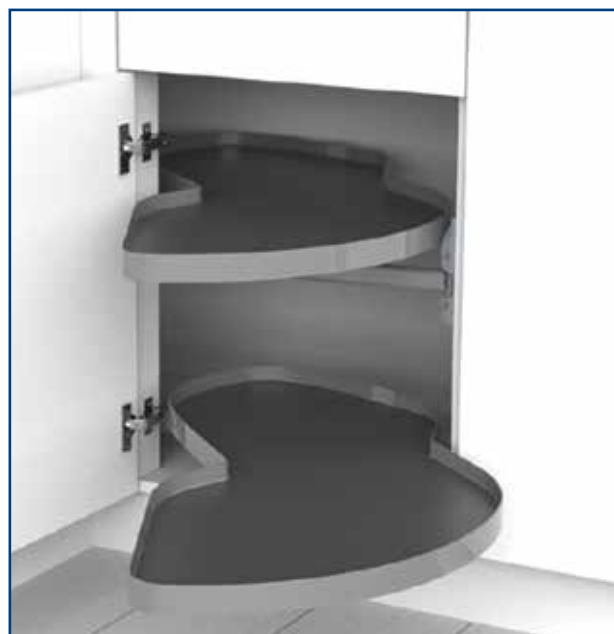


K-Line Base Larder Pull Out

Cabinet Width	300 mm	400 mm
Art. No.	KKLB302A	KKLB402A

### K-Line Move

- K-Line Move is fitted by brackets that are screwed to the gable and a post / pillar
- Maximum weight capacity is 18 kg per shelf
- K-Line Move is available for 3 door widths 400, 450 and 500mm
- Can be retrofitted as desired in existing corner cabinets with hinged door.
- Cabinet internal depth: CD ≥ 500mm
- Cabinet internal width: CW 400: 361-368 mm  
450: 411-418 mm and 500: 461-468 mm



K-Line Move

Finish	Swivel	400 mm	450 mm	500 mm
Anthracite	Left	KKM400LA	KKM450LA	KKM500LA
	Right	KKM400RA	KKM450RA	KKM500RA