

Blum METABOX Drawer

METABOX drawers and pull-outs have just a few component parts. You can use the tried and tested box system for many different applications in kitchens, hallways, bathrooms and offices - and it's even suitable for workshops.

Robust materials and careful workmanship produce high stability with a dynamic carrying capacity of 25 kg.

METABOX Programme:

- Colour range: Cream (RAL9001)
- Installation heights: M, K, H,
- Nominal lengths: 270 - 550 mm
- The side walls of high fronted pull-outs can be equipped with a single or double gallery
- Quick assembly option available
- BLUMOTION is an optional extra for METABOX



M Height Drawer: 86 mm



K Height Drawer: 118 mm



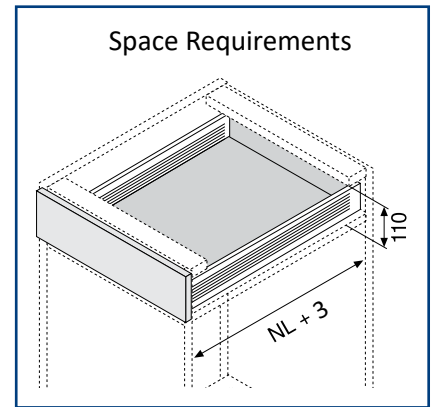
H Height Drawer: 150 mm

DRAWER BOX SYSTEMS

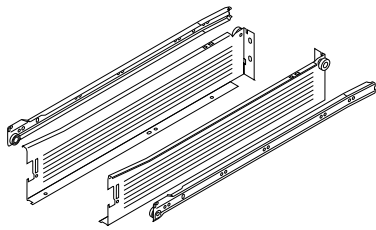
Blum METABOX M-Height Drawer



- Single extension drawer
- Optional BLUMOTION soft close
- 86 mm high drawer
- Epoxy coated steel drawer sides
- Drawer sides in cream (RAL91001)
- High impact nylon rollers
- Dynamic load capacity of 25kg
- BLUMATIC self closing
- 2 dimensional front adjustment
- Optional Quick fix assembly version

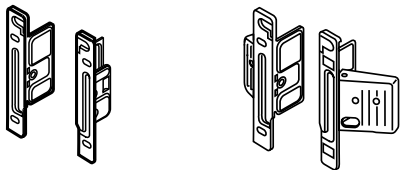


METABOX M Sides and Runners 86 mm High



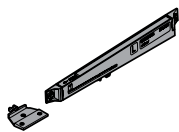
Drawer Length	Standard Assembly	P.U	C15 Quick Assembly
270 mm	B320M270	10	B320M270C15
350 mm	B320M350	10	B320M350C15
400 mm	B320M400	10	B320M400C15
450 mm	B320M450	10	B320M450C15
500 mm	B320M500	10	B320M500C15
550 mm	B320M550	10	B320M550C15

METABOX Front-fixing brackets



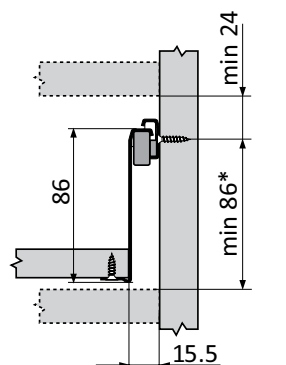
Fixing Method	Clip On Brkts	Standard Brkts	P.U
Screw On	BZSF1200 L+R	BZSF1700 L+R	250
Dowel On	BZSF1300 L+R	BZSF1800 L+R	250
Expando	BZSF1300E L+R	-	250

BLUMOTION for METABOX Drawers (Optional)

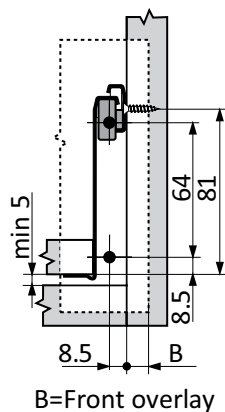


Finish	Art. No.	P.U
Cream	BZ700320CR	100

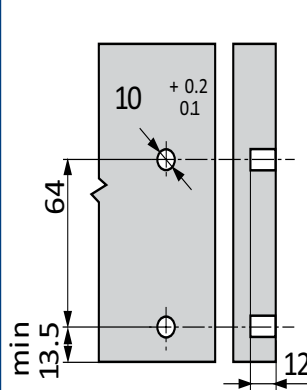
Space Requirements



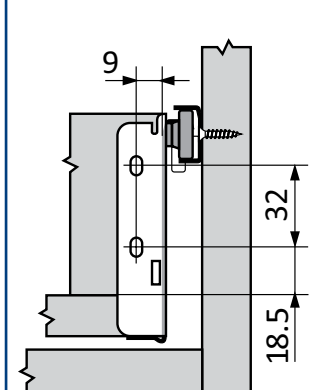
Screw On Front Brkts



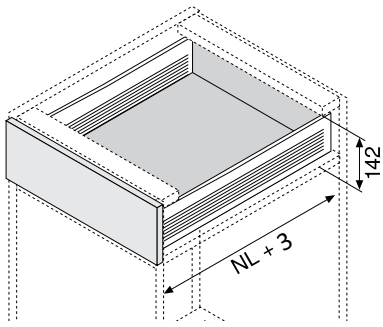
Machined Front Brkts



Back Dimensions



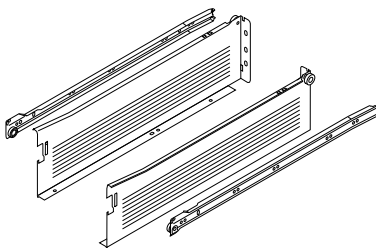
Space Requirements



- Single extension drawer
- Optional BLUMOTION soft close
- 118 mm high drawer
- Epoxy coated steel drawer sides
- Drawer sides in cream (RAL91001)
- High impact nylon rollers
- Dynamic load capacity of 25kg
- BLUMATIC self closing
- 2 dimensional front adjustment
- Optional Quick fix assembly version

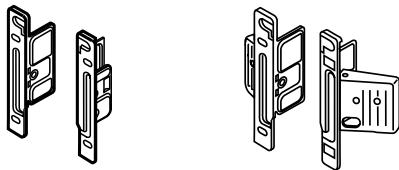


METABOX K Sides and Runners 118 mm High



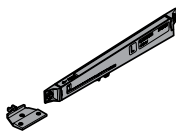
Drawer Length	Standard Assembly	P.U	C15 Quick Assembly
350 mm	B320K350	5	B320K350C15
400 mm	B320K400	5	B320K400C15
450 mm	B320K450	5	B320K450C15
500 mm	B320K500	5	B320K500C15

METABOX Front-fixing brackets



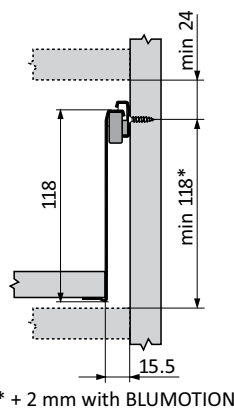
Fixing Method	Clip On Brkts	Standard Brkts	P.U
Screw On	BZSF1200 L+R	BZSF1700 L+R	250
Dowel On	BZSF1300 L+R	BZSF1800 L+R	250
Expando	BZSF1300E L+R	-	250

BLUMOTION for METABOX Drawers (Optional)

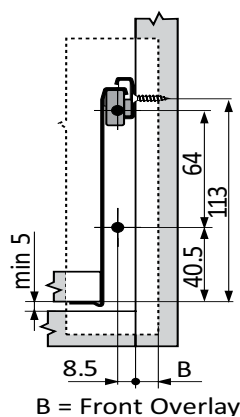


Finish	Art. No.	P.U
Cream	BZ700320CR	100

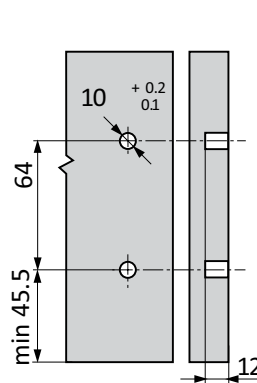
Space Requirements



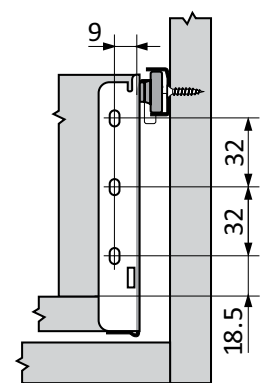
Screw On Front Brkts



Machined Front Brkts



Back Dimensions

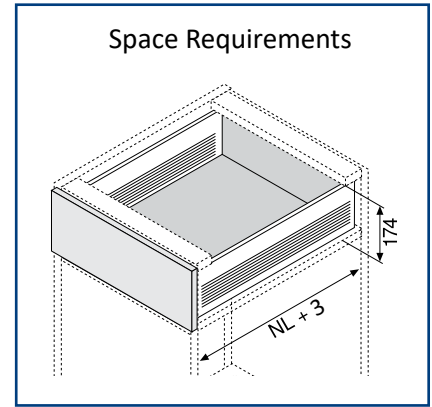


DRAWER BOX SYSTEMS

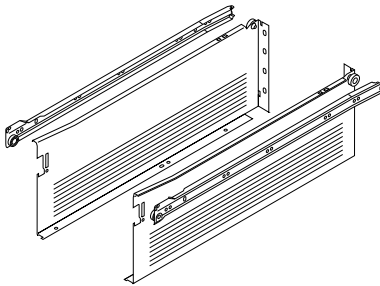
Blum METABOX H-Height Drawer



- Single extension drawer
- Optional BLUMOTION soft close
- 150 mm high drawer
- Epoxy coated steel drawer sides
- Drawer sides in cream (RAL91001)
- High impact nylon rollers
- Dynamic load capacity of 25kg
- BLUMATIC self closing
- 2 dimensional front adjustment
- Optional Quick fix assembly version

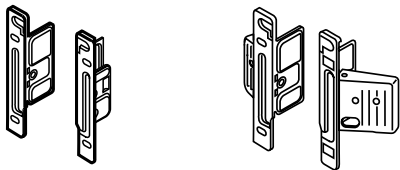


METABOX H Sides and Runners 150 mm High



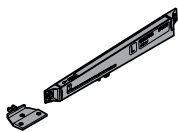
Drawer Length	Standard Assembly	P.U	C15 Quick Assembly
350 mm	B320H350	10	B320H350C15
400 mm	B320H400	10	B320H400C15
450 mm	B320H450	10	B320H450C15
500 mm	B320H500	10	B320H500C15
550 mm	B320H550	10	B320H550C15

METABOX Front-fixing brackets



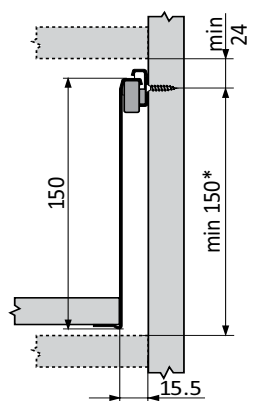
Fixing Method	Clip On Brkts	Standard Brkts	P.U
Screw On	BZSF1200 L+R	BZSF1700 L+R	250
Dowel On	BZSF1300 L+R	BZSF1800 L+R	250
Expando	BZSF1300E L+R	-	250

BLUMOTION for METABOX Drawers (Optional)

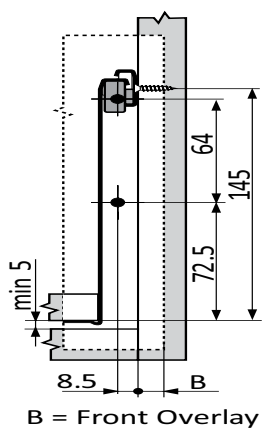


Finish	Art. No.	P.U
Cream	BZ700320CR	100

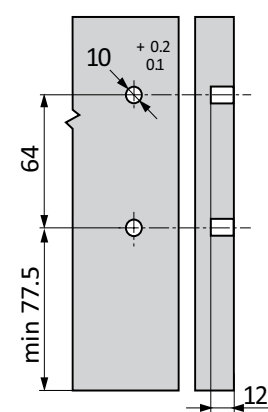
Space Requirements



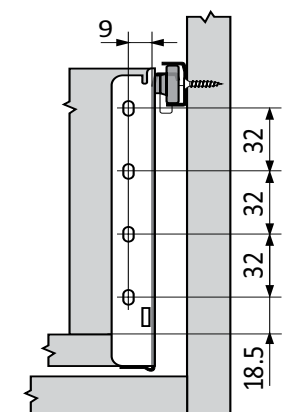
Screw On Front Brkts



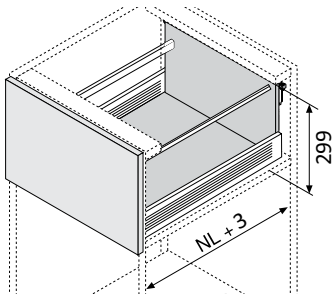
Machined Front Brkts



Back Dimensions



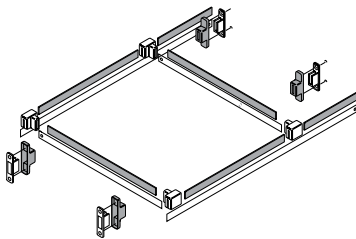
Space Requirements



- METAFILE for Blum METABOX
- Optional BLUMOTION soft close
- Can be cut to suit drawer size
- Steel with Epoxy sleeve
- Finished in cream (RAL91001)
- Parallel or perpendicular storage

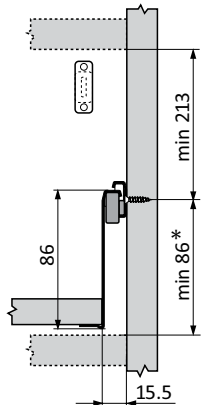


METAFILE for METABOX



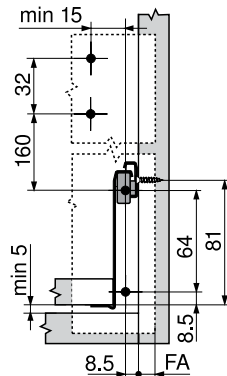
Drawer Length	Drawer Widths	P.U	Art. No.
450 - 500 mm	275 - 600 mm	1	BZRM5500

Space Requirements

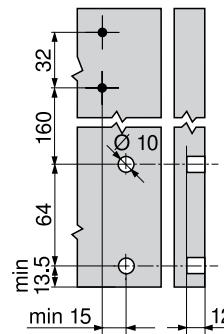


* + 2mm with BLUMOTION

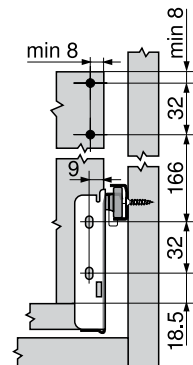
Screw On Front Brkts



Machined Front Brkts



Back Dimensions



METABOX Cutlery Trays



Drawer Width	Art. No.	P.U
400 mm	B432337CR	25
500 mm	B432437CR	25
600 mm	B432537CR	25

DRAWER BOX SYSTEMS

METABOX - Technical Information

A = Base Dimensions

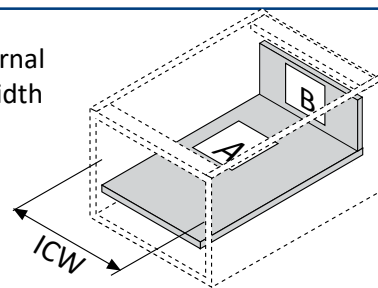
Width	Internal Cabinet Width -31 mm
Length	Drawer Length -2 mm

B = Back Dimensions

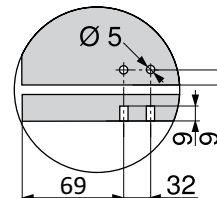
WIDTH	Height*	Width
M 86mm	71 mm	Internal Cabinet Width -31 mm
K 118mm	103 mm	
H 150 mm	135 mm	

* Height based on 16 mm board

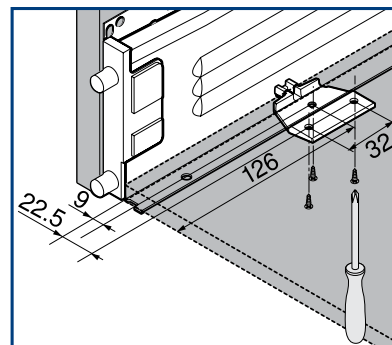
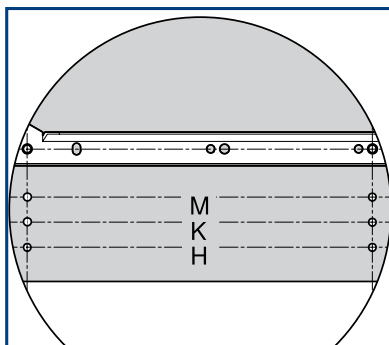
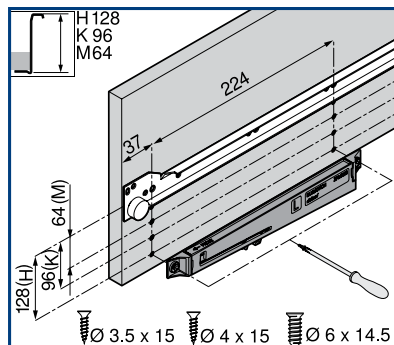
ICW = Internal cabinet Width



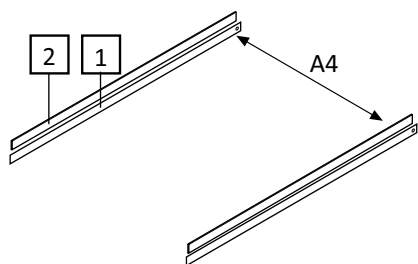
C15 Quick Assembly base dimensions



BLUMOTION for METABOX technical



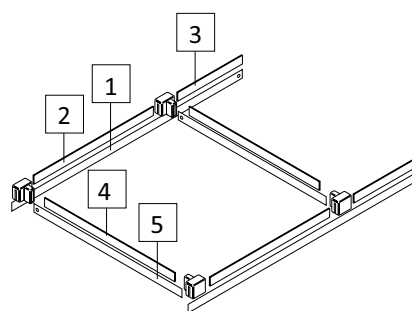
METAFILE for METABOX technical



DIN A4 Cutting Dimension Across

1	Nominal Length - 28 mm
2	Nominal Length - 53 mm

Min. Internal width = 376 mm



DIN A4 Cutting Dimension Lengthwise

1	Nominal Length - 28 mm
2	305 mm
3	Nominal Length - 406 mm
4	Internal Cabinet Width - 82 mm
5	Internal cabinet Width - 59 mm

Min. Nominal Length = 500 mm