

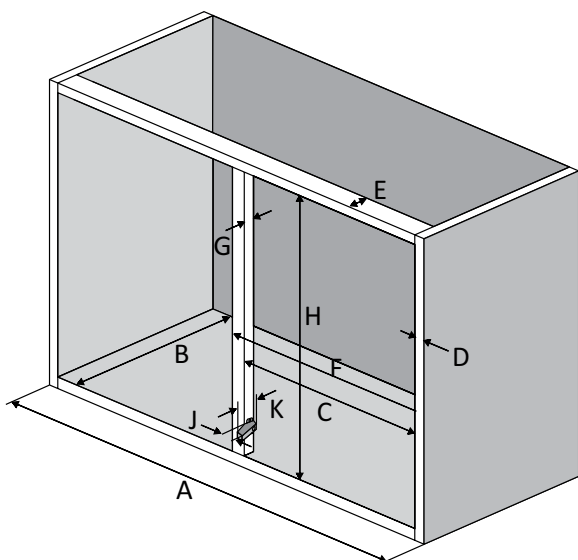
Corner Unit Solutions

Accessories



LeMans II

- Min 85° door opening angle required
- Click Fix assembly saving time up to 40%
- Height adjustable shelves
- 25 kg per shelf (+25%)
- MFC Malibu Grey with ANTI SLIP
- Individual Set Packing
- ARENA Pure, ARENA Style or ARENA Classic
- Optional self closing dampener with SoftStopp



LeMans II Technical

Door Width	400 mm	450 mm	500 mm	600 mm
A	≥ 764	≥800	≥910	≥960
B	≥ 500	≥ 500	≥ 500	≥ 500
C	361-368	411-418	461-468	561-568
D	16-19	16-19	16-19	16-19
E	≥ 60	≥ 60	≥ 60	≥ 60
F	≤400	≤ 450	≤ 500	≤ 600
G	≤ 65	≤ 65	≤ 65	≤ 65
H	600-900	600-900	600-900	600-900
J	≤ 25	≤ 25	≤ 25	≤ 25
K	≤ 70	≤ 70	≤ 70	≤ 70

LeMans II - Order codes

Design	Finish	Swivel	400 mm	450 mm	500 mm	600 mm
ARENA Style	Chrome	Left		KLE2450LASC	KLE2500LASC	KLE2600LASC
		Right		KLE2450RASC	KLE2500RASC	KLE2600RASC
	Anthracite	Left	KLE2400LASA	KLE2450LASA	KLE2500LASA	KLE2600LASA
		Right	KLE2400RASA	KLE2450RASA	KLE2500RASA	KLE2600RASA
ARENA Classic	Chrome	Left	KLE2400LACC	KLE2450LACC	KLE2500LACC	KLE2600LACC
		Right	KLE2400RACC	KLE2450RACC	KLE2500RACC	KLE2600RACC
	Silver	Left		KLE2450LACS	KLE2500LACS	KLE2600LACS
		Right		KLE2450RACS	KLE2500RACS	KLE2600RACS
Self closing Dampener	Left		KLE2DL	2 Sets required per Le Mans		
	Right		KLE2DR	2 Sets required per Le Mans		