

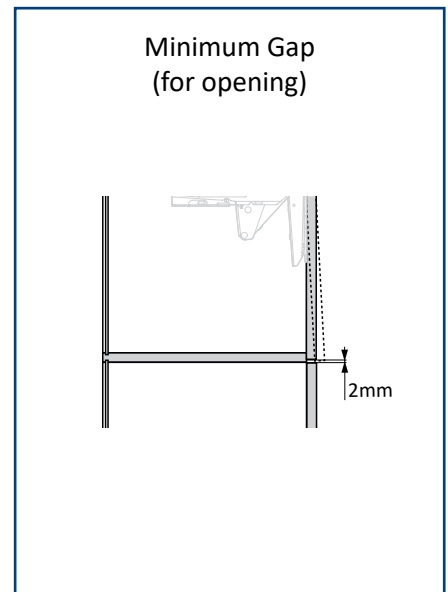
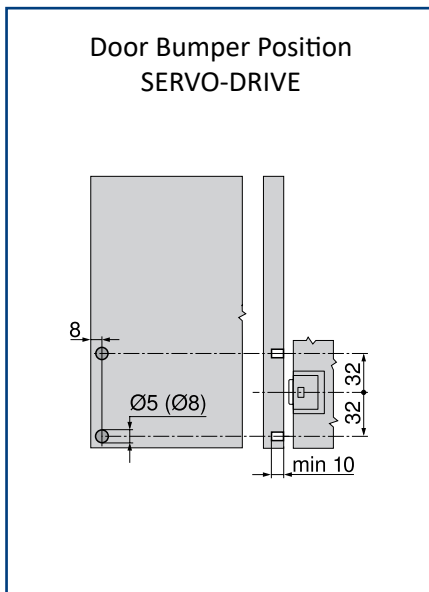
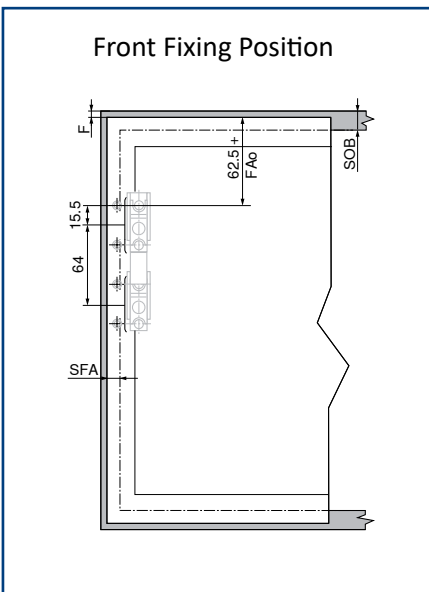
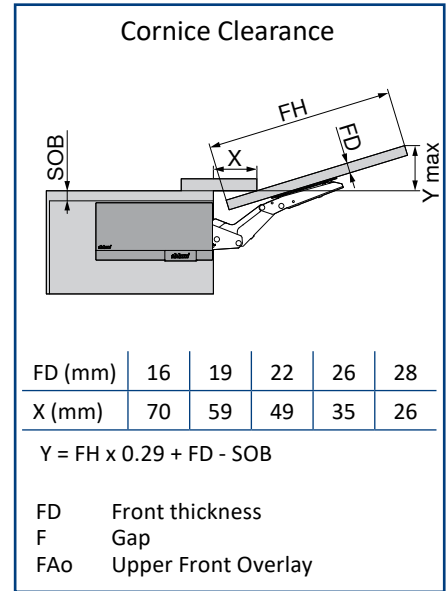
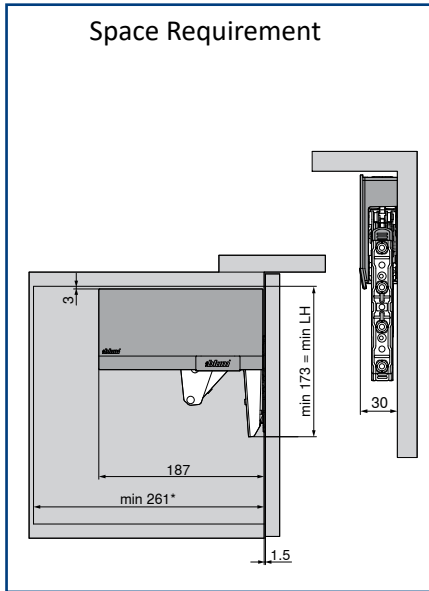
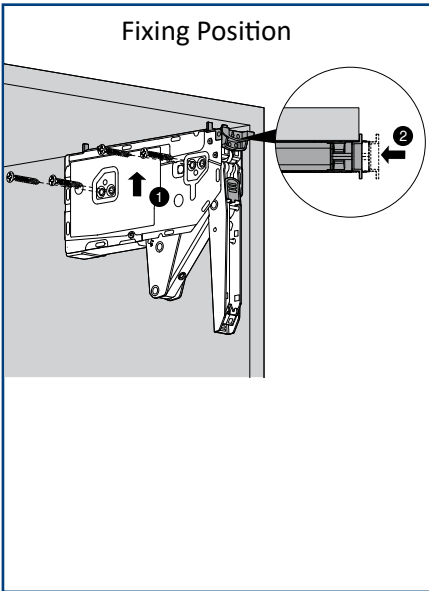
AVENTOS HK top stay lift

Blum AVENTOS HK top stay lift

- Soft Closing and soft opening action
- Variable stop position
- Fast easy assembly using clip technology
- Small Programme huge application variety
- Suitable for wall cabinets with cornice
- Excellent durability
- Simple and fast tension adjustment for optimum action
- Minimum cabinet depth 278 mm
- No protruding parts for safe and easy transport
- Narrow arm for maximum storage within the cabinet
- Small in dimension, sleek in design



Lift and Slide

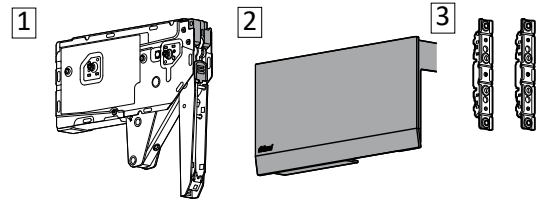


NOTE: To obtain the perfect motion AVENTOS HK top works on Power Factor (PF). PF = Cabinet height x door weight including double handle weight in kg.

AVENTOS HK Top Stay Lift

AVENTOS HK top Sets

1. Mechanism 2 pieces
2. Cover Caps L+R light grey colour
3. Front brackets 2 pieces



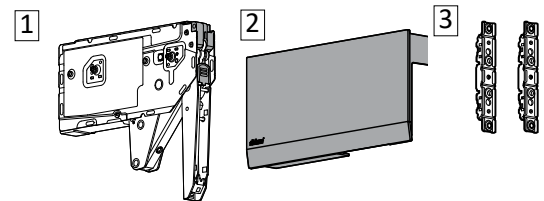
Blum AVENTOS HK Top Set

Door Height	Cabinet Width (mm)					
	500 mm	600 mm	800 mm	900 mm	1000 mm	1200 mm
283 mm	B22K2850**** (420-1610 PF*)	B22K2860**** (420-1610 PF*)	B22K2880**** (420-1610 PF*)	B22K2890**** (420-1610 PF*)	B22K2810**** (420-1610 PF*)	B22K2812**** (420-1610 PF*)
355 mm	B22K3550**** (420-1610 PF*)	B22K3560**** (420-1610 PF*)	B22K3580**** (930-2800 PF*)	B22K3590**** (930-2800 PF*)	B22K3510**** (930-2800 PF*)	B22K3512**** (930-2800 PF*)
400 mm	B22K4050**** (420-1610 PF*)	B22K4060**** (930-2800 PF*)	B22K4080**** (930-2800 PF*)	B22K4090**** (930-2800 PF*)	B22K4010**** (1730-5200 PF*)	B22K4012**** (1730-5200 PF*)
450 mm	B22K4550**** (930-2800 PF*)	B22K4560**** (930-2800 PF*)	B22K4580**** (1730-5200 PF*)	B22K4590**** (1730-5200 PF*)	B22K4510**** (1730-5200 PF*)	B22K4512**** (1730-5200 PF*)
570 mm	B22K5750**** (1730-5200 PF*)	B22K5760**** (1730-5200 PF*)	B22K5780**** (1730-5200 PF*)	B22K5790**** (1730-5200 PF*)	B22K5710**** (3200-9000 PF*)	B22K5712**** (3200-9000 PF*)

Based on 20 mm MDF Door. PF* = Power Factor. See Power Factor guide.
 **** SWSS = Silk White/Stainless Steel, LGSS = Light Grey/Stainless Steel, DGSS = Dark Grey/Stainless Steel

AVENTOS HK top TIP-ON Sets

1. Mechanism 2 pieces
2. Cover Caps L+R light grey colour
3. Front brackets 2 pieces



Note: AVENTOS HK top TIP-ON requires a TIP-ON Piston 956A1004. Also available with SERVO-DRIVE, lead times apply.

Blum AVENTOS HK top TIP-ON Set

Door Height	Cabinet Width (mm)					
	500 mm	600 mm	800 mm	900 mm	1000 mm	1200 mm
283 mm	B22K2850T**** (420-1610 PF*)	B22K2860T**** (420-1610 PF*)	B22K2880T**** (420-1610 PF*)	B22K2890T**** (420-1610 PF*)	B22K2810T**** (420-1610 PF*)	B22K2812T**** (420-1610 PF*)
355 mm	B22K3550T**** (420-1610 PF*)	B22K3560T**** (420-1610 PF*)	B22K3580T**** (930-2800 PF*)	B22K3590T**** (930-2800 PF*)	B22K3510T**** (930-2800 PF*)	B22K3512T**** (930-2800 PF*)
400 mm	B22K4050T**** (420-1610 PF*)	B22K4060T**** (930-2800 PF*)	B22K4080T**** (930-2800 PF*)	B22K4090T**** (930-2800 PF*)	B22K4010T**** (1730-5200 PF*)	B22K4012T**** (1730-5200 PF*)
450 mm	B22K4550T**** (930-2800 PF*)	B22K4560T**** (930-2800 PF*)	B22K4580T**** (1730-5200 PF*)	B22K4590T**** (1730-5200 PF*)	B22K4510T**** (1730-5200 PF*)	B22K4512T**** (1730-5200 PF*)
570 mm	B22K5750T**** (1730-5200 PF*)	B22K5760T**** (1730-5200 PF*)	B22K5780T**** (1730-5200 PF*)	B22K5790T**** (1730-5200 PF*)	B22K5710T**** (3200-9000 PF*)	B22K5712T**** (3200-9000 PF*)

Based on 20 mm MDF Door. PF* = Power Factor. See Power Factor guide.
 **** SWSS = Silk White/Stainless Steel, LGSS = Light Grey/Stainless Steel, DGSS = Dark Grey/Stainless Steel

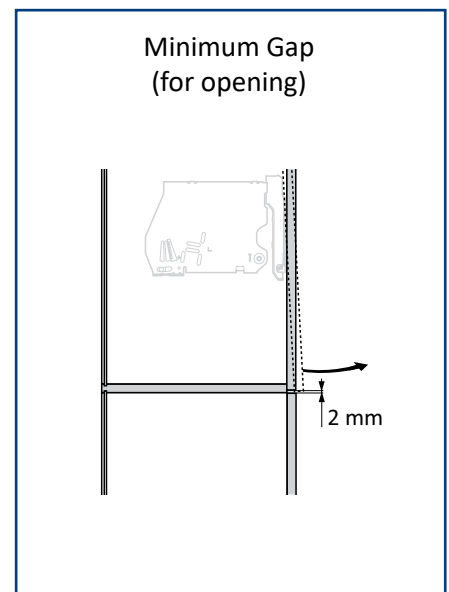
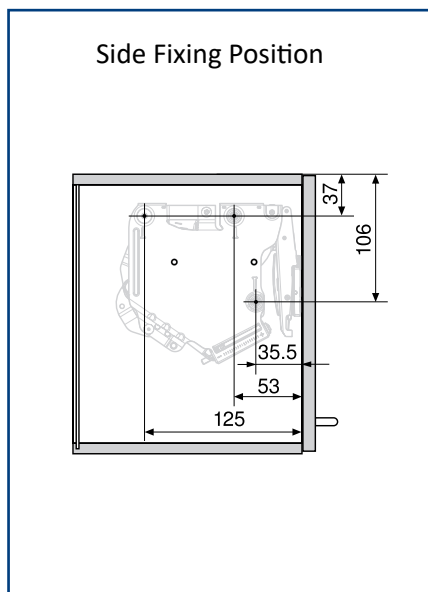
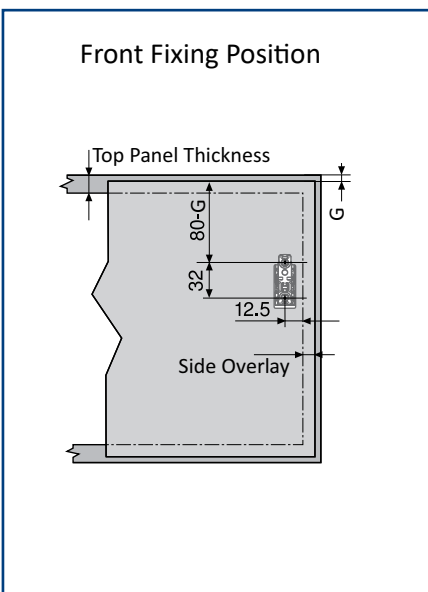
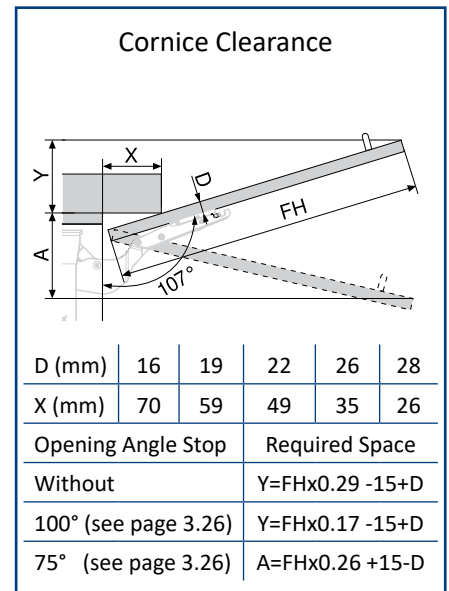
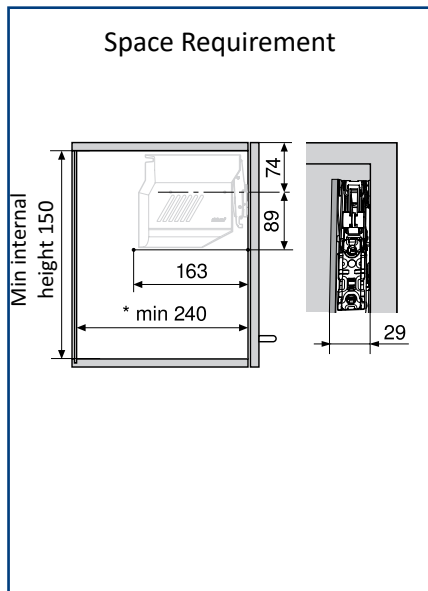
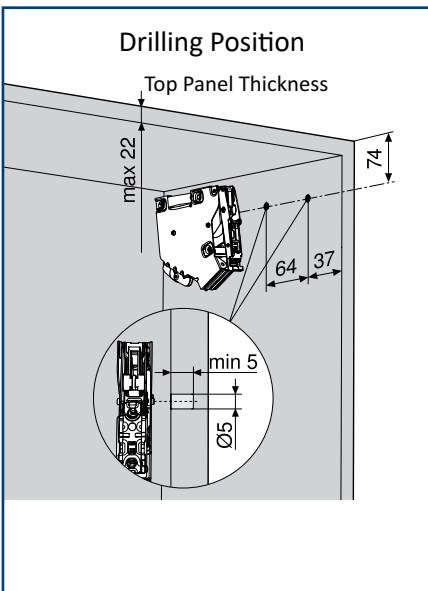
AVENTOS HK-S Stay Lift

AVENTOS HK-S Stay Lift for Small - Mid Doors

- Specifically for small stay lift doors
- Soft Closing and soft opening action
- Variable stop position
- Fast easy assembly using clip technology
- Small Programme huge application variety
- Suitable for wall cabinets with cornice
- Excellent durability
- Simple and fast tension adjustment for optimum action
- Minimum cabinet depth 240mm
- No protruding parts for safe and easy transport
- Orion Grey cover caps also available - contact office



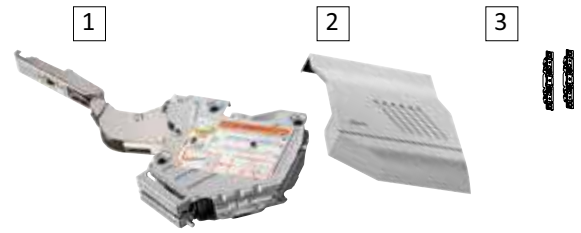
Lift and Slide



NOTE: To obtain the perfect motion AVENTOS HK-S works on Power Factor (PF). PF = Cabinet height x door weight including double handle weight in kg. The tables opposite assume the optimum PF based on 20 mm MDF Door

AVENTOS HK-S Sets

1. Mechanism 2 pieces
2. Cover Caps L+R
3. Front brackets 2 pieces



Blum AVENTOS HK-S Stay Lift Set

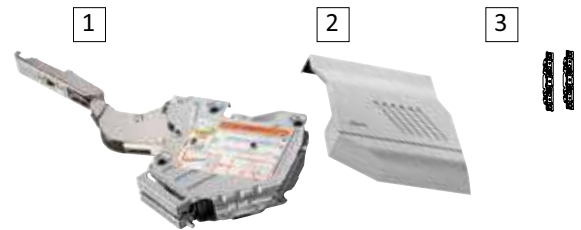
Door Height	Cabinet Width (mm)					
	400 mm	500 mm	600 mm	800 mm	900 mm	1000 mm
283 mm	B20KS2840 (400-1000 PF*)	B20KS2850 (400-1000 PF*)	B20KS2860 (400-1000 PF*)	B20KS2880 (960-2215 PF*)	B20KS2890 (960-2215 PF*)	B20KS2810 (960-2215 PF*)
355 mm	B20KS3540 (960-2215 PF*)	B20KS3550 (960-2215 PF*)	B20KS3560 (960-2215 PF*)	B20KS3580 (960-2215 PF*)	B20KS3590 (960-2215 PF*)	B20KS3510 (960-2215 PF*)
400 mm	B20KS4040 (960-2215 PF*)	B20KS4050 (960-2215 PF*)	B20KS4060 (960-2215 PF*)	B20KS4080 (960-2215 PF*)		
450 mm	B20KS4540 (750-2500 PF*)	B20KS4550 (750-2500 PF*)	B20KS4560 (750-2500 PF*)			

Based on 20 mm MDF Door. PF* = Power Factor. Power factor guide see page 3.26

Lift and Slide

AVENTOS HK-S TIP-ON Sets

1. Mechanism 2 pieces
2. Cover Caps L+R
3. Front brackets 2 pieces



Note: AVENTOS TIP-ON requires a TIP-ON Piston 9561004 see page 4.45

Blum AVENTOS HK-S TIP-ON Stay Lift Set

Door Height	Cabinet Width (mm)					
	40T0 mm	50T0 mm	600 mm	800 mm	900 mm	1000 mm
283 mm	B20KS2840T (40T0-1000 PF*)	B20KS2850T (40T0-1000 PF*)	B20KS2860T (40T0-1000 PF*)	B20KS2880T (960-2215 PF*)	B20KS2890T (960-2215 PF*)	B20KS2810T (960-2215 PF*)
355 mm	B20KS3540T (960-2215 PF*)	B20KS3550T (960-2215 PF*)	B20KS3560T (960-2215 PF*)	B20KS3580T (960-2215 PF*)	B20KS3590T (960-2215 PF*)	B20KS3510T (960-2215 PF*)
400 mm	B20KS4040T (960-2215 PF*)	B20KS4050T (960-2215 PF*)	B20KS4060T (960-2215 PF*)	B20KS4080T (960-2215 PF*)		
450 mm	B20KS4540T (960-2215 PF*)	B20KS4550T (960-2215 PF*)	B20KS4560T (960-2215 PF*)			

Based on 20 mm MDF Door. PF* = Power Factor. Power factor guide see page 3.26

AVENTOS HK-XS Stay Lift

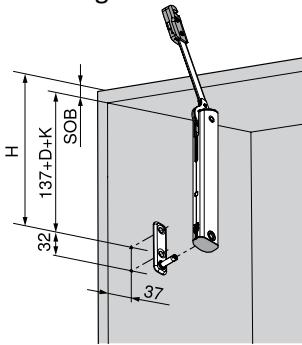
Blum AVENTOS HK-XS Stay Lift

- Closes silently and effortlessly in conjunction with CLIP top BLUMOTION hinges
- Well-balanced quality of motion due to light operating forces, a variable stop and BLUMOTION
- Simple, virtually tool-free assembly and easy adjustment
- Small Programme huge application variety
- Symmetrical lift mechanism – can be used on one or both sides
- Simple and fast tension adjustment for optimum action
- Minimum cabinet depth 125 mm
- Narrow telescopic arm (27 mm) for maximum storage within the cabinet



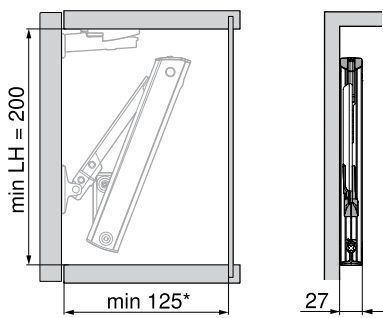
Lift and Slide

Fixing Position

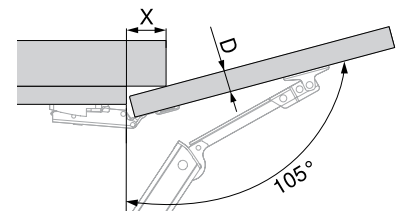


$H = 137 + D + K + SOB$
 D = Mounting plate spacing
 K = Hinge crank (Straight = 0/
 Half Crank = 9.5/ Full Crank 18)
 SOB = Top Panel Thickness

Space Requirement



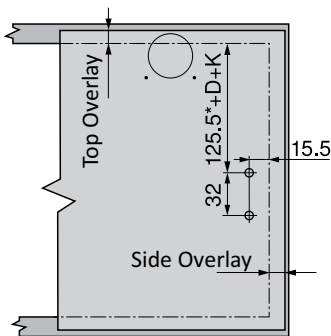
Cornice Clearance



D (mm)	16	19	22	24
X (mm)	45	34	23	15

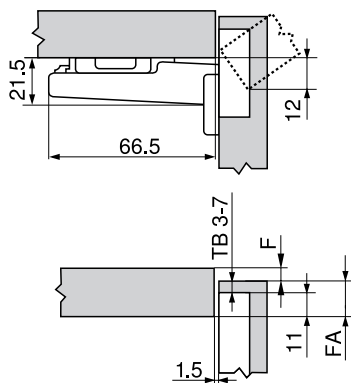
D = Door Thickness

Front Fixing Position

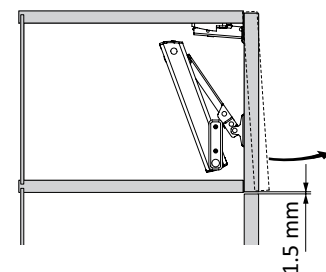


D = Mounting plate spacing
 K = Hinge crank (Straight = 0/
 Half Crank = 9.5/ Full Crank 18)

Hinge Positions



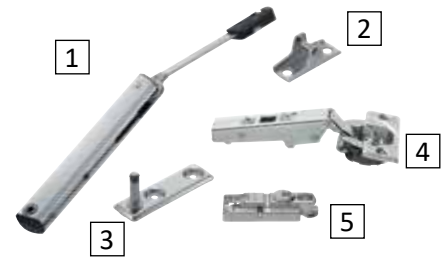
Minimum Gap
(for opening)



NOTE: To obtain the perfect motion AVENTOS HK-XS works on Power Factor (PF). PF = Cabinet height x door weight including double handle weight in kg. The tables opposite assume the optimum PF based on 20 mm MDF Door

AVENTOS HK-XS Sets including BLUMOTION hinges

1. Mechanism 1 or 2 pieces
2. Screw on front brackets
3. Screw on cabinet brackets
4. Screw On 71B355 Blumotion Hinges
5. Screw On Horizontal plates



Blum AVENTOS HK-XS Lift Up Set

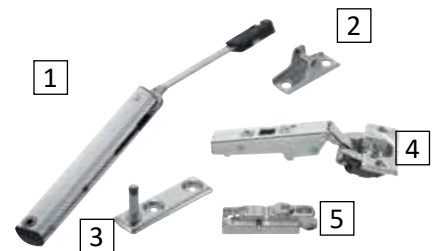
Door Height	Cabinet Width (mm)					
	500 mm	600 mm	800 mm	900 mm	1000 mm	1200 mm
283 mm	B20KX2850H (200-1000 PF*)	B20KX2860H (200-1000 PF*)	B20KX2880H (500-1500 PF*)	B20KX2890H (500-1500 PF*)	B20KX2810H (800-1800 PF*)	B20KX2812H (750-2500 PF*)
355 mm	B20KX3550H (800-1800 PF*)	B20KX3560H (800-1800 PF*)	B20KX3580H (700-2500 PF*)	B20KX3590H (700-2500 PF*)	B20KX3510H (700-2500 PF*)	B20KX3512H (1300-3000 PF*)
400 mm	B20KX4050H (800-1800 PF*)	B20KX4060H (700-2500 PF*)	B20KX4080H (700-2500 PF*)	B20KX4090H (1300-3300 PF*)	B20KX4010H (1300-3300 PF*)	B20KX4012H (1600-3600 PF*)

Based on 20 mm MDF Door. PF* = Power Factor. Power factor guide see page 3.26

Lift and Slide

AVENTOS HK-XS TIP-ON Sets including unsprung hinges

1. Mechanism 1 or 2 pieces
2. Screw on front brackets
3. Screw on cabinet brackets
4. Screw On 70T355TL Unsprung Hinges
5. Screw On Horizontal plate



Note: AVENTOS TIP-ON requires a TIP-ON Piston 9561004 see page 4.45

Blum AVENTOS HK-S TIP-ON Lift Up Set

Door Height	Cabinet Width (mm)					
	500 mm	600 mm	800 mm	900 mm	1000 mm	1200 mm
283 mm	B20KX2850TH (200-1000 PF*)	B20KX2860TH (200-1000 PF*)	B20KX2880TH (500-1500 PF*)	B20KX2890TH (500-1500 PF*)	B20KX2810TH (800-1800 PF*)	B20KX2812TH (750-2500 PF*)
355 mm	B20KX3550TH (800-1800 PF*)	B20KX3560TH (800-1800 PF*)	B20KX3580TH (700-2500 PF*)	B20KX3590TH (700-2500 PF*)	B20KX3510TH (700-2500 PF*)	B20KX3512TH (1300-3000 PF*)
400 mm	B20KX4050TH (800-1800 PF*)	B20KX4060TH (1300-2800 PF*)	B20KX4080TH (1300-2800 PF*)	B20KX4090TH (1300-3000 PF*)	B20KX4010TH (1300-3000 PF*)	B20KX4012TH (1600-3600 PF*)

Based on 20 mm MDF Door. PF* = Power Factor. Power factor guide see page 3.26

Technical

Door Weight / Power Factor Guide

Weight in KG is based on 20 mm MDF Doors

Power Factor¹ Aventos HK, HK-S, Hs and HK-XS (Page 3.08) = Cabinet height (mm) X Door Weight including double handle weight (kg)

Power Factor² Aventos HF (Page 3.02) = Cabinet height (mm) X combined Door Weight including handle weight (kg)



Blum AVENTOS Programme Door Weight and Power Factor Guide

Door Height		Cabinet Width (mm)					
		500	600	800	900	1000	1200
283 mm	Weight KG	2.13	2.56	3.42	3.85	4.28	5.14
	Power Factor Required ¹	757	881	1129	1253	1377	1624
	Power Factor Required ²	2615	2114	4112	4611	5110	6108
355 mm	Weight KG	2.67	3.21	4.29	4.83	5.37	6.45
	Power Factor Required ¹	1142	1336	1724	1919	2113	2501
	Power Factor Required ²	4049	4830	6393	7174	7955	9518
400 mm	Weight KG	3.01	3.62	4.83	5.44	6.05	7.27
	Power Factor Required ¹	1421	1668	2160	2406	2653	3145
	Power Factor Required ²	5103	6093	8073	9062	10052	12032
450 mm	Weight KG	3.39	4.07	5.44	6.12	6.81	8.17
	Power Factor Required ¹	1768	2079	2702	3013	3324	3947
	Power Factor Required ²	6418	7668	10169	11419	12670	15170
570 mm	Weight KG	4.29	5.16	6.89	7.75	8.62	10.35
	Power Factor Required ¹	2753	3252	4248	4756	5244	6241
	Power Factor Required ²	n/a	n/a	n/a	n/a	n/a	n/a
715 mm	Weight KG	5.38	6.47	8.64	9.73	10.81	12.99
	Power Factor Required ¹	3873	4656	6221	7003	7786	n/a
	Power Factor Required ²	n/a	n/a	n/a	n/a	n/a	n/a

Blum AVENTOS HF Bi-Fold Lift - Opening Angle Stop

Art. No.	Description
B20F7051 	Blum AVENTOS HF Bi-Fold Lift Opening Angle Stop 104°
B20F7011 	Blum AVENTOS HF Bi-Fold Lift Opening Angle Stop 83°

Blum AVENTOS HK Stay Lift - Opening Angle Stop

Art. No.	Description
B20K7041 	Blum AVENTOS HK Stay Lift Opening Angle Stop 100°
B20K7011 	Blum AVENTOS HK Stay Lift Opening Angle Stop 75°