

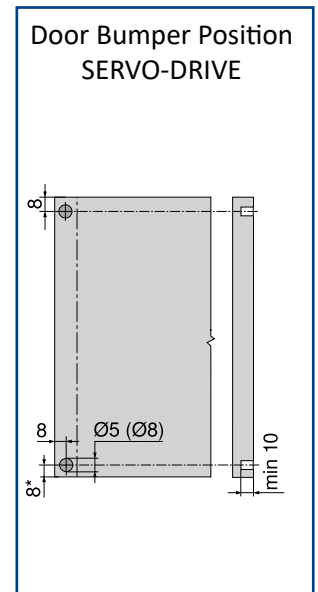
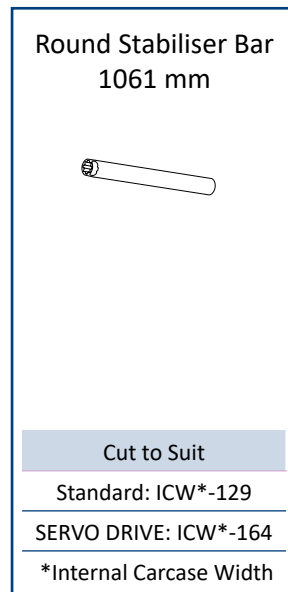
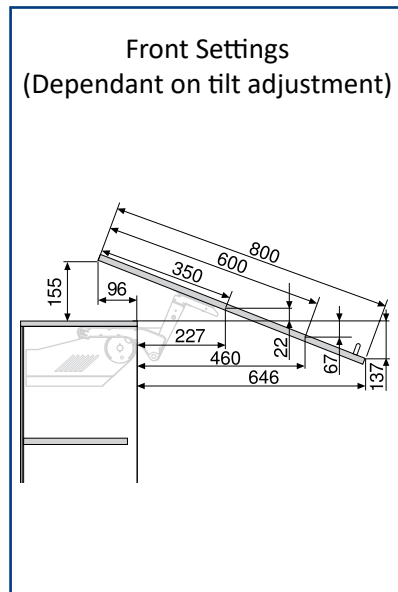
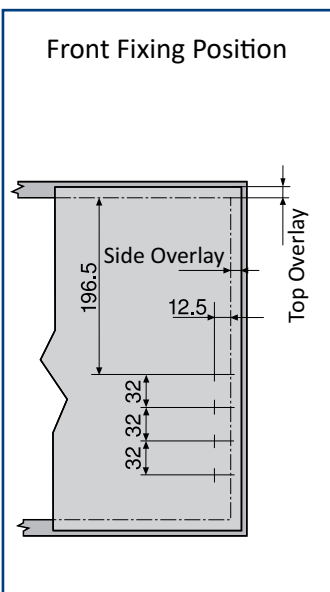
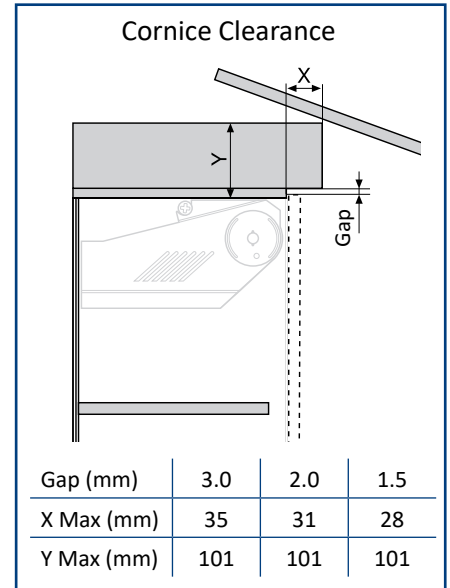
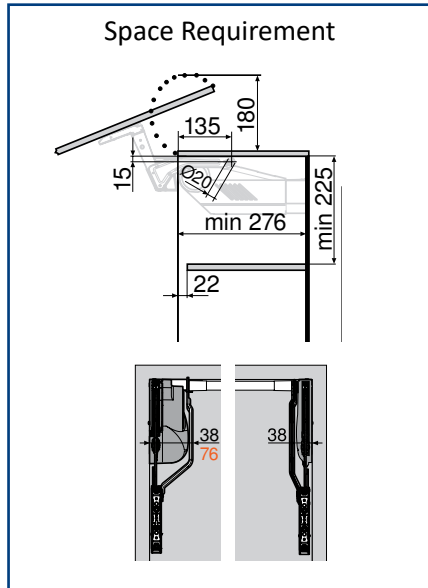
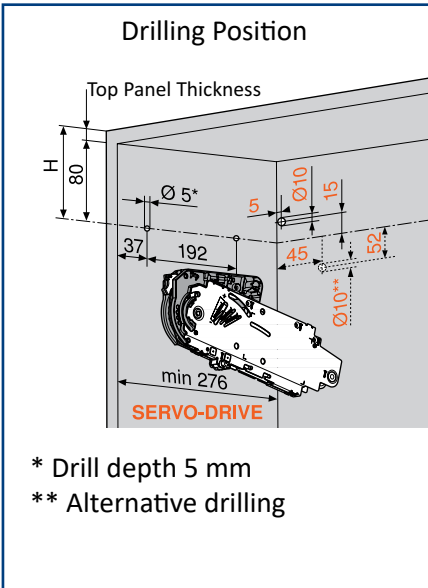
AVENTOS HS Up and Over

Blum AVENTOS HS Up and Over lift

- Integrated BLUMOTION soft close and opening
- Easy assembly
- Cabinet widths up to 1800mm
- Cabinet heights from 350mm - 800mm
- Standard CLIP technology for fronts
- Full 3 - way adjustment
- Minimum internal depth 276mm
- Adjustment for door weight with easy calibration
- Door can be stopped in any position
- No protruding parts for safety and easy transport



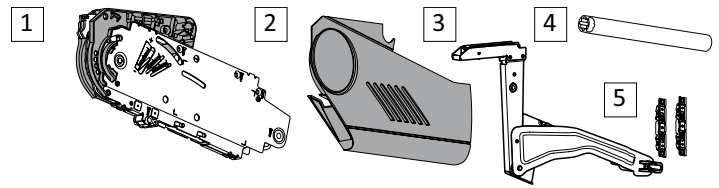
Lift and Slide



To obtain the perfect motion AVENTOS HS works based on establishing cabinet height and door weight including handle in kg. The tables opposite are based on the height and weight ranges for 20 mm MDF door

AVENTOS HS Sets

1. Mechanism 2 pieces
2. Cover Caps L+R
3. Lever Arms L+R
4. Stabiliser Bar
5. Front brackets 2 pieces



Blum AVENTOS HS Up and Over Lift Set

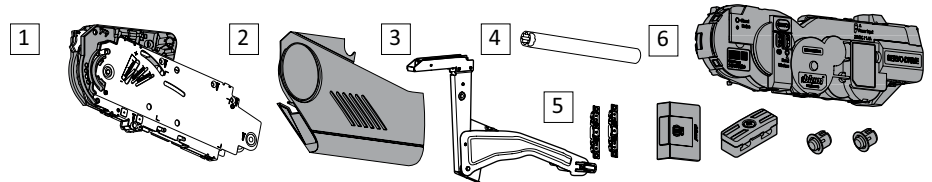
Door Height	Cabinet Width (mm)					
	500 mm	600 mm	800 mm	900 mm	1000 mm	1200 mm
355 mm	B20S3550 (2.00-4.75 kg)	B20S3560 (2.00 - 4.75 kg)	B20S3580 (2.00 - 4.75 kg)	B20S3590 (4.50 - 9.50 kg)	B20S3510 (4.50 - 9.25 kg)	B20S3512 (4.50 - 9.25 kg)
450 mm	B20S4550 (2.25-4.25 kg)	B20S4560 (4.00 - 8.50 kg)	B20S4580 (4.00 - 8.50 kg)	B20S4590 (4.00 - 8.50 kg)	B20S4510 (4.00 - 8.50 kg)	B20S4512 🗨️ (8.00 - 13.75 kg)
570 mm	B20S5750 (3.00 - 6.25 kg)	B20S5760 (3.00 - 6.25 kg)	B20S5780 🗨️ (5.75 - 12.00 kg)	B20S5790 🗨️ (5.75 - 12.00 kg)	B20S5710 🗨️ (5.75 - 12.00 kg)	B20S5712 🗨️ (5.75 - 12.00 kg)
715 mm	B20S7150 (3.50 - 7.50 kg)	B20S7160 (3.50 - 7.50 kg)	B20S7180 (6.75 - 13.00 kg)	B20S7190 (6.75 - 13.00 kg)	B20S7110 (6.75 - 13.00 kg)	B20S7112 (12.00 - 21kg)

Based on 20 mm MDF Door. PF* = Power Factor. Power factor guide see page 3.26

Lift and Slide

AVENTOS HS SERVO-DRIVE Sets

1. Mechanism 2 pieces
2. Cover Caps L+R
3. Lever Arms L+R
4. Stabiliser Bar
5. Front brackets 2 pieces
6. SERVO-DRIVE set



Note: AVENTOS SERVO-DRIVE requires a transformer BZ10NE050SET see page 1.123
One transformer required per kitchen (Island units may require additional transformer).

Blum AVENTOS HS SERVO-DRIVE Up and Over Lift Set

Door Height	Cabinet Width (mm)					
	500 mm	600 mm	800 mm	900 mm	1000 mm	1200 mm
355 mm	B21S3550 (2.00-4.75 kg)	B21S3560 (2.00 - 4.75 kg)	B21S3580 (2.00 - 4.75 kg)	B21S3590 (4.50 - 9.50 kg)	B21S3510 (4.50 - 9.25 kg)	B21S3512 (4.50 - 9.25 kg)
450 mm	B21S4550 (2.25-4.25 kg)	B21S4560 (4.00 - 8.50 kg)	B21S4580 (4.00 - 8.50 kg)	B21S4590 (4.00 - 8.50 kg)	B21S4510 (4.00 - 8.50 kg)	B21S4512 🗨️ (8.00 - 13.75 kg)
570 mm	B21S5750 (3.00 - 6.25 kg)	B21S5760 (3.00 - 6.25 kg)	B21S5780 🗨️ (5.75 - 12.00 kg)	B21S5790 🗨️ (5.75 - 12.00 kg)	B21S5710 🗨️ (5.75 - 12.00 kg)	B21S5712 🗨️ (5.75 - 12.00 kg)
715 mm	B21S7150 (3.50 - 7.50 kg)	B21S7160 (3.50 - 7.50 kg)	B21S7180 (6.75 - 13.00 kg)	B21S7190 (6.75 - 13.00 kg)	B21S7110 (6.75 - 13.00 kg)	B21S7112 (12.00 - 21kg)

Based on 20 mm MDF Door. PF* = Power Factor. Power factor guide see page 3.26