





CLIP HINGE Programme

Programme	Page Nr.
CLIP Top BLUMOTION Standard Hinges	4.01
CLIP Top BLUMOTION Special Angle Hinges	4.12
CLIP Top BLUMOTION Narrow Door Hinges	4.21
CLIP Top and CLIP Standard Hinges	4.22
CLIP Plates	4.30



MODUL HINGE Programme

Programme	Page Nr.
MODUL Standard Hinges	4.35
MODUL Fridge Hinge	4.38
MODUL Plates	4.39
NICO Adjustable Door Hinge	4.48



BLUMOTION FOR DOORS

Programme	Page Nr.
BLUMOTION CLIP ON	4.43
BLUMOTION Handle Side	4.44



TIP-ON FOR DOORS

Programme	Page Nr.
TIP-ON Pistons	4.45
TIP-ON Housings & Catches	4.46



MACHINES AND JIGS

Programme	Page Nr.
MINIPRESS top	4.50
MINIPRESS M	4.52
MINIPRESS P	4.53
Jigs and Templates	4.54



CLIP top BLUMOTION

CLIP top BLUMOTION brings together innovative technology, award-winning design and enhanced user convenience within the smallest space (because BLUMOTION has been seamlessly integrated into the boss). The improved hinge pivot produces completely new planning options. The system even copes with thicker door depths. Every door can now close with one silent and graceful action. BLUMOTION can be switched on or off depending on what's needed.

Assembly and adjustment

In addition to screw-on and knock-in boss options, CLIP top BLUMOTION also offers tool-free boss fixing with INSERTA. CLIP top BLUMOTION is compatible with existing CLIP mounting plates. Thanks to tried and tested CLIP technology, fronts can be mounted and removed quickly and easily. Infinitely variable 3-dimensional adjustment is simple and precise. Simply switch BLUMOTION off, for example, for smaller and lighter doors!



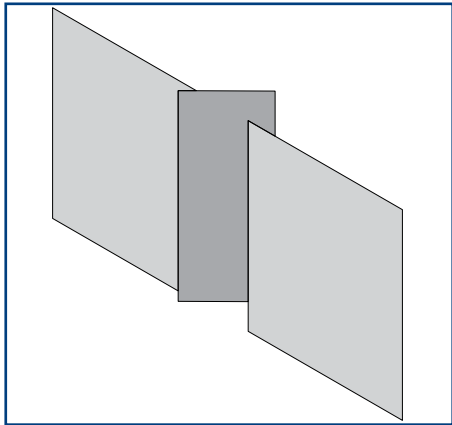
Key Advantages:

- BLUMOTION is integrated into hinge boss - simply switch feature off if not needed
- New hinge pivot for thicker door depths
- Compatible with existing mounting plates

BLUM CLIP HINGE PROGRAM

Inward Opening Furniture Door

APPLICATION



DESCRIPTION

- CLIP top BLUMOTION with integrated soft-close mechanism (can be deactivated)
- Suitable for the construction of cabinets with inward-opening doors
- For door widths up to 900mm
- 3-dimensional front adjustment
- Convenient spiral-screw side adjustment
- Tool free assembly and removal of the front
- Boss drilling on the cabinet

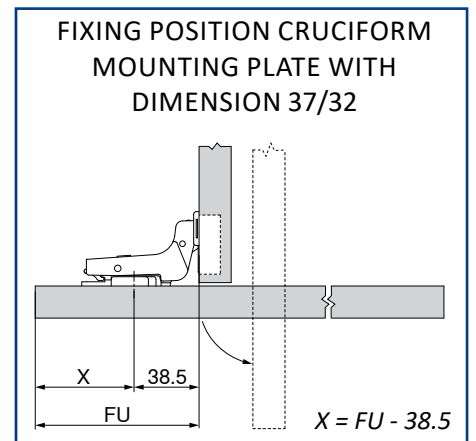
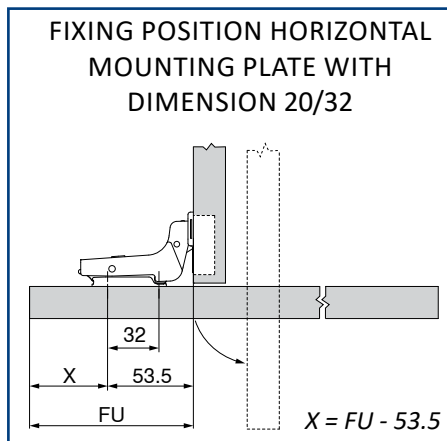
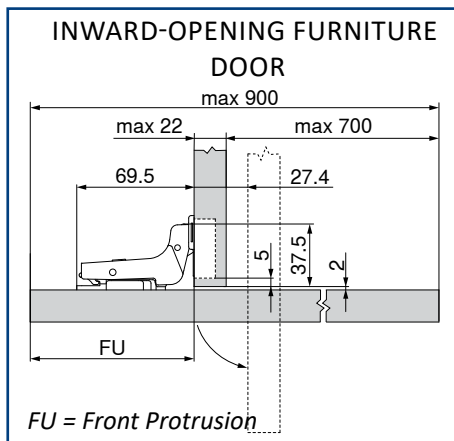
PRODUCT



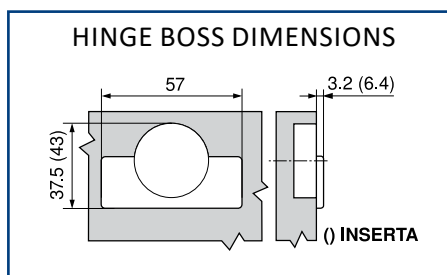
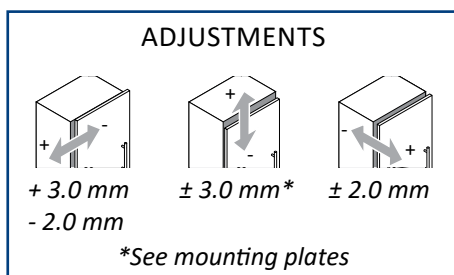
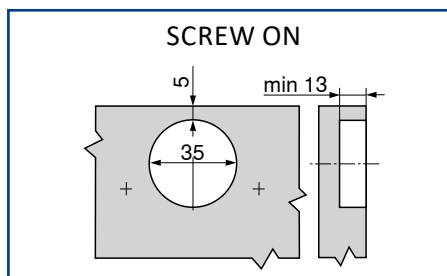
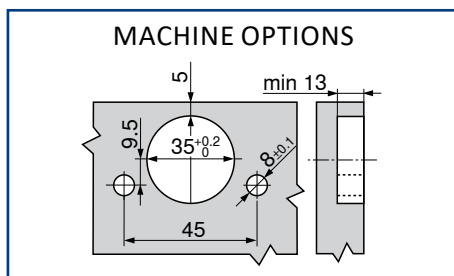
CLIP top BLUMOTION 110° Hinge

Application	Closing Mechanism	Screw On	Dowel On	EXPANDO	INSERTA
Inset	Integrated BLUMOTION	71B375	71B378	71B378E	71B379

Hinge Systems



Number of hinges - Door weight up to 22kg: 5 hinges, up to 27kg: 6 hinges, up to 32kg: 7 hinges
Application is tested with 80,000 opening and closing cycles



Hinge Cover Caps

Hinge Boss	Art. No.
	70T3504
Hinge Arm	Art. No.
Standard Application	-
Twin Application	-
Inset Application	701663

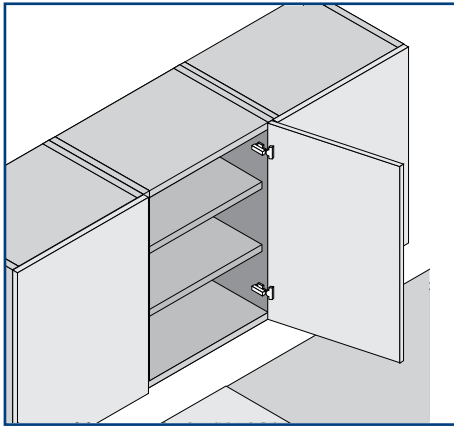
Available with your company name and logo by special order



BLUM CLIP HINGE PROGRAM

CLIP top BLUMOTION 110° Hinge

APPLICATION



DESCRIPTION

- All Metal concealed hinge
- 110° opening angle
- With integrated **BLUMOTION**
- With **BLUMOTION** deactivation facility
- Spring loaded closing mechanism
- Tool free assembly and removal
- Convenient spiral-tech depth adjustment
- 3-dimensional adjustment with suitable mounting plate
- 4 fixing options to door

PRODUCT

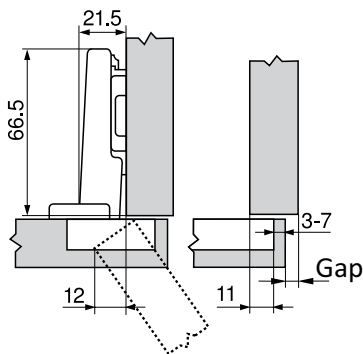


CLIP top BLUMOTION 110° Hinge

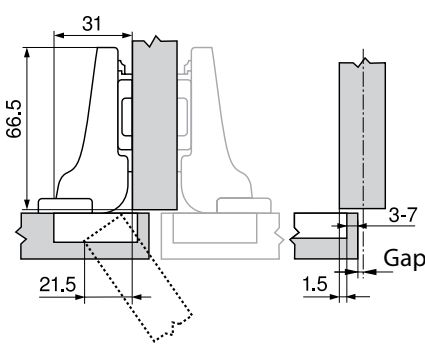
Application	Closing Mechanism	Screw On	Dowel In	EXPANDO	INSERTA
Standard	Integrated BLUMOTION	71B355	71B358	71B358E	71B359
Twin	Integrated BLUMOTION	71B365	71B368	71B368E	71B369
Inset	Integrated BLUMOTION	71B375	71B378	71B378E	71B379

Hinge Systems

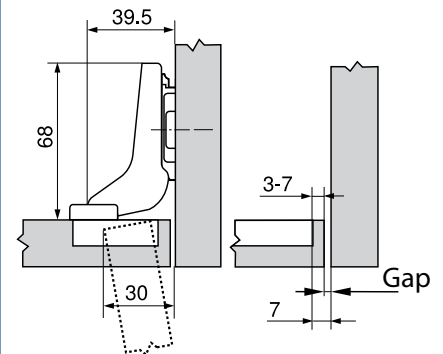
STANDARD APPLICATION



TWIN APPLICATION

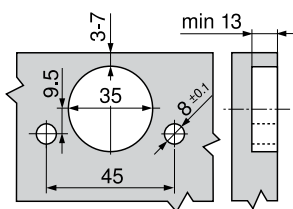


INSET APPLICATION

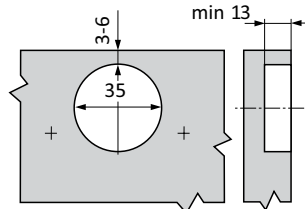


For Gap calculations see page 4.40

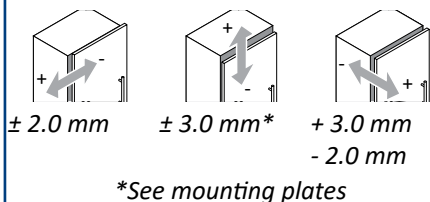
MACHINE OPTIONS



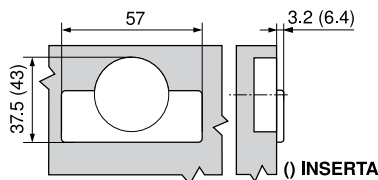
SCREW ON



ADJUSTMENTS



HINGE BOSS DIMENSIONS



Hinge Cover Caps

Hinge Boss

Art. No.



70T3504

Hinge Arm

Art. No.

Standard Application

701503

Twin Application

701663

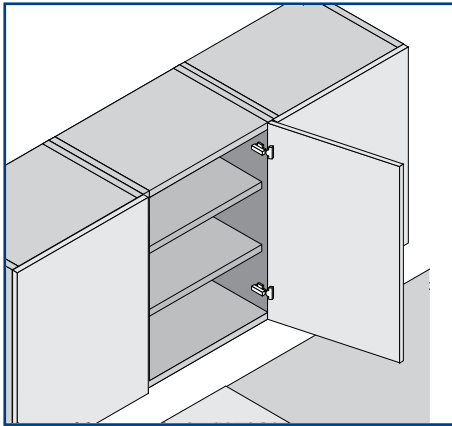
Inset Application

701663



Available with your company name and logo by special order

APPLICATION



DESCRIPTION

- All Metal hinge ONYX BLACK
- 110° opening angle
- With integrated **BLUMOTION**
- With **BLUMOTION** deactivation facility
- Spring loaded closing mechanism
- Tool free assembly and removal
- Convenient spiral-tech depth adjustment
- 3-dimensional adjustment with suitable mounting plate
- 2 fixing options to door

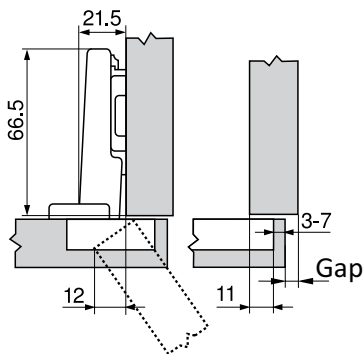
PRODUCT



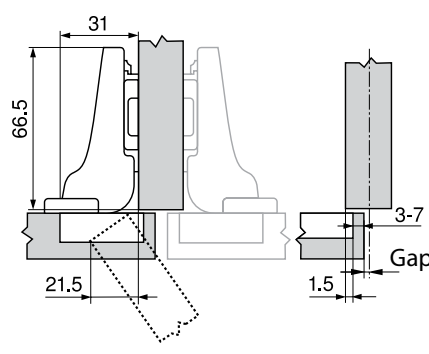
CLIP top BLUMOTION 110° Hinge Onyx

Application	Closing Mechanism	Screw On	INSERTA
Standard	Integrated BLUMOTION	71B355B	71B359B
Twin	Integrated BLUMOTION	71B365B	71B369B
Inset	Integrated BLUMOTION	71B375B	71B379B

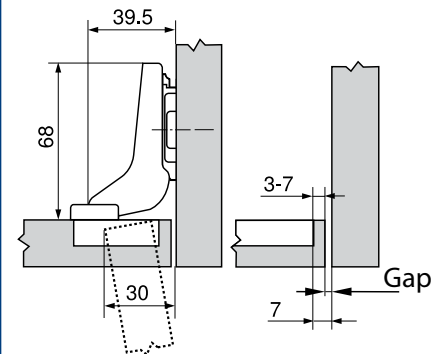
STANDARD APPLICATION



TWIN APPLICATION

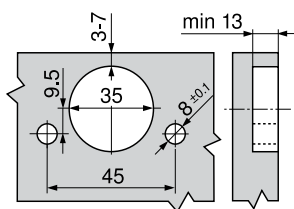


INSET APPLICATION

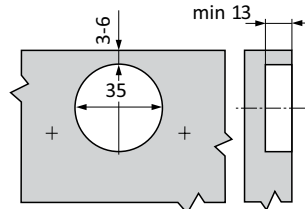


For Gap calculations see page 4.40

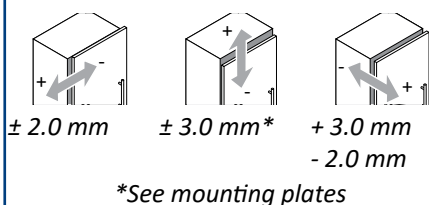
MACHINE OPTIONS



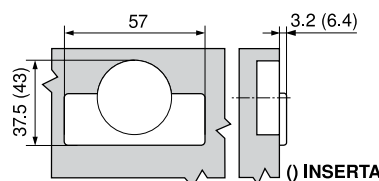
SCREW ON



ADJUSTMENTS



HINGE BOSS DIMENSIONS



Hinge Cover Caps

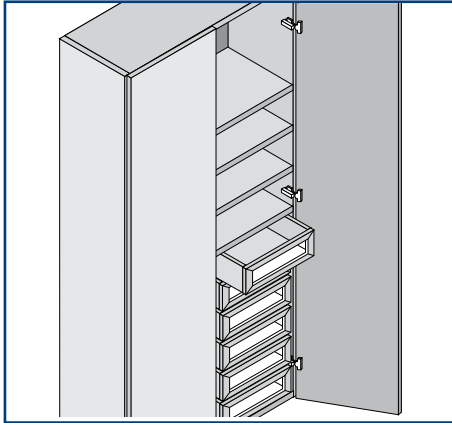
Hinge Boss	Art. No.
	70T3504B
Hinge Arm	Art. No.
Standard Application	701503B
Twin Application	701663B
Inset Application	701663B

Available with your company name and logo by special order

BLUM CLIP HINGE PROGRAM

CLIP top BLUMOTION 155°

APPLICATION



DESCRIPTION

- All Metal concealed hinge
- 155° opening angle
- For cabinets with inner drawers or pull-outs
- With integrated **BLUMOTION**
- **BLUMOTION** deactivation facility
- Tool free assembly and removal
- Convenient spiral-tech depth adjustment
- 3-dimensional adjustment (with suitable mounting plate)
- 2 fixing options to door

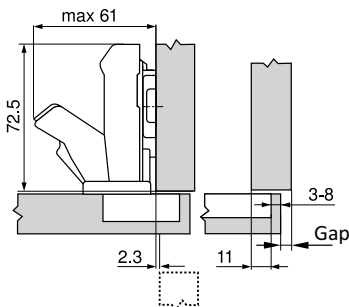
PRODUCT



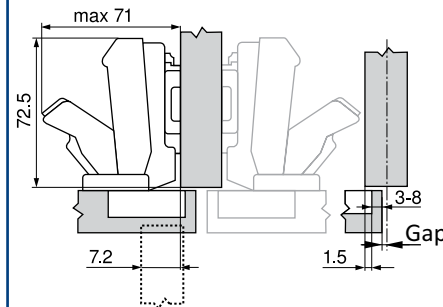
CLIP top BLUMOTION 155° Hinge

Application	Closing Mechanism	Screw On	Dowel In	EXPANDO	INSERTA
Standard	With Spring	71B755	71B758	71B758E	71B759
Twin	With Spring	71B760	-	-	71B764

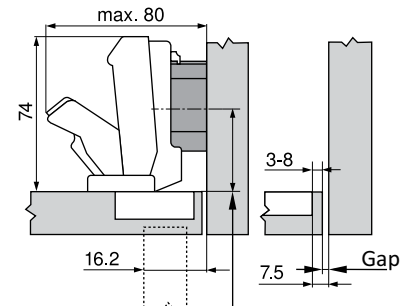
STANDARD APPLICATION



TWIN APPLICATION



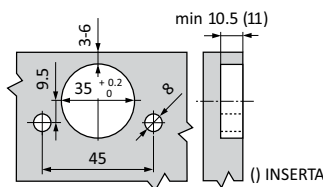
INSET APPLICATION



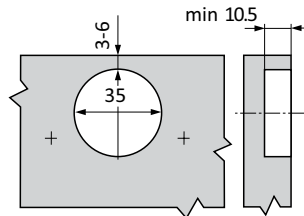
Use hinges for twin application with 9mm plate (see page 4.31)

For fronts up to 24 mm thick, no gap is required. A trial is recommended for door thicknesses greater than 24 mm (22 mm where a boss drilling distance of 7 mm or greater is used) or for an overlay application against a wall.

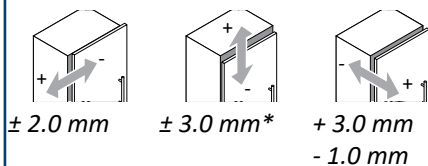
MACHINE OPTIONS



SCREW ON

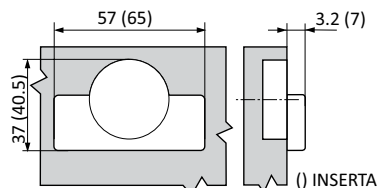


ADJUSTMENTS



*See mounting plates

HINGE BOSS DIMENSIONS



Hinge Cover Caps



Hinge Boss

Art. No.

N/A

Hinge Arm

Art. No.

Standard Application

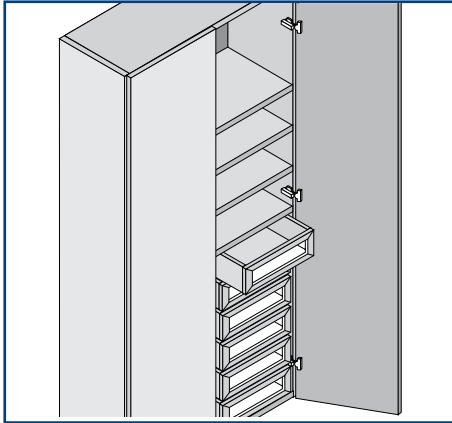
Twin Application

707503



Available with your company name and logo by special order

APPLICATION



DESCRIPTION

- All Metal hinge ONYX BLACK
- 155° opening angle
- For cabinets with inner drawers or pull-outs
- With integrated **BLUMOTION**
- **BLUMOTION** deactivation facility
- Tool free assembly and removal
- Convenient spiral-tech depth adjustment
- 3-dimensional adjustment (with suitable mounting plate)
- 2 fixing options to door

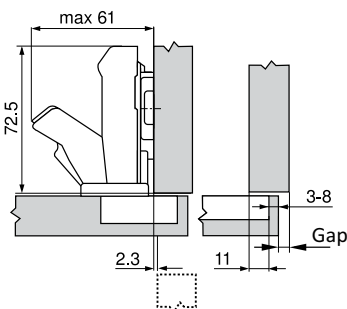
PRODUCT



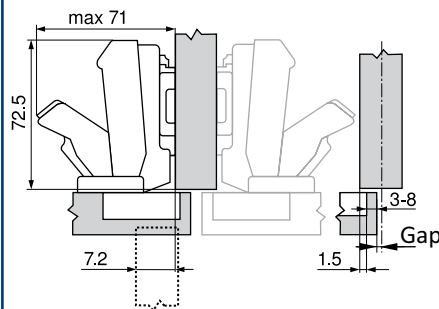
CLIP top BLUMOTION 155° Hinge Onyx

Application	Closing Mechanism	Screw On	Dowel In	EXPANDO	INSERTA
Standard	With Spring	71B755B	-	-	71B759B
Twin	With Spring	71B760B	-	-	71B764B

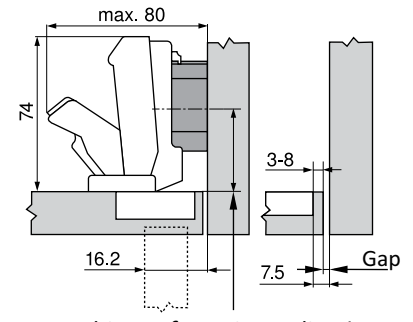
STANDARD APPLICATION



TWIN APPLICATION



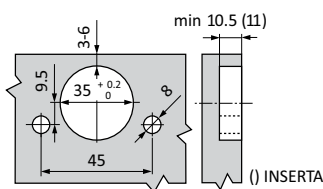
INSET APPLICATION



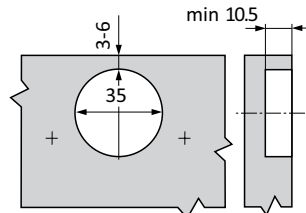
Use hinges for twin application with 9mm plate (see page 4.31)

For fronts up to 24 mm thick, no gap is required. A trial is recommended for door thicknesses greater than 24 mm (22 mm where a boss drilling distance of 7 mm or greater is used) or for an overlay application against a wall.

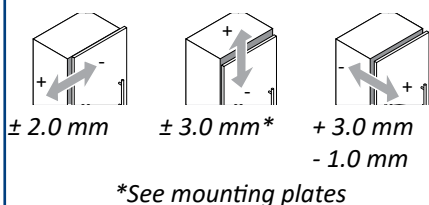
MACHINE OPTIONS



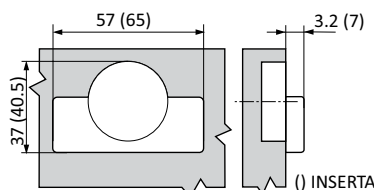
SCREW ON



ADJUSTMENTS



HINGE BOSS DIMENSIONS



Hinge Cover Caps

Hinge Boss	Art. No.
	N/A
Hinge Arm	Art. No.
Standard Application	707503B
Twin Application	
	Available with your company name and logo by special order

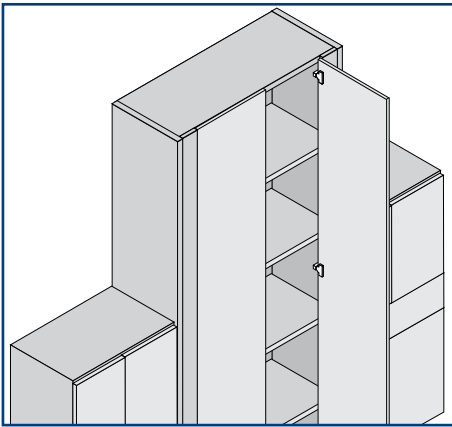
BLUM CLIP HINGE PROGRAM

CLIP top BLUMOTION Blind Corner Hinge

APPLICATION

DESCRIPTION

PRODUCT

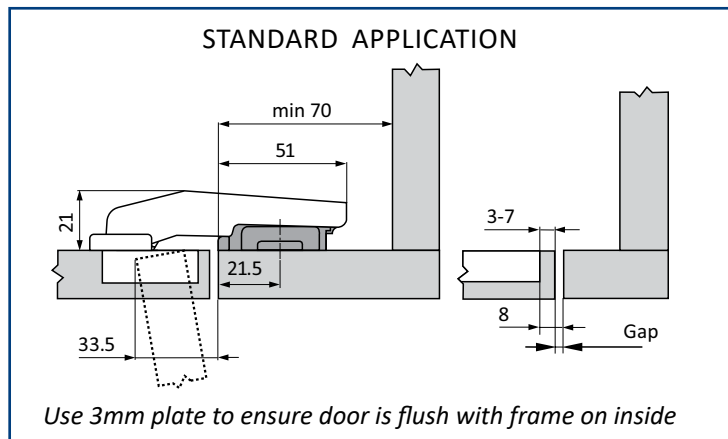


- All Metal concealed hinge
- Hinge for blind corner applications
- With integrated **BLUMOTION**
- With **BLUMOTION** deactivation facility
- 95° opening angle
- Tool free assembly and removal
- Convenient spiral-tech depth adjustment
- 3-dimensional adjustment (with suitable mounting plate)
- 2 fixing options to door

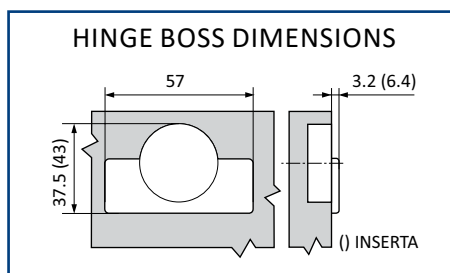
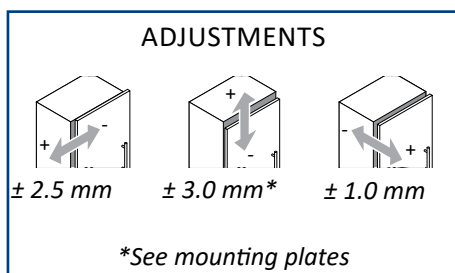
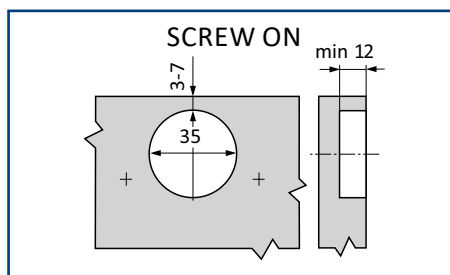
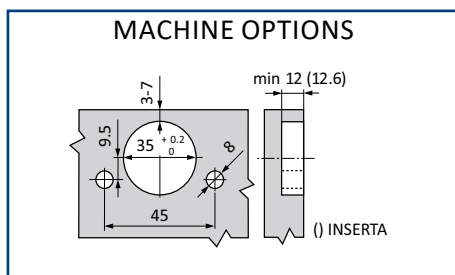


CLIP top BLUMOTION Blind Corner Hinge

Application	Closing Mechanism	Screw On	INSERTA
Blind Corner	Integrated BLUMOTION	79B955	79B959



For Gap calculations on all applications see page 4.41



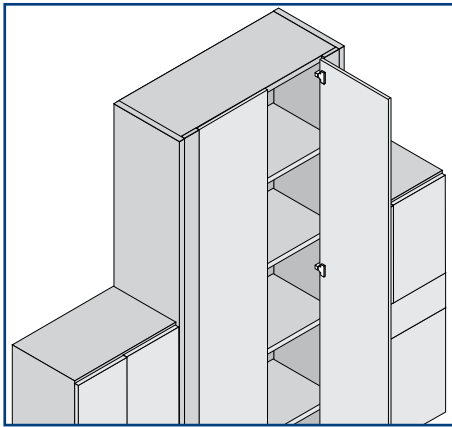
Hinge Cover Caps

Hinge Boss	Art. No.
	70T3504
Hinge Arm	Art. No.
Standard Application	701503
Twin Application	-
Inset Application	-

Available with your company name and logo by special order

CLIP top BLUMOTION Blind Corner Hinge

APPLICATION



DESCRIPTION

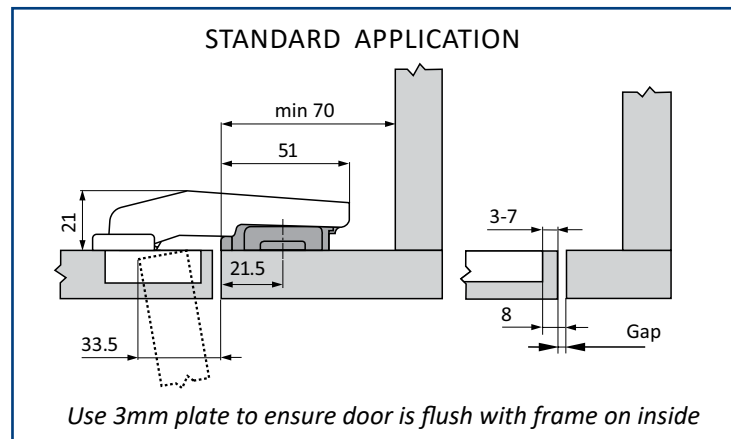
- All Metal hinge ONYX BLACK
- Hinge for blind corner applications
- With integrated **BLUMOTION**
- With **BLUMOTION** deactivation facility
- 95° opening angle
- Tool free assembly and removal
- Convenient spiral-tech depth adjustment
- 3-dimensional adjustment (with suitable mounting plate)
- 2 fixing options to door

PRODUCT

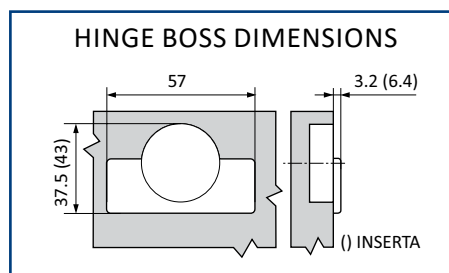
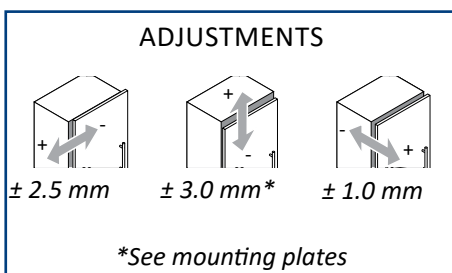
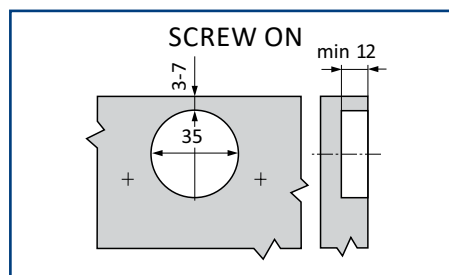
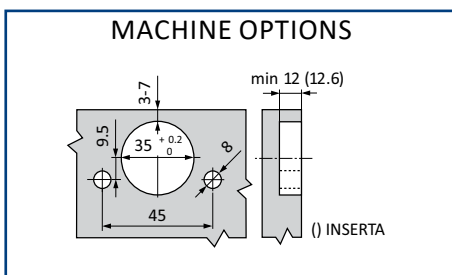


CLIP top BLUMOTION Blind Corner Hinge Onyx

Application	Closing Mechanism	Screw On	INSERTA
Blind Corner	Integrated BLUMOTION	79B955B	79B959B



For Gap calculations on all applications see page 4.41

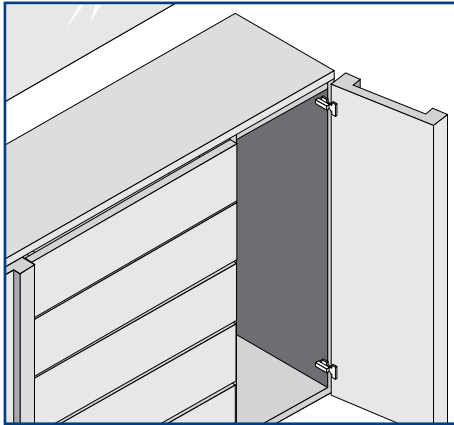


Hinge Cover Caps	
Hinge Boss	Art. No.
	70T3504B
Hinge Arm	Art. No.
Standard Application	701503B
Twin Application	-
Inset Application	-
	Available with your company name and logo by special order

BLUM CLIP HINGE PROGRAM

CLIP top BLUMOTION Profile Door Hinge

APPLICATION



DESCRIPTION

- All Metal concealed hinge
- 95° opening angle
- With integrated **BLUMOTION**
- With **BLUMOTION** deactivation facility
- Tool free assembly and removal
- Convenient spiral-tech depth adjustment
- 3-dimensional adjustment with suitable mounting plate
- 4 fixing options to door

PRODUCT

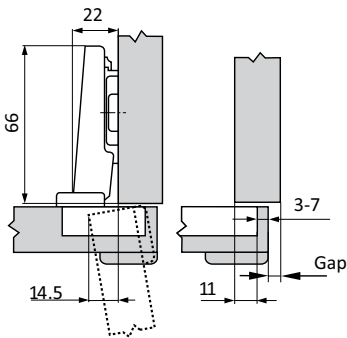


CLIP top BLUMOTION Profile Door Hinge

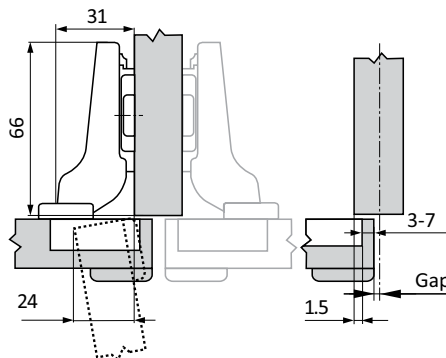
Application	Closing Mechanism	Screw On	Dowel In	EXPANDO	INSERTA
Standard	Integrated BLUMOTION	71B955	71B958	71B958E	71B959
Twin	Integrated BLUMOTION	71B965	71B968	71B968E	71B969
Inset	Integrated BLUMOTION	71B975	71B978	71B978E	71B979

Note: Due to the introduction of CLIP top BLUMOTION 110° hinge (See page 4.04) with its new pivot points and thicker door applications, please consult our offices for full availability on CLIP top BLUMOTION Profile Door Hinge

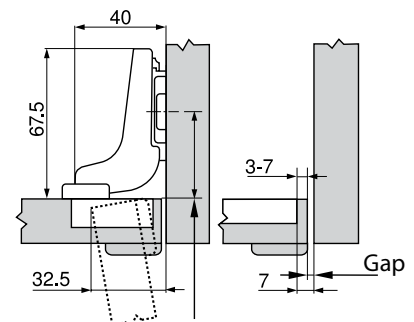
STANDARD APPLICATION



TWIN APPLICATION

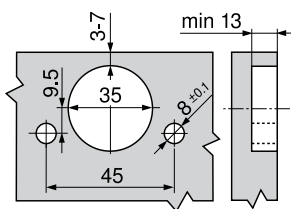


INSET APPLICATION

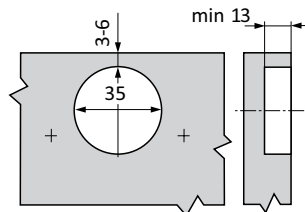


For Gap calculations on all applications see page 4.41

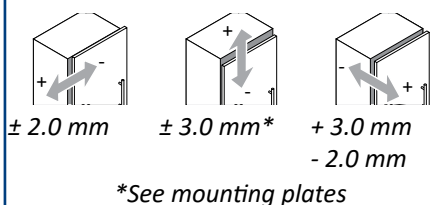
MACHINE OPTIONS



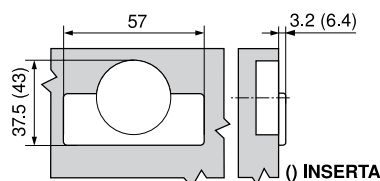
SCREW ON



ADJUSTMENTS



HINGE BOSS DIMENSIONS



Hinge Cover Caps



Hinge Boss

Art. No.

70T3504

Hinge Arm

Art. No.

Standard Application 701563

Twin Application 701663

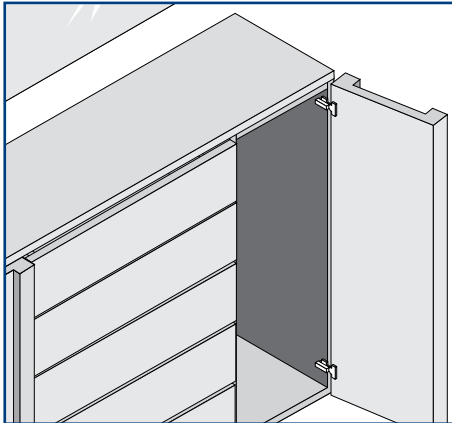
Inset Application 701663



Available with your company name and logo by special order

CLIP top BLUMOTION Profile Door Hinge

APPLICATION



DESCRIPTION

- All Metal hinge ONYX BLACK
- 95° opening angle
- With integrated **BLUMOTION**
- With **BLUMOTION** deactivation facility
- Tool free assembly and removal
- Convenient spiral-tech depth adjustment
- 3-dimensional adjustment with suitable mounting plate
- 4 fixing options to door

PRODUCT

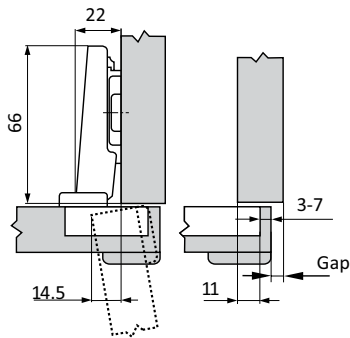


CLIP top BLUMOTION Profile Door Hinge Onyx

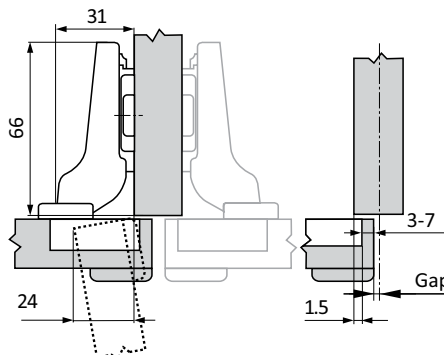
Application	Closing Mechanism	Screw On	INSERTA
Standard	Integrated BLUMOTION	71B955B	71B959B
Twin	Integrated BLUMOTION	71B965B	71B969B
Inset	Integrated BLUMOTION	71B975B	71B979B

Note: Due to the introduction of CLIP top BLUMOTION 110° hinge (See page 4.04) with its new pivot points and thicker door applications, please consult our offices for full availability on CLIP top BLUMOTION Profile Door Hinge

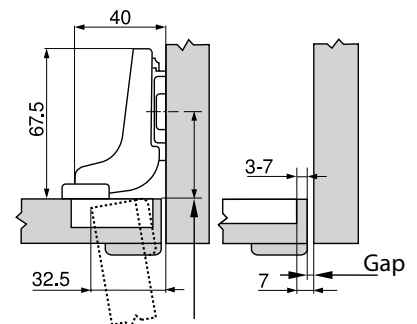
STANDARD APPLICATION



TWIN APPLICATION

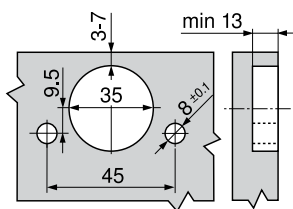


INSET APPLICATION

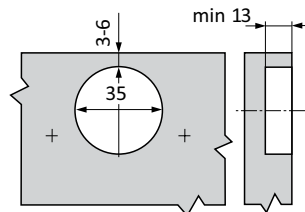


For Gap calculations on all applications see page 4.41

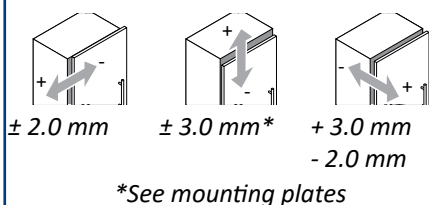
MACHINE OPTIONS



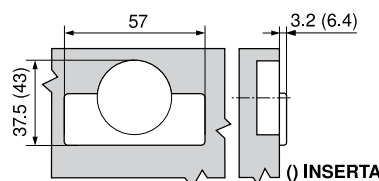
SCREW ON



ADJUSTMENTS



HINGE BOSS DIMENSIONS



Hinge Cover Caps

Hinge Boss	Art. No.
	70T3504B
Hinge Arm	Art. No.
Standard Application	701563B
Twin Application	701663B
Inset Application	701663B

Available with your company name and logo by special order

BLUM CLIP HINGE PROGRAM

CLIP top BLUMOTION 45° Angled Hinge

APPLICATION/PLAN NO.

DESCRIPTION

PRODUCT

	40°	45°	50°
	No. 23 Page 4.13		No. 25 Page 4.13
		No. 60 Page 4.13	
	No. 8 Page 4.13		
		No. 109 Page 4.13	
			No. 61 Page 4.13

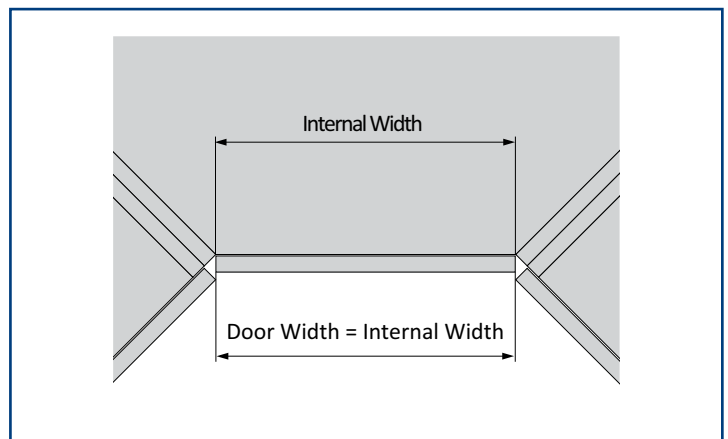
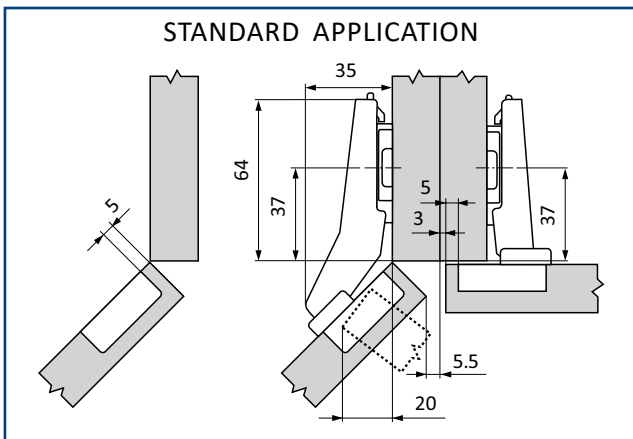
- All Metal concealed hinge
- 45° angled hinge
- 95° opening angle
- With integrated **BLUMOTION**
- With **BLUMOTION** deactivation facility
- Tool free assembly and removal
- Convenient spiral-tech depth adjustment
- 3-dimensional adjustment with suitable mounting plate
- 2 fixing options to door



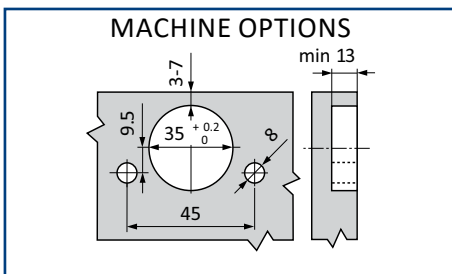
CLIP top BLUMOTION 45° Angled Hinge

Application	Screw On	Dowel In	INSERTA
Standard	79B9658	79B9688	79B9698

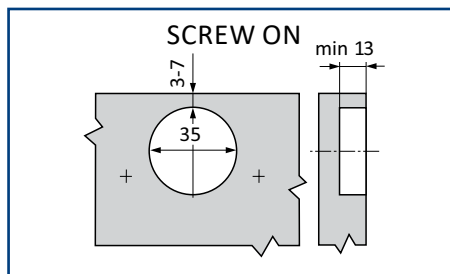
STANDARD APPLICATION



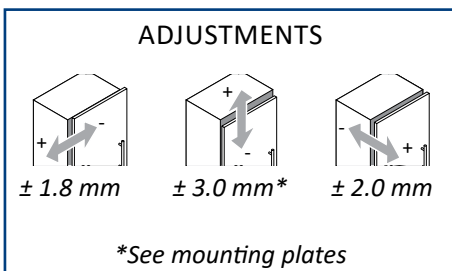
MACHINE OPTIONS



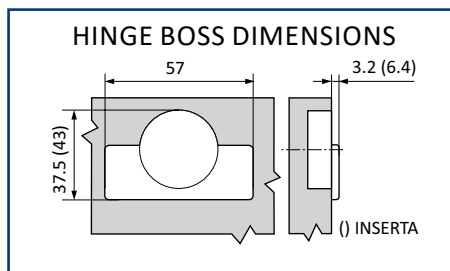
SCREW ON



ADJUSTMENTS



HINGE BOSS DIMENSIONS



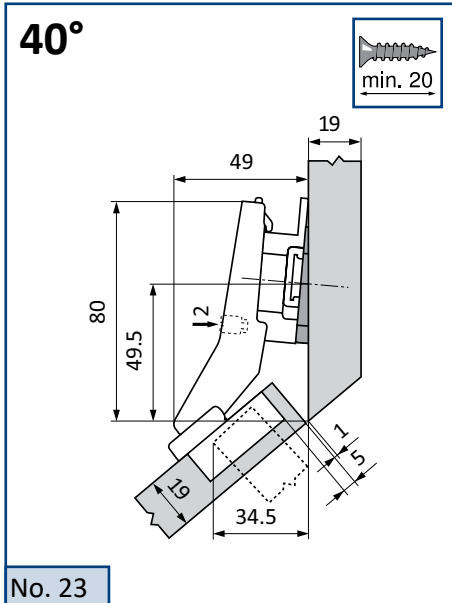
Hinge Cover Caps

Hinge Boss	Art. No.
	70T3504
Hinge Arm	Art. No.
Standard Application	701563
Twin Application	-
Inset Application	-

Available with your company name and logo by special order

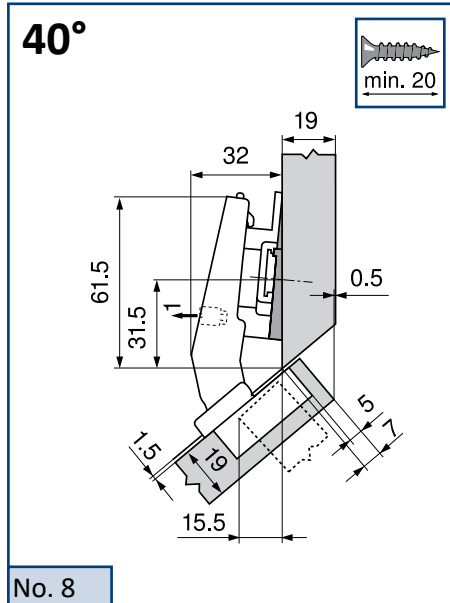
SPECIAL APPLICATIONS

Please note that the following planning dimensions are just a small selection of the applications that can be achieved, for a full selection please contact head office. All dimensions are based on 19 mm door and cabinet gable thickness, a trial is recommended if either dimensions vary from 19mm.



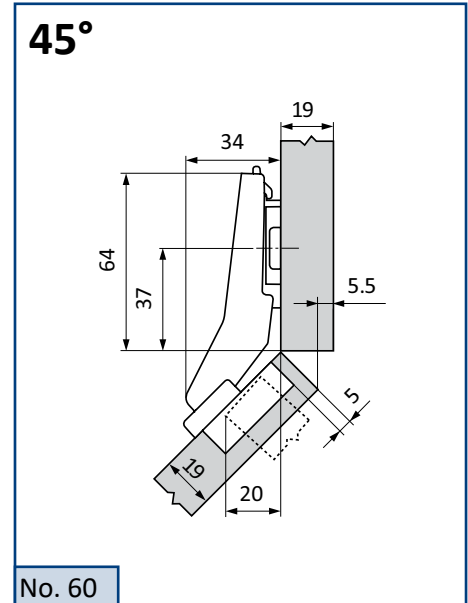
40° Inset Application

45° Screw On Hinge	79B9658
45° INSERTA Hinge	79B9698
Angled Spacer -5°	171A5500
Hinge Plate 9 mm	175H719



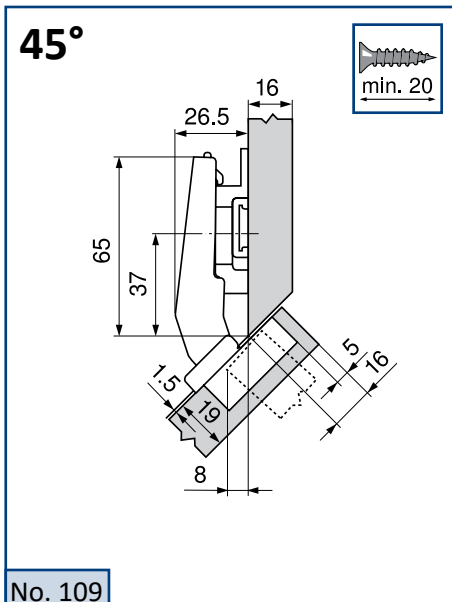
40° Overlay Application

45° Screw On Hinge	79B9458
45° INSERTA Hinge	79B9498
Angled Spacer -5°	171A5500
Hinge Plate 6 mm	175H916



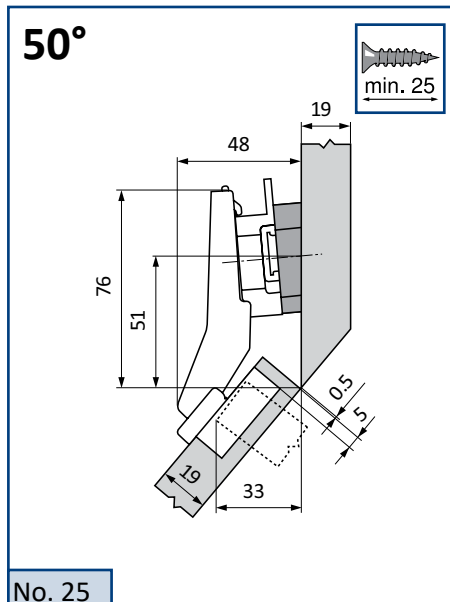
45° Half Overlay Application

45° Screw On Hinge	79B9658
45° INSERTA Hinge	79B9698
Angled Spacer	N/A
Hinge Plate 0 mm	173H710



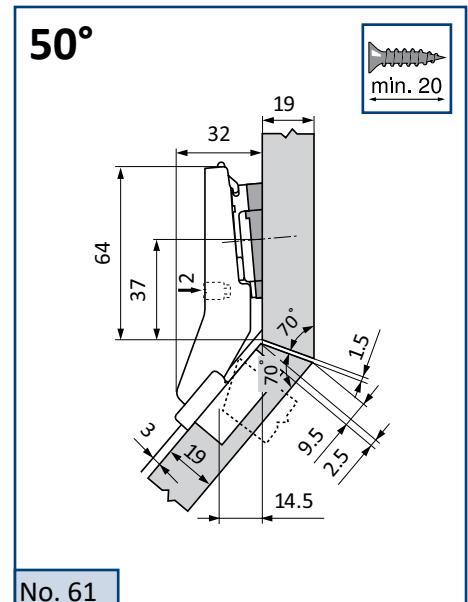
45° Max Overlay Application

45° Screw On Hinge	79B9458
45° INSERTA Hinge	79B9498
Angled Spacer	N/A
Hinge Plate 6 mm	175H916



50° Inset Application

45° Screw On Hinge	79B9658
45° INSERTA Hinge	79B9698
Angled Spacer +5°	171A5070
Hinge Plate 9 mm	175H719



50° Mitred Application

45° Screw On Hinge	79B9658
45° INSERTA Hinge	79B9698
Angled Spacer +5°	171A5010
Hinge Plate 0 mm	173H710

BLUM CLIP HINGE PROGRAM

CLIP top BLUMOTION 30° Angled Hinge

APPLICATION/PLAN NO.

	25°	30°	35°
	No. 20 Page 4.15	No. 21 Page 4.14	No. 22 Page 4.15
	No.50 Page 4.15	No. 51 Page 4.14	No.52 Page 4.15
		No. 6 Page 4.14	No. 7 Page 4.15
	No.57 Page 4.15		

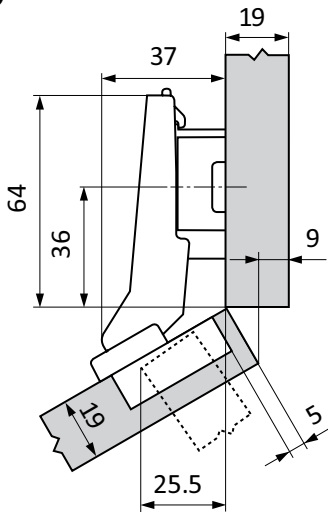
DESCRIPTION

- All Metal concealed hinge
- 30° angled hinge
- 95° opening angle
- With integrated **BLUMOTION**
- With **BLUMOTION** deactivation facility
- Tool free assembly and removal
- Convenient spiral-tech depth adjustment
- 3-dimensional adjustment with suitable mounting plate
- 2 fixing options to door

PRODUCT

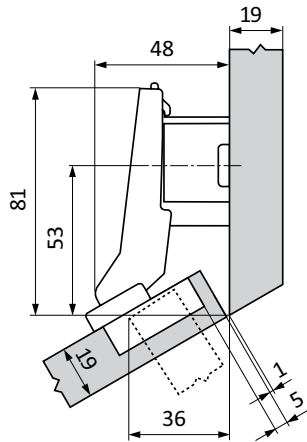


30°



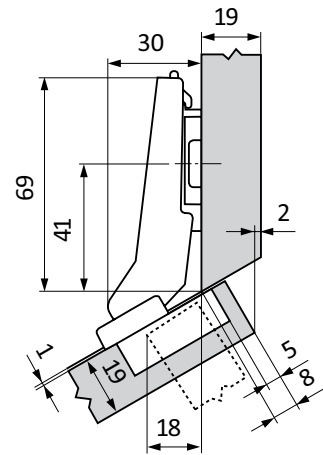
No. 51

30°



No. 21

30°



No. 6

30° Half Overlay Application

30° Screw On Hinge	79B9556
30° INSERTA Hinge	79B9596
Angled Spacer	N/A
Hinge Plate 9 mm	175H719

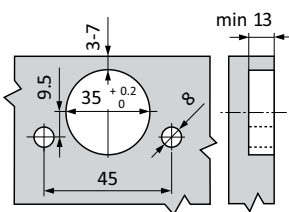
30° Inset Application

30° Screw On Hinge	79B9556
30° INSERTA Hinge	79B9596
Angled Spacer	N/A
Hinge Plate 18mm	175H71922

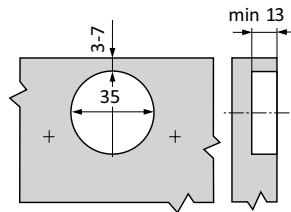
30° Overlay Application

30° Screw On Hinge	79B9556
30° INSERTA Hinge	79B9596
Angled Spacer	N/A
Hinge Plate 0mm	173H710

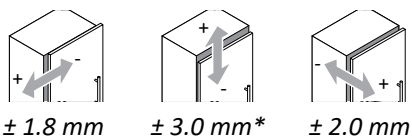
MACHINE OPTIONS



SCREW ON

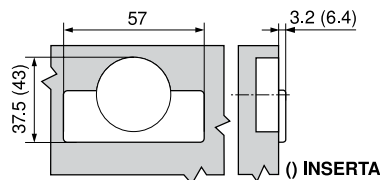


ADJUSTMENTS



*See mounting plates

HINGE BOSS DIMENSIONS



() INSERTA

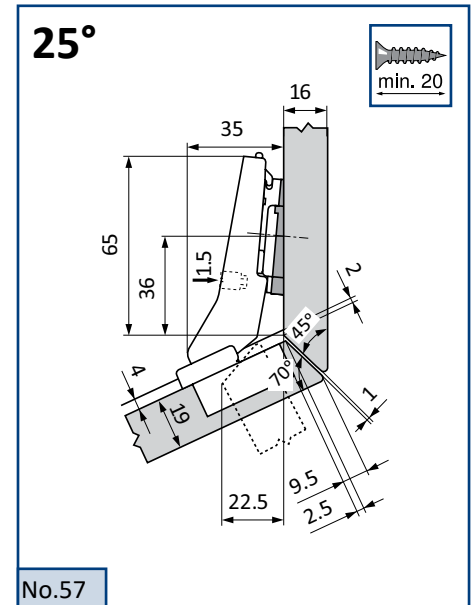
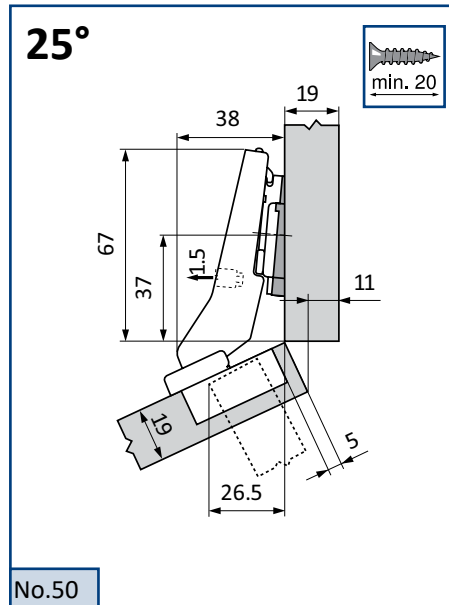
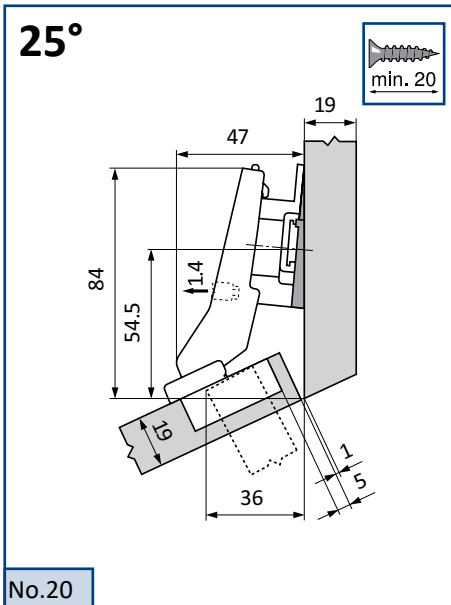
Hinge Cover Caps

Hinge Boss	Art. No.
	70T3504
Hinge Arm	Art. No.
Standard Application	701563
Twin Application	-
Inset Application	-

Available with your company name and logo by special order

SPECIAL APPLICATIONS

Please note that the following planning dimensions are just a small selection of the applications that can be achieved, for a full selection please contact head office. All dimensions are based on 19 mm door and cabinet gable thickness, a trial is recommended if either dimensions vary from 19 mm.



25° Inset Application

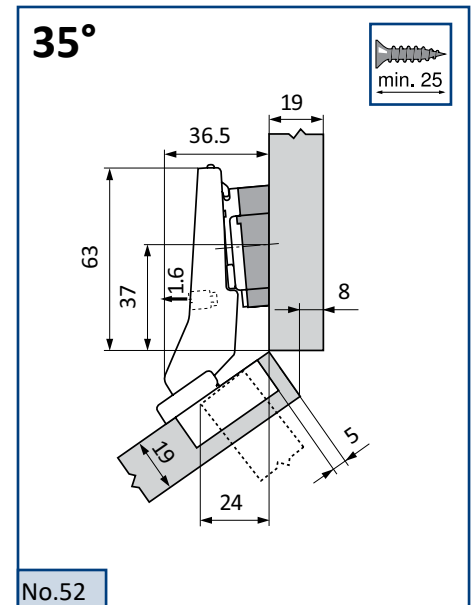
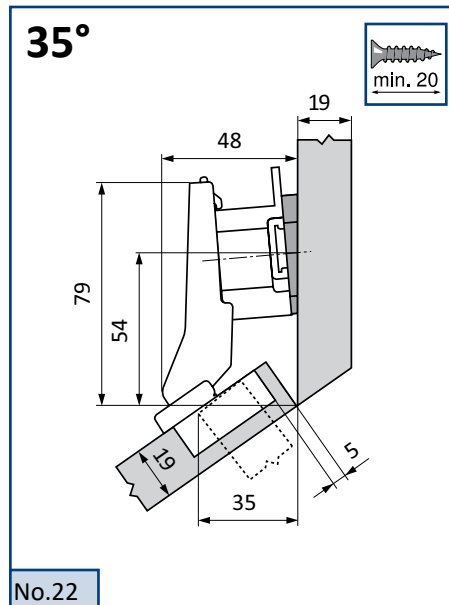
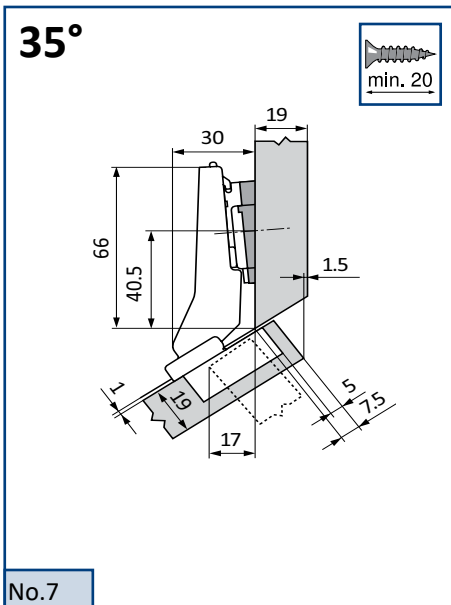
30° Screw On Hinge	79B9556
30° INSERTA Hinge	79B9596
Angled Spacer - 5°	171A5500
Hinge Plate 9 mm	175H719

25° Half Overlay Application

30° Screw On Hinge	79B9556
30° INSERTA Hinge	79B9596
Angled Spacer - 5°	171A5500
Hinge Plate 0 mm	173H710

25° Mitred Application

30° Screw On Hinge	79B9556
30° INSERTA Hinge	79B9596
Angled Spacer - 5°	171A5500
Hinge Plate 0 mm	173H710



35° Overlay Application

30° Screw On Hinge	79B9556
30° INSERTA Hinge	79B9596
Angled Spacer + 5°	171A5010
Hinge Plate 0 mm	173H710

35° Inset Application

30° Screw On Hinge	79B9556
30° INSERTA Hinge	79B9596
Angled Spacer + 5°	171A5010
Hinge Plate 18 mm	175H71922

35° Half Overlay Application

30° Screw On Hinge	79B9556
30° INSERTA Hinge	79B9596
Angled Spacer + 5°	171A5070
Hinge Plate 0 mm	173H710

BLUM CLIP HINGE PROGRAM

CLIP top BLUMOTION 20° Angled Hinge

APPLICATION/PLAN NO.

	15°	20°	25°
	No. 48 Page 4.16	No. 49 Page 4.16	
			No. 5 Page 4.16

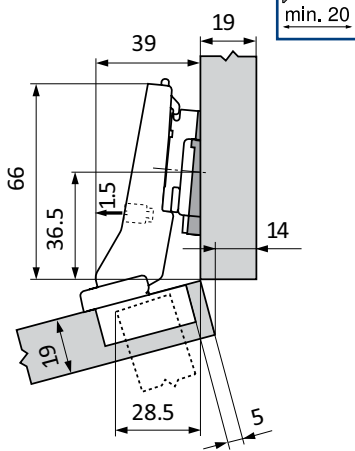
DESCRIPTION

- All Metal concealed hinge
- 20° angled hinge
- 95° opening angle
- With integrated **BLUMOTION**
- With **BLUMOTION** deactivation facility
- Tool free assembly and removal
- Convenient spiral-tech depth adjustment
- 3-dimensional adjustment with suitable mounting plate
- 2 fixing options to door

PRODUCT

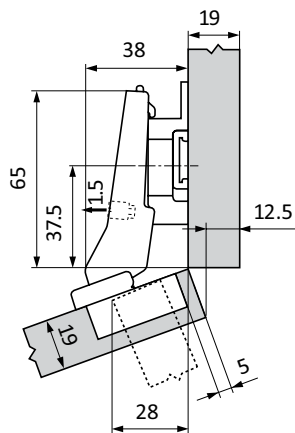


15°



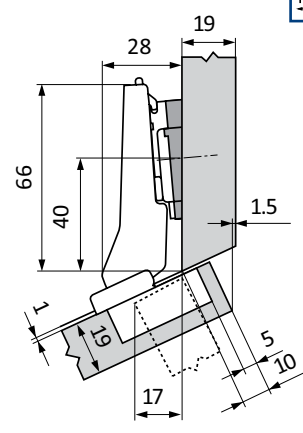
No.48

20°



No.49

25°



No.5

15° Half Overlay Application

20° Screw On Hinge	79B9555
20° INSERTA Hinge	79B9595
Angled Spacer - 5°	171A5500
Hinge Plate 3mm	173H713

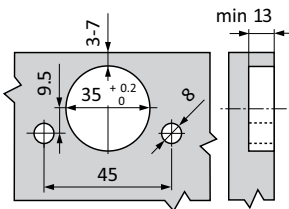
20° Half Overlay Application

20° Screw On Hinge	79B9555
20° INSERTA Hinge	79B9595
Angled Spacer	N/A
Hinge Plate 9 mm	175H719

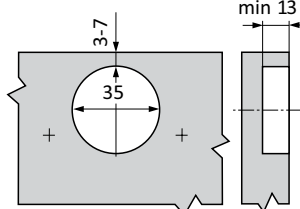
25° Overlay Application

20° Screw On Hinge	79B9555
20° INSERTA Hinge	79B9595
Angled Spacer + 5°	171A5010
Hinge Plate 0 mm	173H710

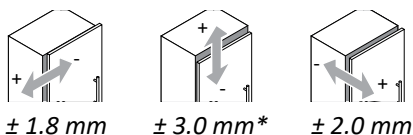
MACHINE OPTIONS



SCREW ON

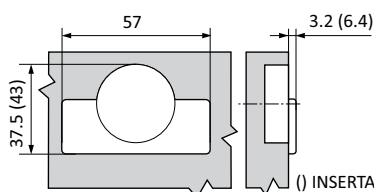


ADJUSTMENTS



*See mounting plates

HINGE BOSS DIMENSIONS



Hinge Cover Caps

Hinge Boss	Art. No.
	70T3504
Hinge Arm	Art. No.
Standard Application	701563
Twin Application	-
Inset Application	-

Available with your company name and logo by special order

Hinge Systems

APPLICATION/PLAN NO.

	10°	15°	20°
	No. 47 Page 4.17		
		No. 3 Page 4.17	
			No. 39 Page 4.17

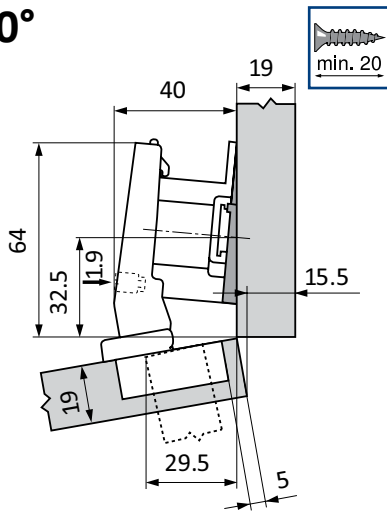
DESCRIPTION

- All Metal concealed hinge
- 15° angled hinge
- 95° opening angle
- With integrated **BLUMOTION**
- With **BLUMOTION** deactivation facility
- Tool free assembly and removal
- Convenient spiral-tech depth adjustment
- 3-dimensional adjustment with suitable mounting plate
- 2 fixing options to door

PRODUCT

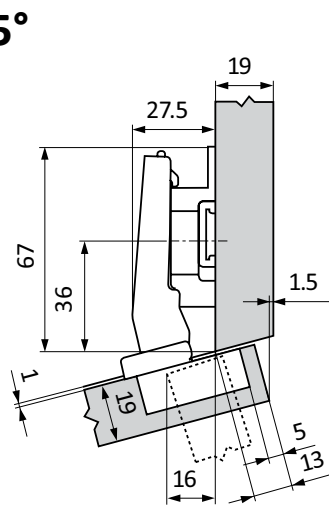


10°



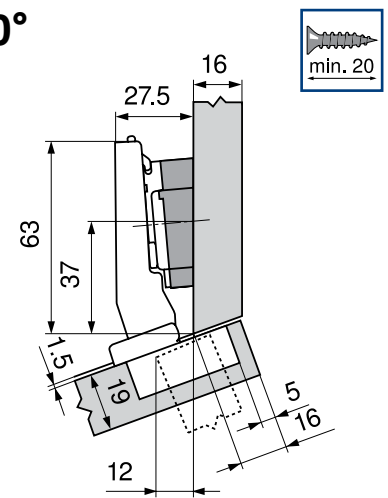
No.47

15°



No.3

20°



No.39

10° Half Overlay Application

15° Screw On Hinge	79B9454
15° INSERTA Hinge	79B9494
Angled Spacer - 5°	171A5500
Hinge Plate 18mm	175H71922

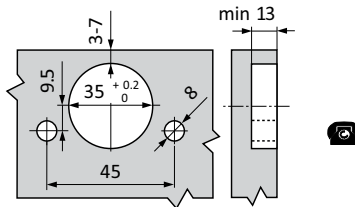
15° Overlay Application

15° Screw On Hinge	79B9454
15° INSERTA Hinge	79B9494
Angled Spacer	N/A
Hinge Plate 9mm	175H719

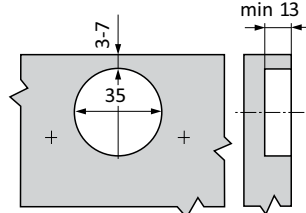
20° Max Overlay Application

15° Screw On Hinge	79B9454
15° INSERTA Hinge	79B9494
Angled Spacer +5°	171A5070
Hinge Plate 0mm	173H710

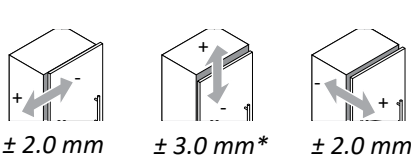
MACHINE OPTIONS



SCREW ON

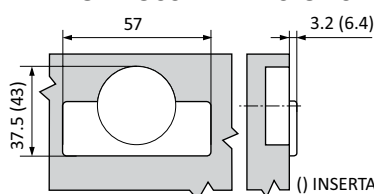


ADJUSTMENTS



*See mounting plates

HINGE BOSS DIMENSIONS



Hinge Cover Caps

Hinge Boss	Art. No.
	70T3504
Hinge Arm	Art. No.
Standard Application	701563
Twin Application	-
Inset Application	-

Available with your company name and logo by special order

BLUM CLIP HINGE PROGRAM

CLIP top BLUMOTION -45° Angled Hinge

APPLICATION/PLAN NO.

	-40°	-45°	-50°
	No. 28 Page 4.18	No. 27 Page 4.18	No. 26 Page 4.18

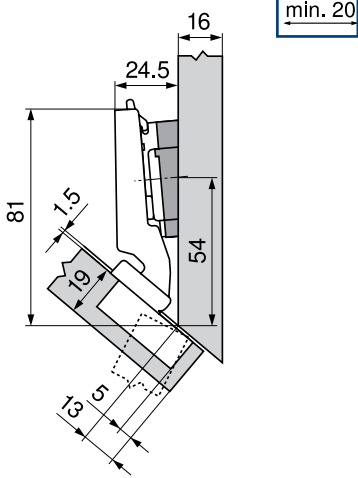
DESCRIPTION

- All Metal concealed hinge
- -45° angled hinge
- 110° opening angle
- With integrated **BLUMOTION**
- With **BLUMOTION** deactivation facility
- Tool free assembly and removal
- Convenient spiral-tech depth adjustment
- 3-dimensional adjustment with suitable mounting plate
- 2 fixing options to door

PRODUCT

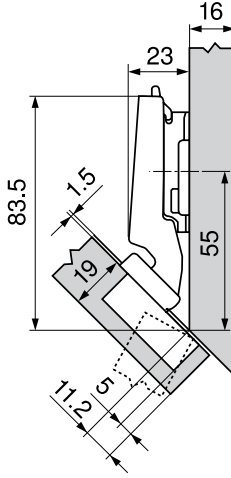


-40°



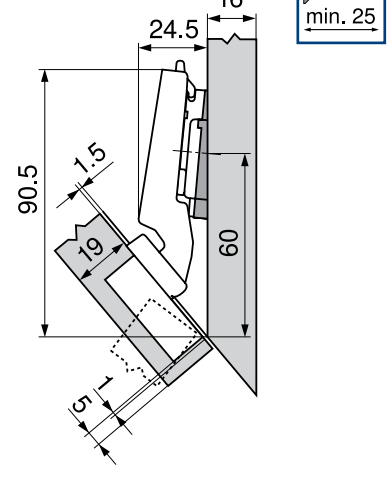
No.28

-45°



No.27

-50°



No.26

Hinge Systems

-40° Overlay Application

-45° Screw On Hinge	79B3450
-45° INSERTA Hinge	79B3490
Angled Spacer +5°	171A5040
Hinge Plate 0mm	173H710

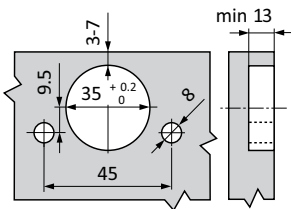
-45° Overlay Application

-45° Screw On Hinge	79B3450
-45° INSERTA Hinge	79B3490
Angled Spacer	N/A
Hinge Plate 3mm	173H713

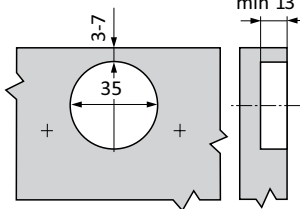
-50° Overlay Application

-45° Screw On Hinge	79B3450
-45° INSERTA Hinge	79B3490
Angled Spacer -5°	171A5500
Hinge Plate 0mm	173H710

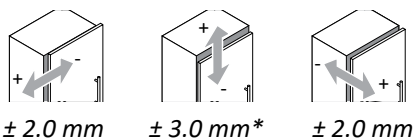
MACHINE OPTIONS



SCREW ON

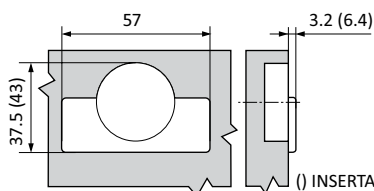


ADJUSTMENTS



*See mounting plates

HINGE BOSS DIMENSIONS



Hinge Cover Caps

Hinge Boss	Art. No.
	70T3504
Hinge Arm	Art. No.
Standard Application	701563
Twin Application	-
Inset Application	-

Available with your company name and logo by special order

CLIP top BLUMOTION -30° Angled Hinge

APPLICATION/PLAN NO.

	-25°	-30°	-35°
	No. 31 Page 4.19	No. 30 Page 4.19	No. 29 Page 4.19

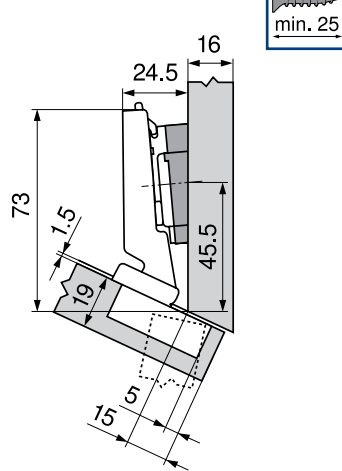
DESCRIPTION

- All Metal concealed hinge
- -30° angled hinge
- 110° opening angle
- With integrated **BLUMOTION**
- With **BLUMOTION** deactivation facility
- Tool free assembly and removal
- Convenient spiral-tech depth adjustment
- 3-dimensional adjustment with suitable mounting plate
- 2 fixing options to door

PRODUCT

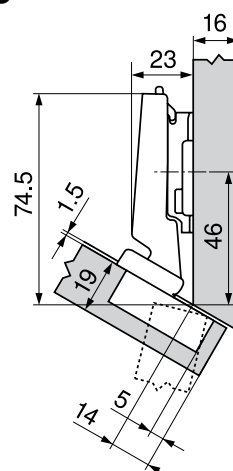


-25°



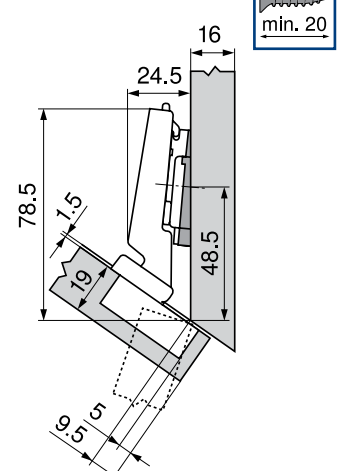
No.31

-30°



No.30

-35°



No.29

-25° Full Overlay Application

-30° Screw On Hinge	79B3451
-30° INSERTA Hinge	79B3491
Angled Spacer +5°	171A5040
Hinge Plate 0mm	173H710

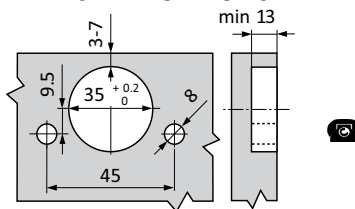
-30° Full Overlay Application

-30° Screw On Hinge	79B3451
-30° INSERTA Hinge	79B3491
Angled Spacer	N/A
Hinge Plate 3mm	173H713

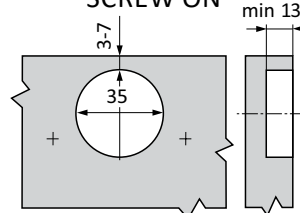
-35° Full Overlay Application

-30° Screw On Hinge	79B3451
-30° INSERTA Hinge	79B3491
Angled Spacer -5°	171A5500
Hinge Plate 0mm	173H710

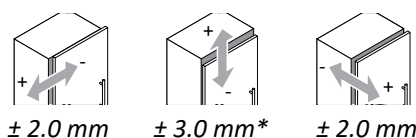
MACHINE OPTIONS



SCREW ON

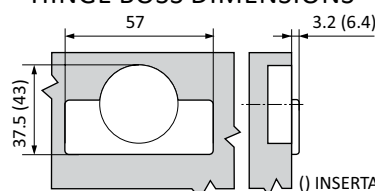


ADJUSTMENTS



*See mounting plates

HINGE BOSS DIMENSIONS



Hinge Cover Caps

Hinge Boss	Art. No.
	70T3504
Hinge Arm	Art. No.
Standard Application	701563
Twin Application	-
Inset Application	-

Available with your company name and logo by special order

BLUM CLIP HINGE PROGRAM

CLIP top BLUMOTION -15° Angled Hinge

APPLICATION/PLAN NO.

	-10°	-15°	-20°
	No.34 Page 4.20	No. 33 Page 4.20	No. 32 Page 4.20

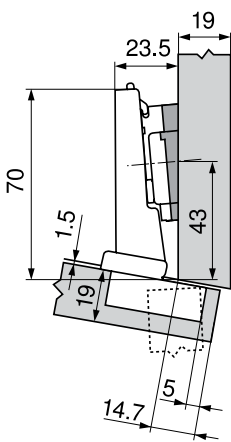
DESCRIPTION

- All Metal concealed hinge
- -15° angled hinge
- 110° opening angle
- With integrated **BLUMOTION**
- With **BLUMOTION** deactivation facility
- Tool free assembly and removal
- Convenient spiral-tech depth adjustment
- 3-dimensional adjustment with suitable mounting plate
- 2 fixing options to door

PRODUCT

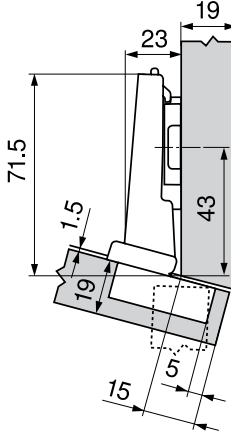


-10°



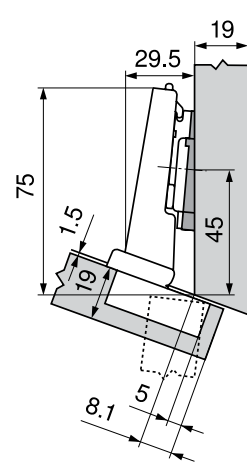
No.34

-15°



No.33

-20°



No.32

-10° Full Overlay Application

-15° Screw On Hinge	79B3453
-15° INSERTA Hinge	79B3493
Angled Spacer +5°	171A5010
Hinge Plate 0mm	173H710

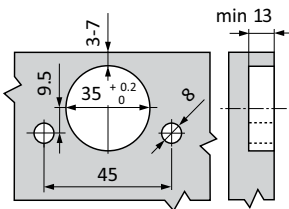
-15° Full Overlay Application

-15° Screw On Hinge	79B3453
-15° INSERTA Hinge	79B3493
Angled Spacer	N/A
Hinge Plate 0mm	173H710

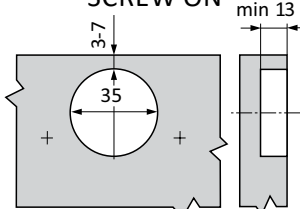
-20° Full Overlay Application

-15° Screw On Hinge	79B3453
-15° INSERTA Hinge	79B3493
Angled Spacer -5°	171A5500
Hinge Plate 0mm	173H710

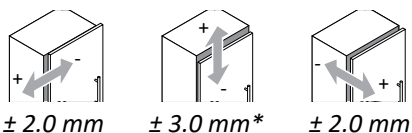
MACHINE OPTIONS



SCREW ON

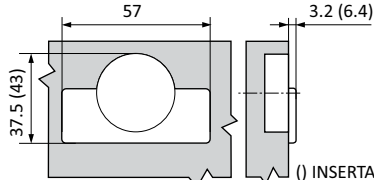


ADJUSTMENTS



*See mounting plates

HINGE BOSS DIMENSIONS



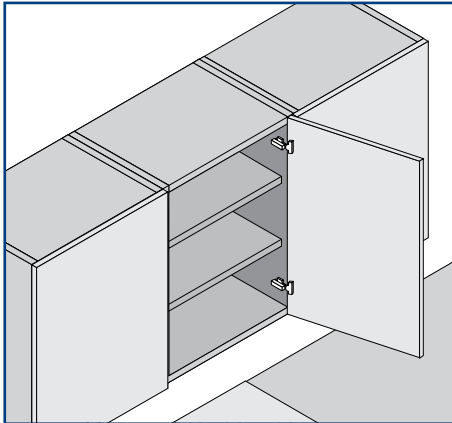
Hinge Cover Caps

Hinge Boss	Art. No.
	70T3504
Hinge Arm	Art. No.
Standard Application	701503
Twin Application	-
Inset Application	-

Available with your company name and logo by special order

CLIP top BLUMOTION 110° Hinge for narrow doors

APPLICATION



DESCRIPTION

- Concealed hinge 8-13 mm doors
- 110° opening angle
- With integrated **BLUMOTION**
- With **BLUMOTION** deactivation facility
- Tool free assembly and removal
- Convenient spiral-tech depth adjustment
- 3-dimensional adjustment with suitable mounting plate
- EXPANDO T fixing to door

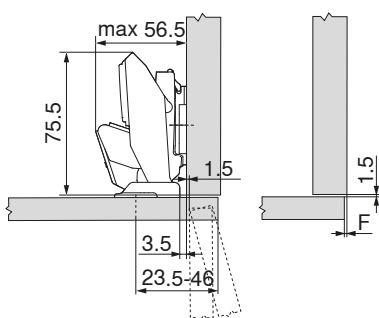
PRODUCT



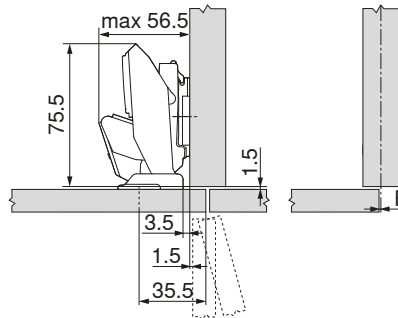
CLIP top BLUMOTION Narrow Door Hinge

Application	Closing Mechanism	EXPANDO T
Standard	Integrated BLUMOTION	71B453T
Standard	Integrated spring	71T463T
Standard	Unsprung Hinge for TIP-ON	70T453T

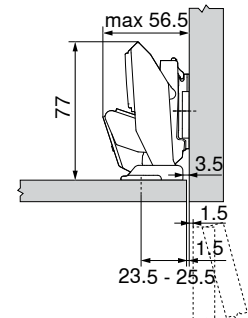
STANDARD APPLICATION



TWIN APPLICATION



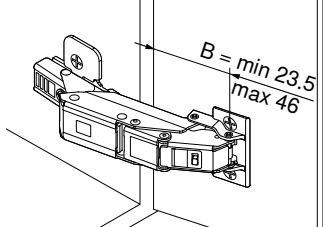
INSET APPLICATION



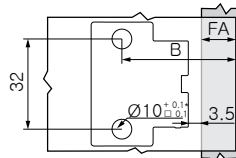
Mounting plate fixing position set back by door thickness + 1.5 mm

For Gap calculations on all applications see page 4.41

MACHINE OPTIONS

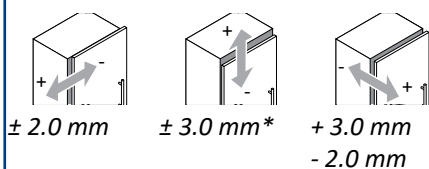


EXPANDO T



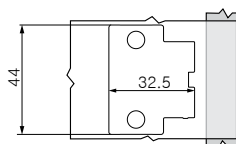
FA = Front Overlay / B = Fixing Position
B = FA + 27mm

ADJUSTMENTS



*See mounting plates

HINGE BOSS DIMENSIONS



Hinge Cover Caps

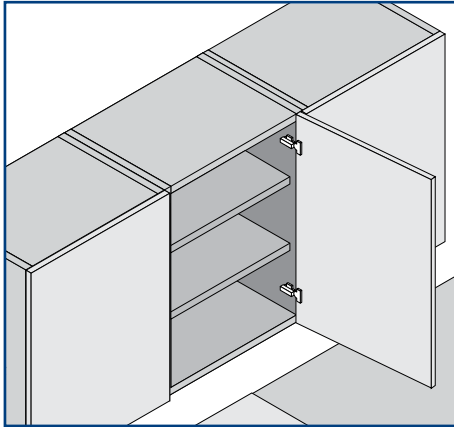
Hinge Boss	Art. No.
	70T4504
Hinge Arm	Art. No.
Standard Application	701563
Twin Application	701663
Inset Application	701663

Available with your company name and logo by special order

BLUM CLIP HINGE PROGRAM

CLIP top 107° Hinge

APPLICATION



DESCRIPTION

- All Metal concealed hinge
- 107° opening angle
- Spring loaded closing mechanism
- Tool free assembly and removal
- Convenient spiral-tech depth adjustment
- 3-dimensional adjustment (with suitable mounting plate)
- 4 fixing options to door
- Optional Clip On Blumotion

PRODUCT

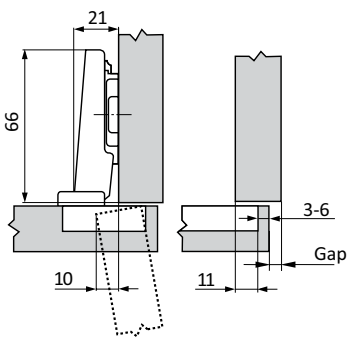


CLIP top 107° Hinge

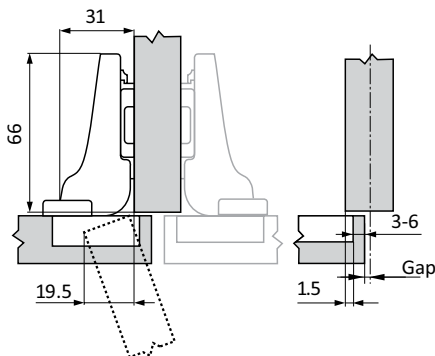
Application	Closing Mechanism	Screw On	Dowel In	EXPANDO	INSERTA	Clip On BLUMOTION
Standard	With Spring	75T155	75T158	75T158E		973A0500
Twin	With Spring					973A0600
Inset	Unsprung*		-	-		N/A

* For TIP-ON solutions for unsprung hinges, please see page 4.45

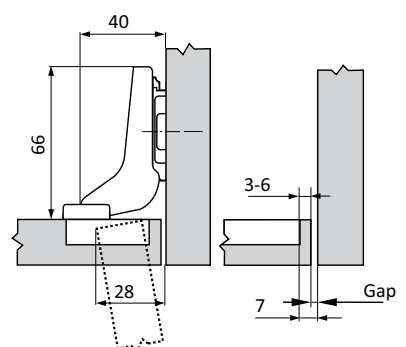
STANDARD APPLICATION



TWIN APPLICATION

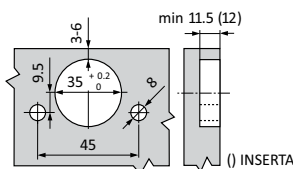


INSET APPLICATION

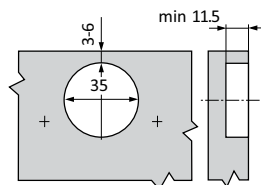


For Gap calculations see page 4.40

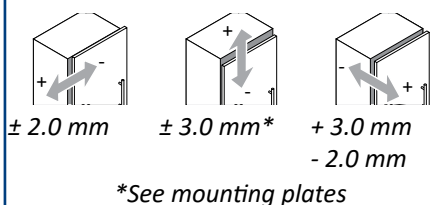
MACHINE OPTIONS



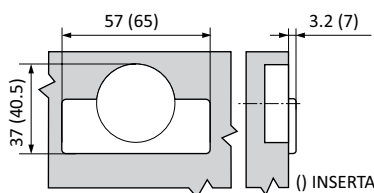
SCREW ON



ADJUSTMENTS



HINGE BOSS DIMENSIONS



Hinge Cover Caps

Hinge Boss

Art. No.



70T1504

Hinge Arm

Art. No.

Standard Application

701503

Twin Application

701663

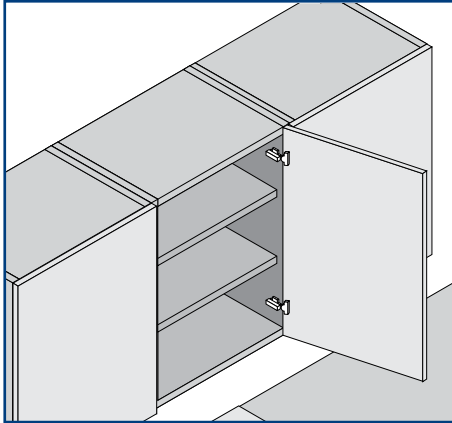
Inset Application

701663



Available with your company name and logo by special order

APPLICATION



DESCRIPTION

- All Metal concealed hinge
- 110° opening angle
- Spring loaded closing mechanism
- Tool free assembly and removal
- Convenient spiral-tech depth adjustment
- 3-dimensional adjustment with suitable mounting plate
- 4 fixing options to door
- Optional Clip On Blumotion

PRODUCT

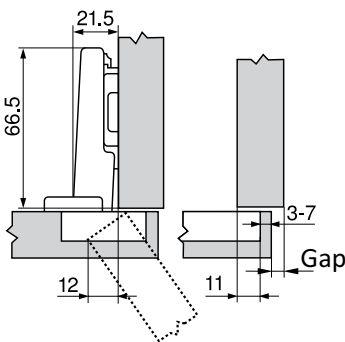


CLIP top 110° Hinge

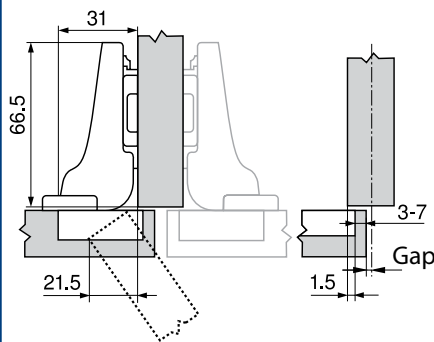
Application	Closing Mechanism	Screw On	Dowel In	EXPANDO	INSERTA	Clip On BLUMOTION
Standard	With Spring	71T355	71T358	71T358E	71T359	973A0500
Twin	With Spring			71T368E		973A0600
Inset	With Spring			71T378E		973A0700
Standard	Unsprung*	70T355TL				N/A

* For TIP-ON solutions for unsprung hinges, please see page 4.45

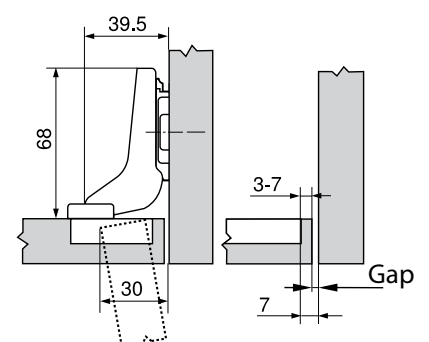
STANDARD APPLICATION



TWIN APPLICATION

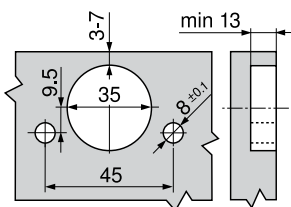


INSET APPLICATION

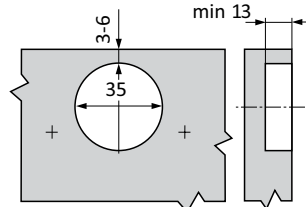


For Gap calculations on all applications see page 4.40

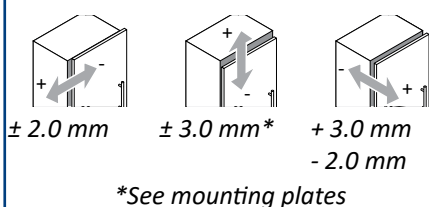
MACHINE OPTIONS



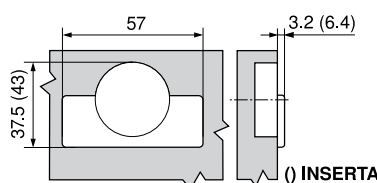
SCREW ON



ADJUSTMENTS



HINGE BOSS DIMENSIONS



Hinge Cover Caps

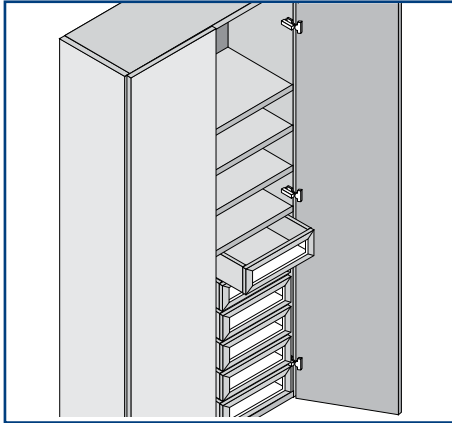
Hinge Boss	Art. No.
	70T3504
Hinge Arm	Art. No.
Standard Application	701503
Twin Application	701663
Inset Application	701663

Available with your company name and logo by special order

BLUM CLIP HINGE PROGRAM

CLIP top 155° Hinge

APPLICATION



DESCRIPTION

- All Metal concealed hinge
- 155° opening angle
- Zero Protrusion for cabinets with inner drawers or pull-outs
- Spring loaded closing mechanism
- Tool free assembly and removal
- Convenient spiral-tech depth adjustment
- 3-dimensional adjustment (with suitable mounting plate)
- 2 fixing options to door
- Optional Clip On Blumotion

PRODUCT

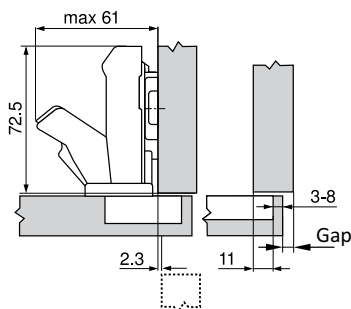


CLIP top 155° Hinge

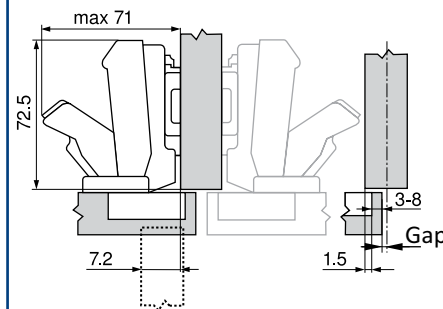
Application	Closing Mechanism	Screw On	Dowel In	EXPANDO	INSERTA
Standard	With Spring	71T755	71T753	71T758E	71T759
Twin	With Spring	71T760	-		71T764
Standard	Unsprung*	70T750	-		70T754

* For TIP-ON solutions for unsprung hinges, please see page 4.45

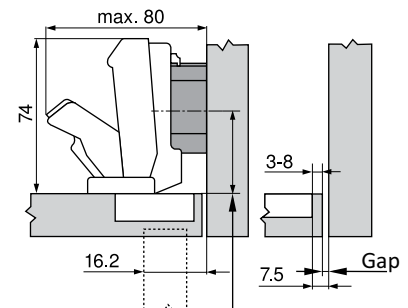
STANDARD APPLICATION



TWIN APPLICATION



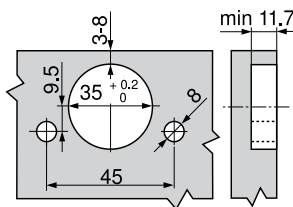
INSET APPLICATION



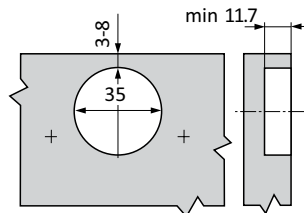
Use hinges for twin application with 9mm plate (see page 4.31)

For fronts up to 24 mm thick, no gap is required. A trial is recommended for door thicknesses greater than 24 mm (22 mm where a boss drilling distance of 7 mm or greater is used) or for an overlay application against a wall.

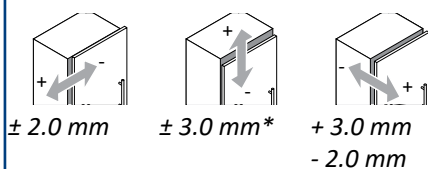
MACHINE OPTIONS



SCREW ON

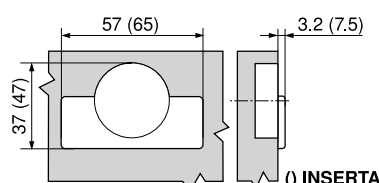


ADJUSTMENTS



*See mounting plates

HINGE BOSS DIMENSIONS



Hinge Cover Caps



Hinge Boss

Art. No.

N/A

Hinge Arm

Art. No.

Standard Application

70.7503

Twin Application

70.7503

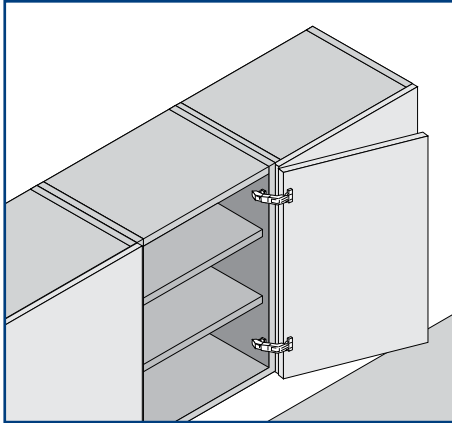
Inset Application

70.7503



Available with your company name and logo by special order

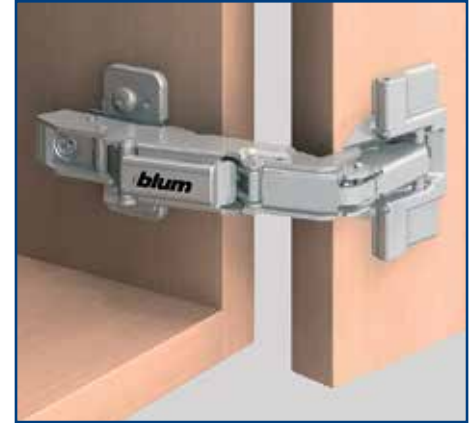
APPLICATION



DESCRIPTION

- All Metal concealed hinge
- 170° opening angle
- Spring loaded closing mechanism
- Tool free assembly and removal
- Convenient spiral-tech depth adjustment
- 3-dimensional adjustment with suitable mounting plate
- 4 fixing options to door
- Optional Clip On Blumotion

PRODUCT

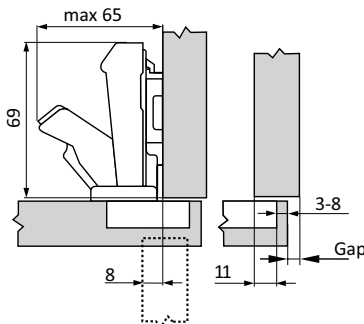


CLIP top 170° Hinge

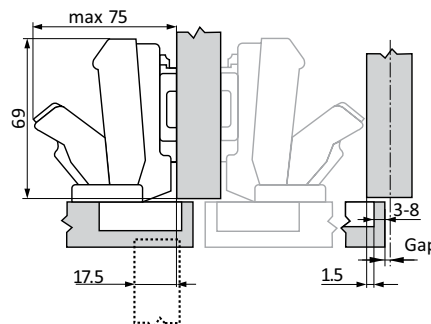
Application	Closing Mechanism	Screw On	Dowel In	EXPANDO	INSERTA	Clip On BLUMOTION
Standard	With Spring	71T655	71T658	71T658E	71T654	973A6000
Twin	With Spring	71T665		71T668E		973A6000
Standard	Unsprung*	70T655				N/A

* For TIP-ON solutions for unsprung hinges, please see page 4.45

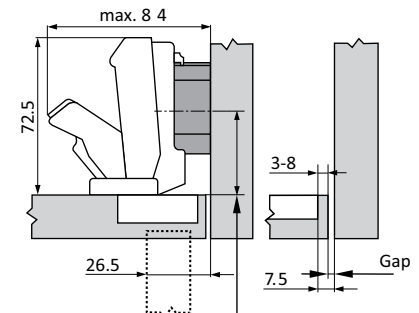
STANDARD APPLICATION



TWIN APPLICATION



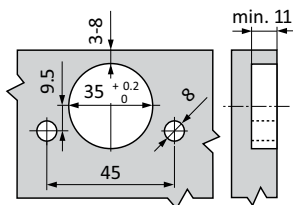
INSET APPLICATION



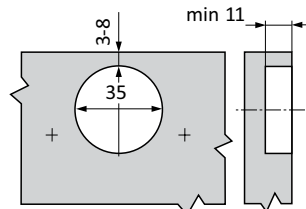
Use hinges for twin application with 9mm plate (see page 4.24)

For fronts up to 21 mm thick, no gap is required. A trial is recommended for door thicknesses greater than 22 mm.

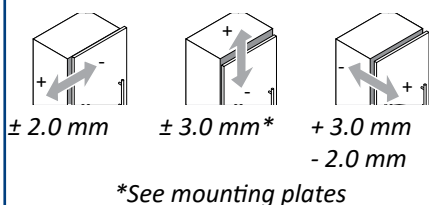
MACHINE OPTIONS



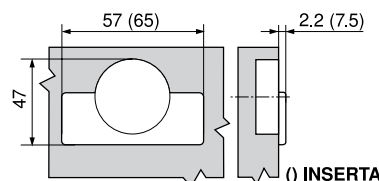
SCREW ON



ADJUSTMENTS



HINGE BOSS DIMENSIONS



Hinge Cover Caps

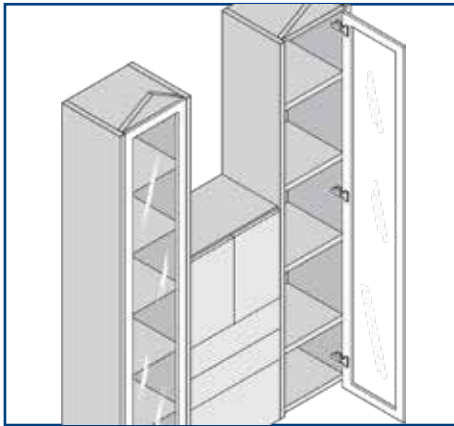
Hinge Boss	Art. No.
	N/A
Hinge Arm	Art. No.
Standard Application	806507
Twin Application	806507
Inset Application	806507

Available with your company name and logo by special order

BLUM CLIP HINGE PROGRAM

Clip Top 94° Mini Hinge

APPLICATION



DESCRIPTION

- Hinge for small doors and doors with narrow frames
- CLIP top with spring loaded closing mechanism
- 94° opening angle
- 3-dimensional front adjustment
- Convenient spiral-tech depth adjustment
- Tool-free door to cabinet assembly and removal

PRODUCT

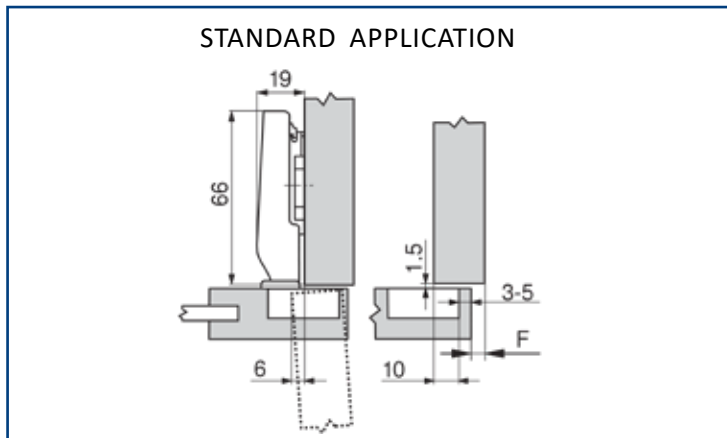


CLIP top 94° Mini Hinge

Application	Closing Mechanism	Screw On	BLUMOTION
Standard	With Spring	71T055	N/A

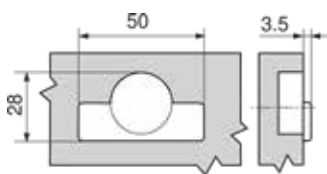
Hinge Systems

STANDARD APPLICATION

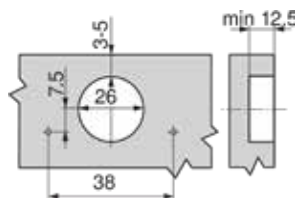


For Gap calculations on all applications see page 4.40


HINGE BOSS DIMENSIONS



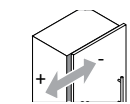
SCREW ON



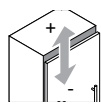
Hinge Cover Caps

Hinge Boss	Art. No.
	N/A
Hinge Arm	Art. No.
Standard Application	N/A

ADJUSTMENTS

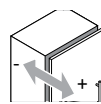


± 0.5 mm
- 3.5 mm



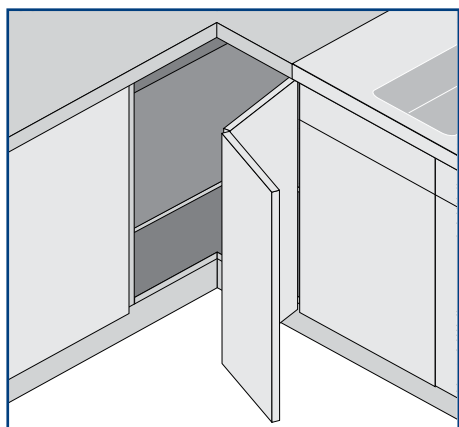
± 3.0 mm*

*See mounting plates



+ 3.0 mm
- 1.0 mm

APPLICATION



DESCRIPTION

- All Metal concealed hinge
- Special hinge for corner cabinets with bi-fold doors
- 60° opening angle
- For door thicknesses 15 - 23 mm
- Factory setting for door thickness 19 mm
- Tool free assembly and removal
- Convenient spiral-tech depth adjustment
- 3-dimensional adjustment with suitable mounting plate

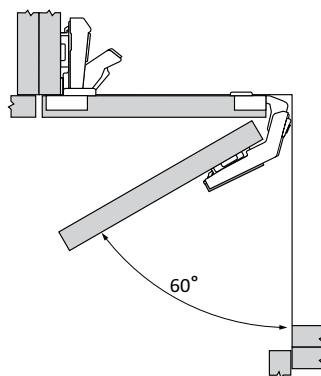
PRODUCT



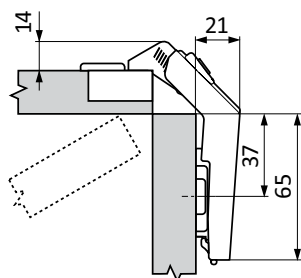
CLIP top Bi-Fold Hinge

Application	Closing Mechanism	Screw On	Blumotion Piston (see page 4.42)
Standard	With Spring	79T850	9701002

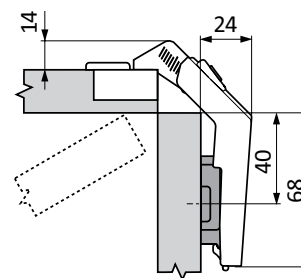
OPENING ANGLE



STANDARD APPLICATION

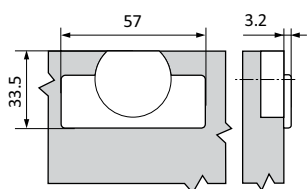


Application for 19 mm thick door with factory settings

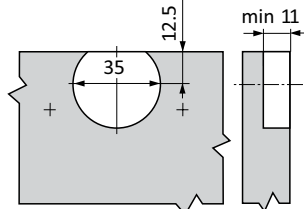


Application for 19 mm thick door with 3 mm elevated plate and factory setting



HINGE BOSS DIMENSIONS




SCREW ON

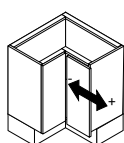


Hinge Cover Caps

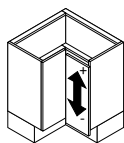
Hinge Boss	Art. No.
	N/A
Hinge Arm	Art. No.
Standard Application	701503 
Twin Application	-
Inset Application	-

 Available with your company name and logo by special order

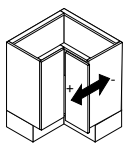
ADJUSTMENTS



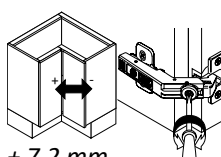
+ 3.0 mm
- 2.0 mm



± 3.0 mm*



± 2.0 mm



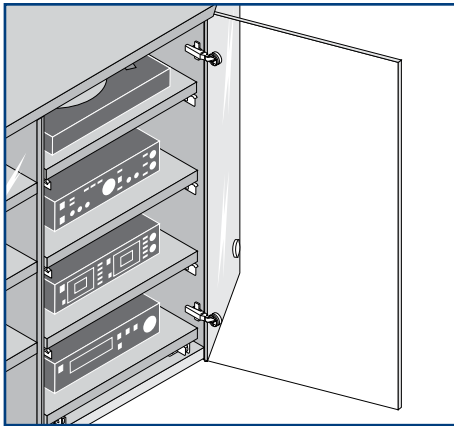
+ 7.2 mm
- 4.2 mm

*See mounting plates

BLUM CLIP HINGE PROGRAM

CLIP top Glass Door Hinge

APPLICATION



DESCRIPTION

- Glass door hinge
- 94° opening angle
- Tool free door to cabinet assembly and removal
- Convenient spiral-tech depth adjustment
- 3-dimensional adjustment (with suitable mounting plate)
- For glass thickness 4.5 to 7 mm
- Boss fixing screws enclosed

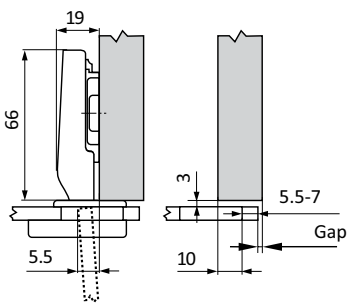
PRODUCT



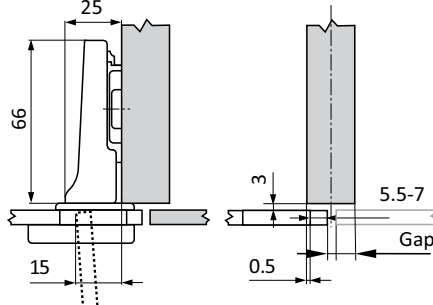
CLIP top Glass Door Hinge

Application	Closing Mechanism	Screw On	Round Cap Chrome	Blumotion Piston (see page 4.42)
Standard	With Spring	75T410	84414C	9701002
Twin	With Spring	75T420	84414C	970A1002
Inset	With Spring	75T430	84414C	970A1002

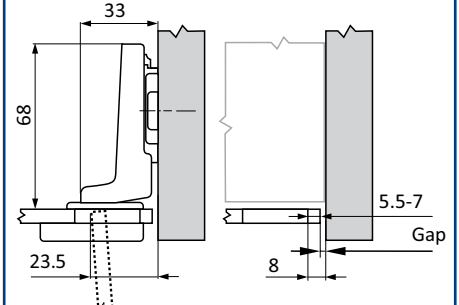
STANDARD APPLICATION



TWIN APPLICATION

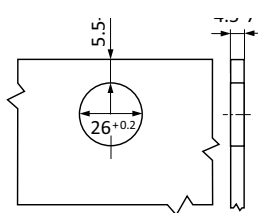


INSET APPLICATION

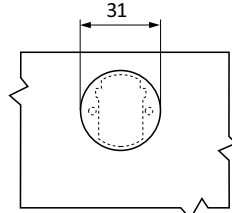


For glass thicknesses from 4.5 to 7 mm no gap is required.

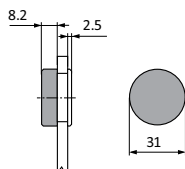
SCREW ON



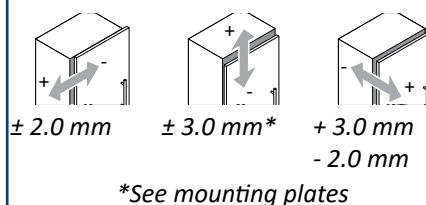
HINGE BOSS DIMENSIONS



COVER CAP DIMENSIONS



ADJUSTMENTS

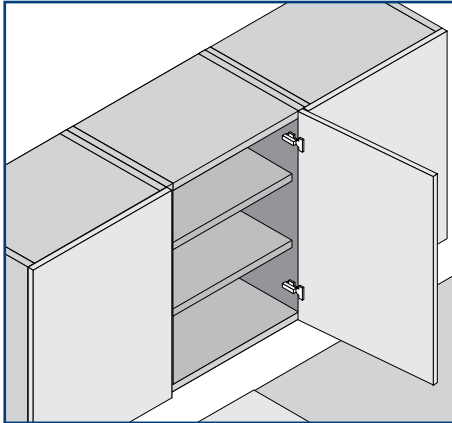


Hinge Cover Caps

Hinge Boss	Art. No.
	84414C
Hinge Arm	Art. No.
Standard Application	701563
Twin Application	701563
Inset Application	701563

Available with your company name and logo by special order

APPLICATION



DESCRIPTION

- All Metal concealed hinge
- 100° opening angle
- Spring loaded closing mechanism
- Tool free assembly and removal
- 3-dimensional adjustment with suitable mounting plate
- 4 fixing options to door
- Optional Clip On Blumotion

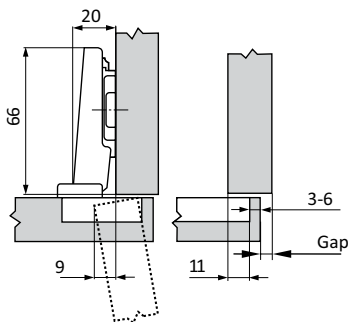
PRODUCT



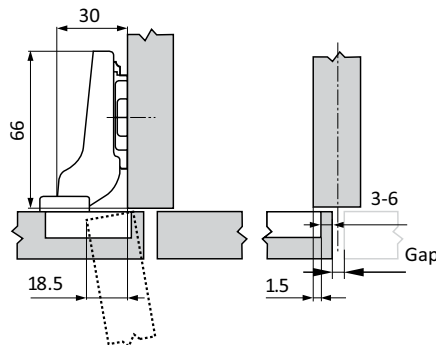
CLIP 100° Hinge

Application	Closing Mechanism	Screw On	Dowel In	EXPANDO	INSERTA	Clip On BLUMOTION
Standard	With Spring	71M255	71M258	71M258E	71M259	973A0500
Twin	With Spring					973A0600
Standard	Unsprung*					N/A

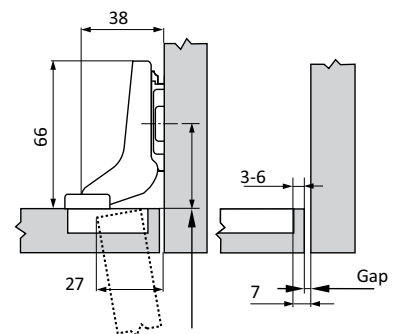
STANDARD APPLICATION



TWIN APPLICATION

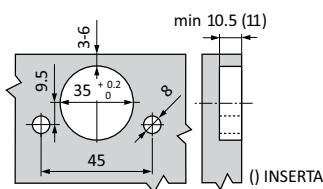


INSET APPLICATION

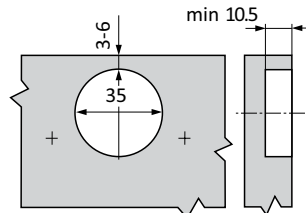


For Gap calculations see page 4.40

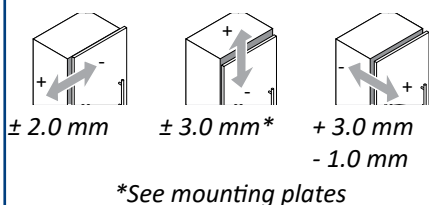
MACHINE OPTIONS



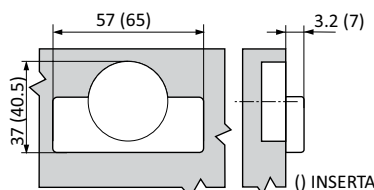
SCREW ON



ADJUSTMENTS



HINGE BOSS DIMENSIONS



Hinge Cover Caps

Hinge Boss	Art. No.
	N/A
Hinge Arm	Art. No.
Standard Application	90M2503
Twin Application	94M3603
Inset Application	94M3603

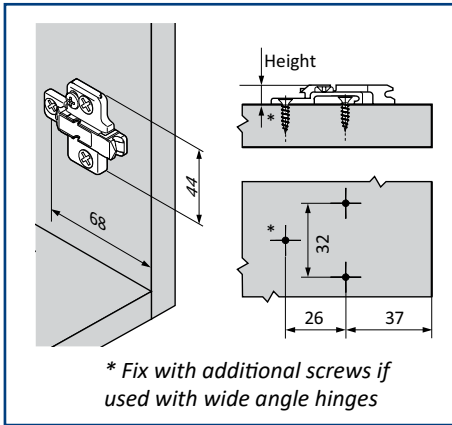
Available with your company name and logo by special order

CLIP Hinge Plates

APPLICATION


DESCRIPTION

PRODUCT

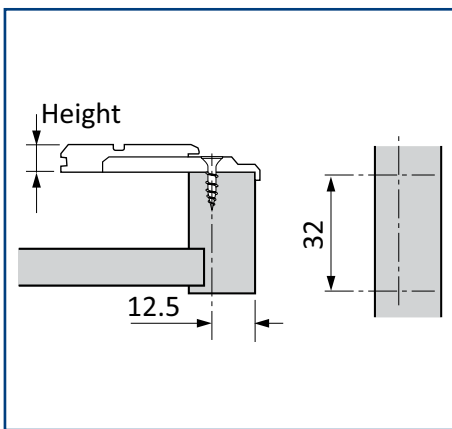


- Material: Zinc die-cast, nickel plated
- Fixing with chipboard screws $\varnothing 3.5$ and $\varnothing 4.0$ mm
- Height adjustment ± 2.0 mm
- Recommended screw length 17 mm

Screw On Die-Cast

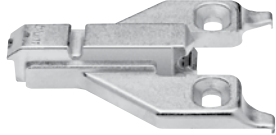


Height	Spacing	Art. No.
8.5 mm	0 mm	175H710
11.5 mm	3 mm	175H713
17.5 mm	9 mm	175H719
26.5 mm	18 mm	175H71922

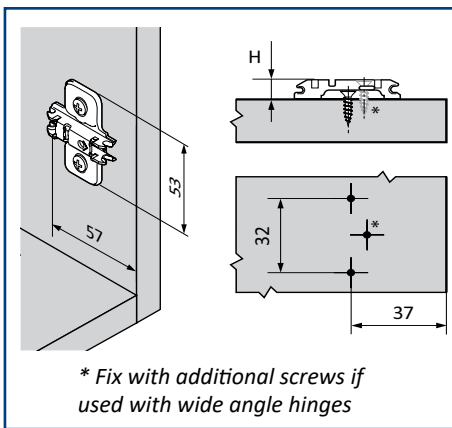


- Height Adjustment ± 3.0 mm
- Material: Zinc die-cast, nickel plated
- Ideally suited for face frame applications

Screw On For Face Frame



Height	Spacing	Art. No.
8.5 mm	0 mm	175L660

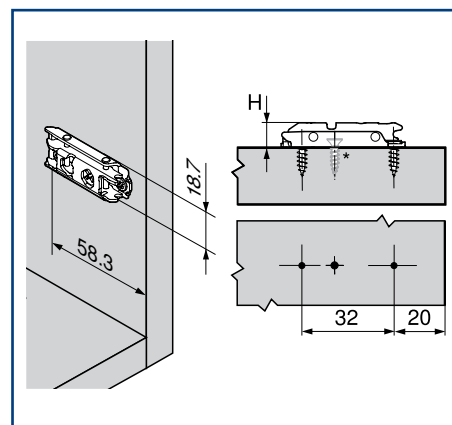


- Height Adjustment ± 3.0 mm
- Material: Steel, nickel plated
- Fixing with chipboard screws $\varnothing 3.5$ and $\varnothing 4.0$ mm
- Recommended screw length 17 mm

Screw On Pressed Steel



Height	Spacing	Art. No.
8.5 mm	0 mm	173L610
11.5 mm	3 mm	173L613



- Cam Height Adjustment ± 2.0 mm
- Material: Steel, nickel plated
- Fixing with chipboard screws $\varnothing 3.5$ mm
- Recommended screw length 17 mm

Screw On Horizontal Cam Adjust

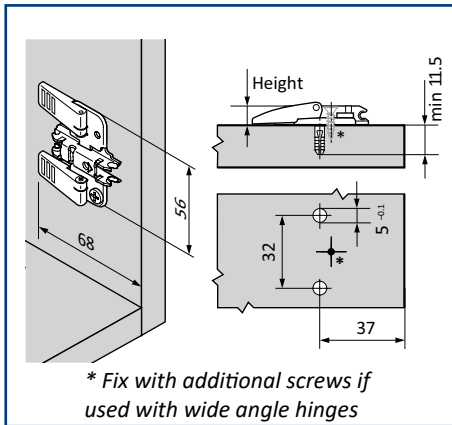


Height	Spacing	Art. No.
8.5 mm	0 mm	175H310

APPLICATION

DESCRIPTION

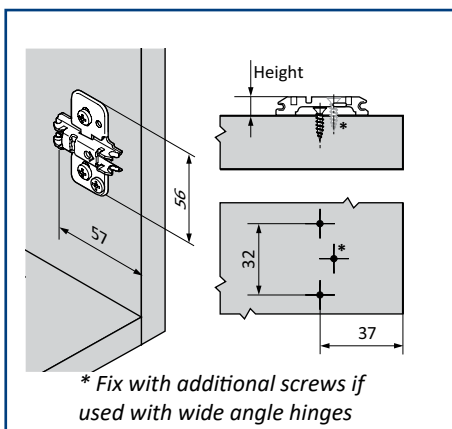
PRODUCT



- Tool Free Assembly
- With Cam Height Adjustment ± 2.0 mm
- Material: Zinc Die Cast and Steel, nickel plated
- With "self anchoring" feature

INSERTA Cam Adjustable

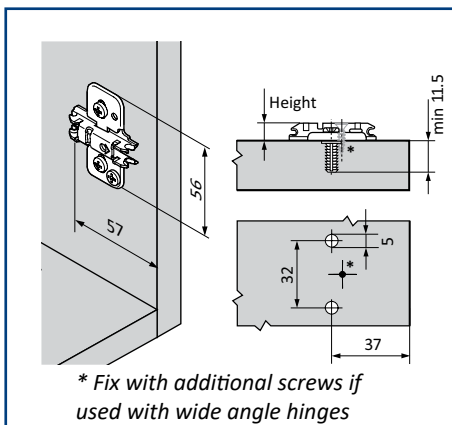
Height	Spacing	Art. No.
8.5 mm	0 mm	174H710I
11.5 mm	3 mm	174H713I



- With Cam Height Adjustment ± 2.0 mm
- Material: Steel, nickel plated
- Fixing with chipboard screws $\varnothing 3.5$ and $\varnothing 4.0$ mm

Screw On Cam Adjustable

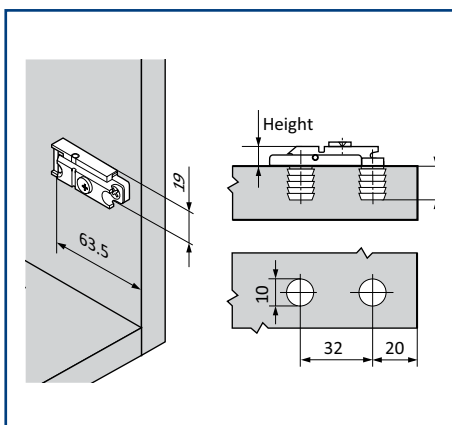
Height	Spacing	Art. No.
8.5 mm	0 mm	173H710
11.5 mm	3 mm	173H713



- With Cam Height Adjustment ± 2.0 mm
- Material: Steel, nickel plated
- Fixing with pre-mounted special screws with EXPANDO dowels

Expando Cam Adjustable

Height	Spacing	Art. No.
8.5 mm	0 mm	174H710E
11.5 mm	3 mm	174H713E



- With Cam Height Adjustment ± 2.0 mm
- Material: Zinc die-cast, nickel plated
- Knock in assembly with pre-fixed dowels
- Blum Machine Insertion ram 50 Art No. BMZM0040
- Manual Knock in Jig Art No. B656100

Dowel in Cam Adjustable

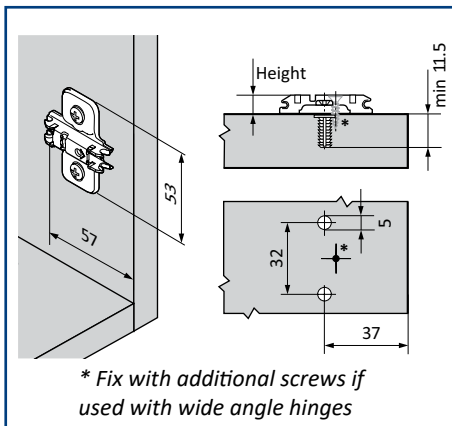
Height	Spacing	Art. No.
8.5 mm	0 mm	177H510

CLIP Hinge Plates

APPLICATION

DESCRIPTION

PRODUCT

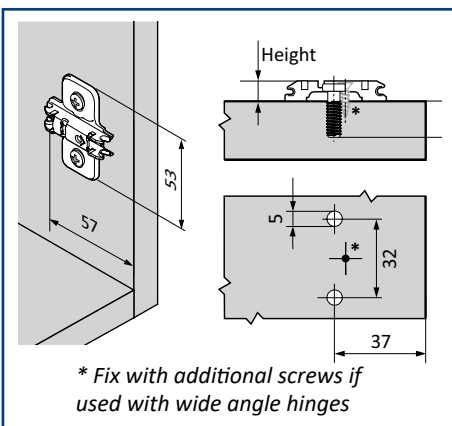


- Material: Steel, nickel plated
- With Height Adjustment: ± 2.0 mm
- Fixing with pre-mounted special screws with EXPANDO dowels

EXPANDO Pressed Steel



Height	Spacing	Art. No.
8.5 mm	0 mm	174E610
11.5 mm	3 mm	174E613

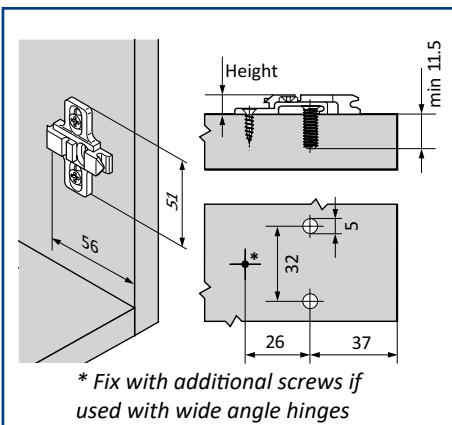


- Material: Steel, nickel plated
- With Height Adjustment: ± 3.0 mm
- Fixing with pre-mounted system screws $\varnothing 6$ mm

System Screw Pressed Steel



Height	Spacing	Art. No.
8.5 mm	0 mm	173L810

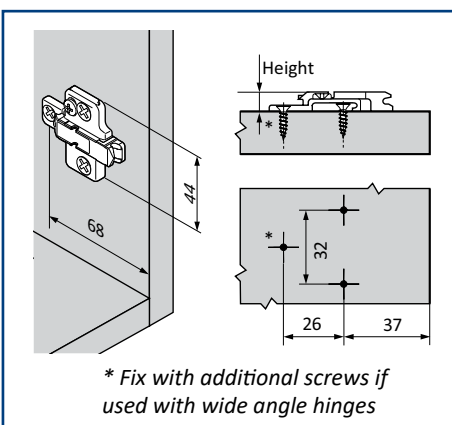


- Material: Zinc die-cast, nickel plated
- Fixing with System screws $\varnothing 6$ mm
- Height adjustment ± 3.0 mm

System Screw Die Cast



Height	Spacing	Art. No.
8.5 mm	0 mm	175L810



- Material: Zinc die-cast, nickel plated
- Fixing with system screws $\varnothing 6 \times 14.5$ mm
- Height adjustment ± 2.0 mm

Die-Cast System Screw

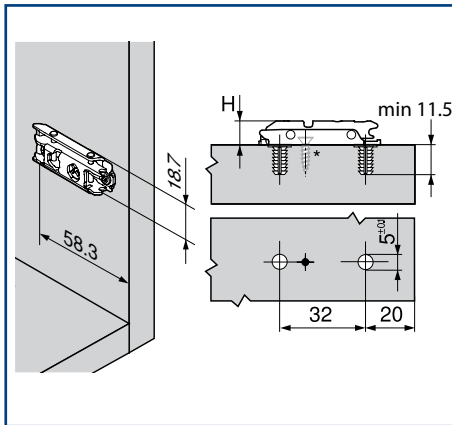


Height	Spacing	Art. No.
8.5 mm	0 mm	175H910
11.5 mm	3 mm	175H913
17.5 mm	9 mm	175H919
26.5 mm	18 mm	175H91922

APPLICATION

DESCRIPTION

PRODUCT

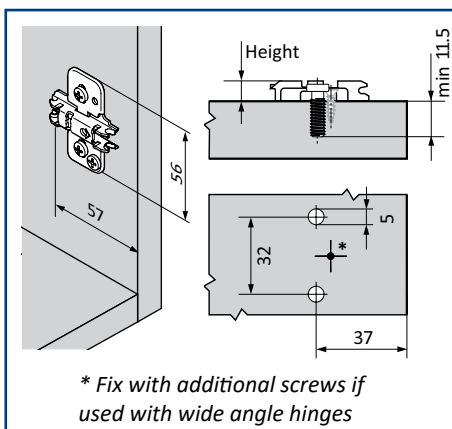


- Material: Zinc die-cast, nickel plated
- With Cam Height Adjustment: ± 2.0 mm
- Fixing with pre-mounted special screws with EXPANDO dowels

EXPANDO Horizontal Cam Adjustable



Height	Spacing	Art. No.
8.5 mm	0 mm	177H310E

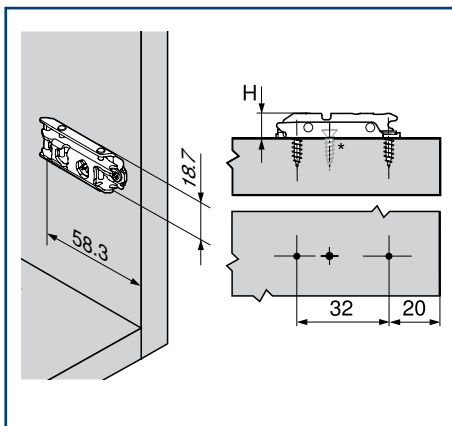


- Material: Steel, nickel plated
- With Cam Height Adjustment: ± 2.0 mm
- Fixing with pre-mounted special screws with EXPANDO dowels

EXPANDO Cam Adjustment ONYX



Height	Spacing	Art. No.
8.5 mm	0 mm	174H710EB

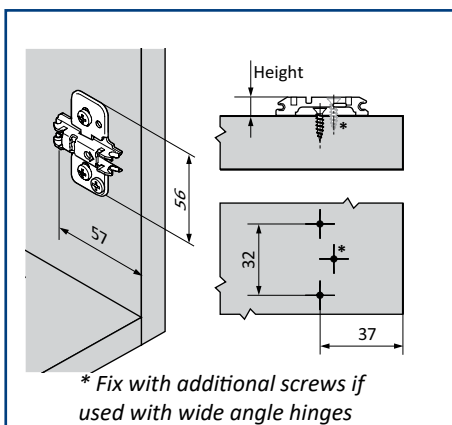


- Cam Height Adjustment ± 2.0 mm
- Material: Zinc die-cast, nickel plated
- Fixing with chipboard screws $\varnothing 3.5$ mm
- Recommended screw length 17 mm

Screw On Horizontal Cam Adj ONYX



Height	Spacing	Art. No.
8.5 mm	0 mm	175H310B

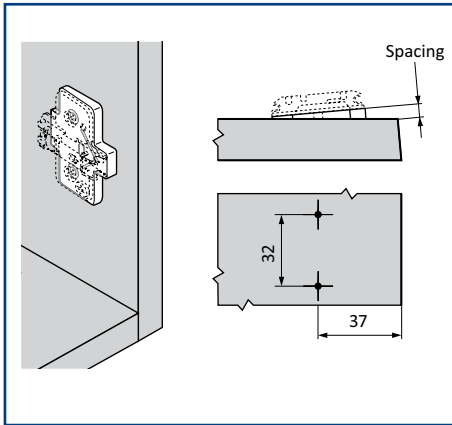


- With Cam Height Adjustment ± 2.0 mm
- Material: Steel, nickel plated
- Fixing with chipboard screws $\varnothing 3.5$ and $\varnothing 4.0$ mm

Screw On Cam Adjustable ONYX

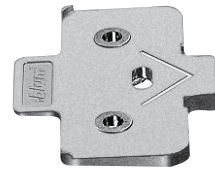


Height	Spacing	Art. No.
8.5 mm	0 mm	173H710B

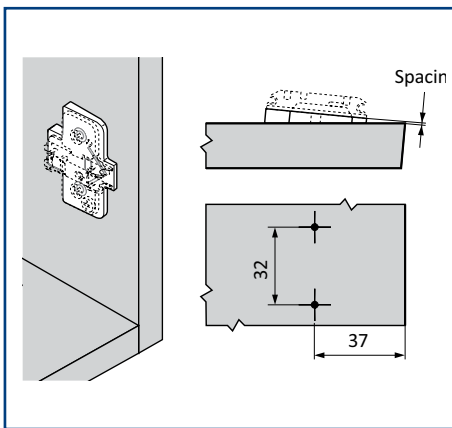


- Material: Zinc die-cast, nickel plated
- For use with;
 - 173H71X - Page 4.29
 - 175H71X - Page 4.28
 - 175H91X - Page 4.30
- Fixing with chipboard screws $\varnothing 3.5$ and $\varnothing 4.0$ mm

-5° Acute Angled Spacer



Spacing	Art. No.
6.0 mm	171A5500



- Material: Zinc die-cast, nickel plated
- For use with;
 - 173H71X - Page 4.29
 - 175H71X - Page 4.28
 - 175H91X - Page 4.30
- Fixing with chipboard screws $\varnothing 3.5$ and $\varnothing 4.0$ mm

+5° Obtuse Angled Spacer



Spacing	Art. No.
0.8 mm	171A5010
3.0 mm	171A5040
6.0 mm	171A5070

- Material: Nylon
- Drilling diameter: 8mm

Split Dowel (EXPANDO)



Art. No.
800582E

- Material: Steel
- $\varnothing 4.8$ mm
- Nominal Length 13mm

Screw For Expando Dowel



Art. No.
6211300



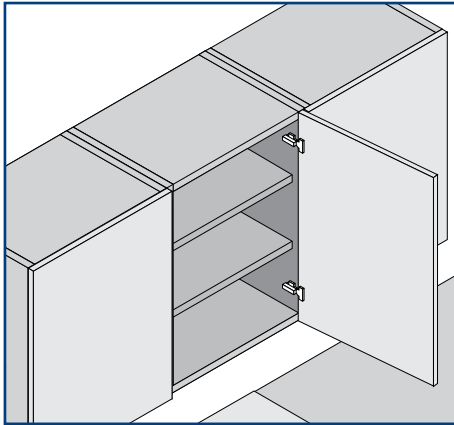
MODUL's combined slide-on and screw-fix feature has proven itself over the years. The functional hinge is very popular with furniture makers; its classic design and reliable function last a furniture lifetime.



BLUM MODUL HINGE Programme

MODUL 100° Hinge

APPLICATION



DESCRIPTION

- All Metal concealed hinge
- 100° opening angle
- Spring loaded closing mechanism
- Slide on hinge arm
- 3-dimensional adjustment (with suitable mounting plate)
- 2 fixing options to door
- Pre-mounted Hinge and plate option
- Optional Piston Blumotion

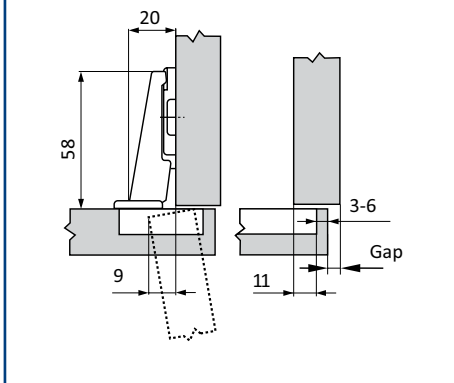
PRODUCT



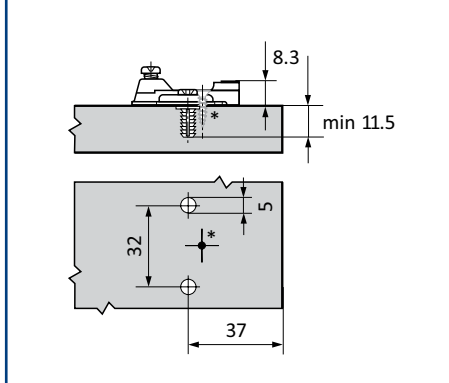
MODUL 100° Hinge

Application	Closing Mechanism	Screw On	EXPANDO with Pre-Mounted EXPANDO Plate
Standard	With Spring	91M255	91M258EE0

STANDARD APPLICATION

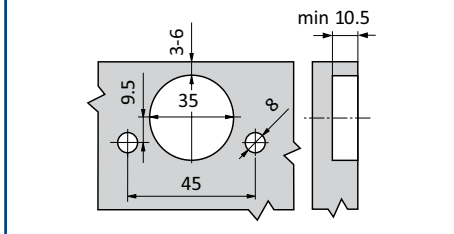


PREMOUNTED EXPANDO PLATE

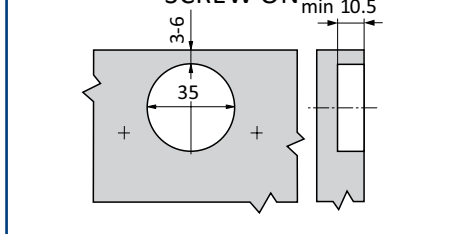


For Gap calculations see page 4.39

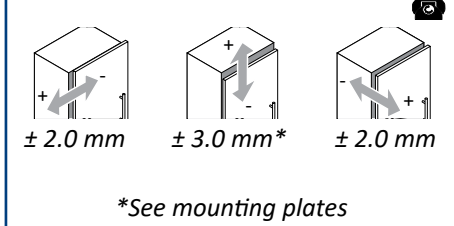
MACHINE OPTIONS



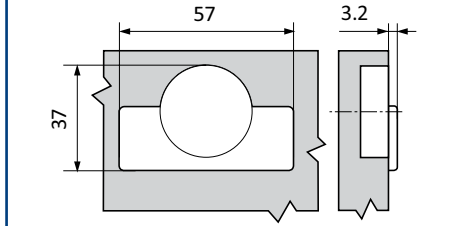
SCREW ON



ADJUSTMENTS

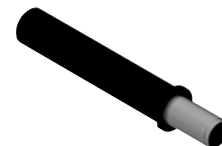


HINGE BOSS DIMENSIONS



Accessories

BLUMOTION Piston	Art. No.
	9701002
	See page 4.44
Hinge Arm CoverCap	Art. No.
Standard Application	90M2503
	Available with your company name and logo by special order



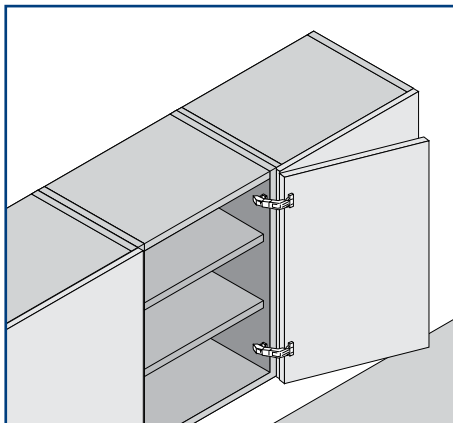
9701002
See page 4.44

Hinge Arm CoverCap Art. No.
Standard Application 90M2503



Available with your company name and logo by special order

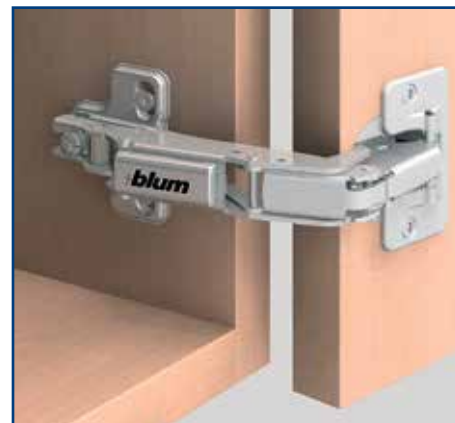
APPLICATION




DESCRIPTION

- All Metal concealed hinge
- 170° opening angle
- Spring loaded closing mechanism
- Slide on hinge arm
- 3-dimensional adjustment (with suitable mounting plate)
- 3 fixing options to door
- Pre-mounted EXPANDO option
- Optional Piston Blumotion

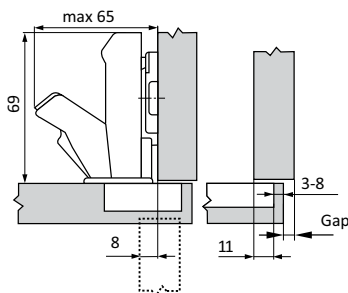
PRODUCT



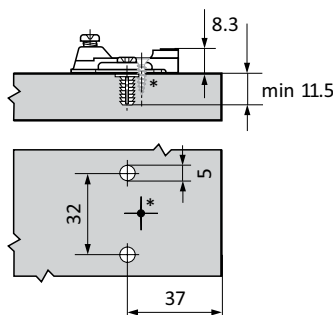
MODUL 170° Hinge

Application	Closing Mechanism	Screw On	EXPANDO with Pre-Mounted EXPANDO Plate
Standard	With Spring	91A655	91A658EE0 

STANDARD APPLICATION

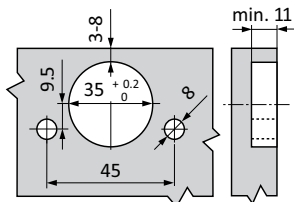


PREMOUNTED EXPANDO PLATE

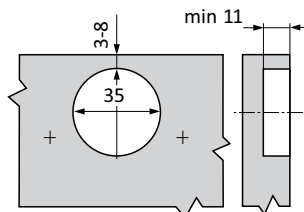


For fronts up to 21 mm thick, no gap is required. A trial is recommended for door thicknesses greater than 22 mm.

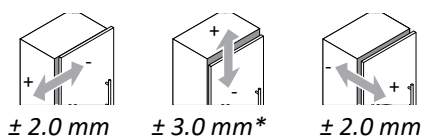
MACHINE OPTIONS



SCREW ON

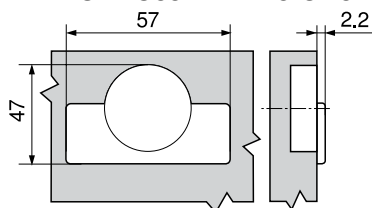


ADJUSTMENTS



*See mounting plates

HINGE BOSS DIMENSIONS



Accessories

BLUMOTION Piston	Art. No.
------------------	----------



See page 4.44

Hinge Arm CoverCap	Art. No.
--------------------	----------

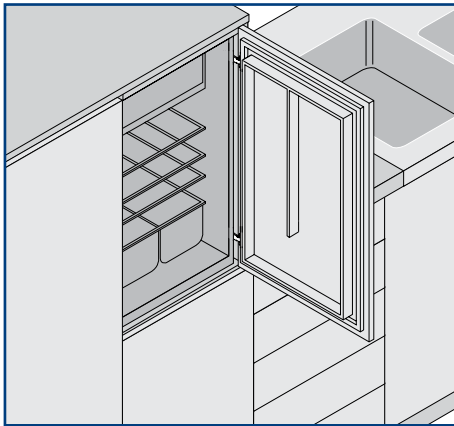
Standard Application	90M2503
----------------------	---------



Available with your company name and logo by special order

MODUL 95° Refrigerator Hinge

APPLICATION



DESCRIPTION

- All Metal concealed hinge
- 95° opening angle
- Spring loaded closing mechanism
- Slide On assembly
- 3-dimensional adjustment with suitable mounting plate
- Low profile for easier installation
- Easy access to all adjustments even after fridge is fitted

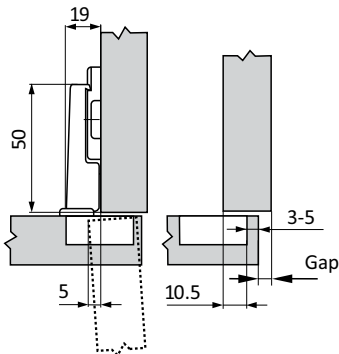
PRODUCT



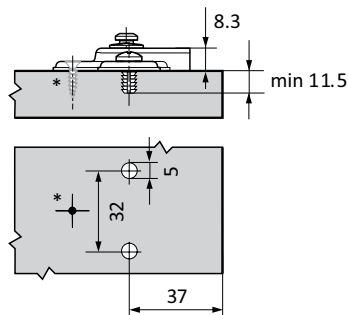
Modul 95° Refrigerator Hinge

Application	Closing Mechanism	Screw On	Dowel In
Standard Hinge	With Spring	91K955	91K958
Special Hinge Plate	N/A	194K610E	

STANDARD APPLICATION

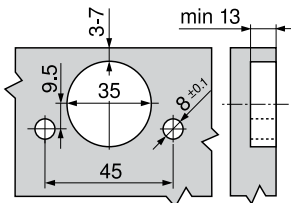


EXPANDO PLATE

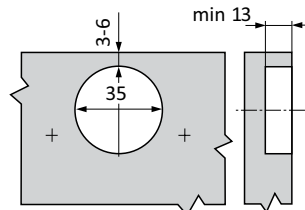


For Gap calculations see page 4.41

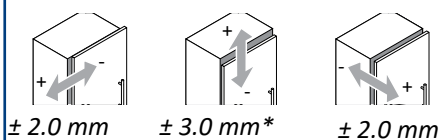
MACHINE OPTIONS



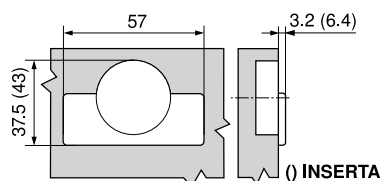
SCREW ON



ADJUSTMENTS



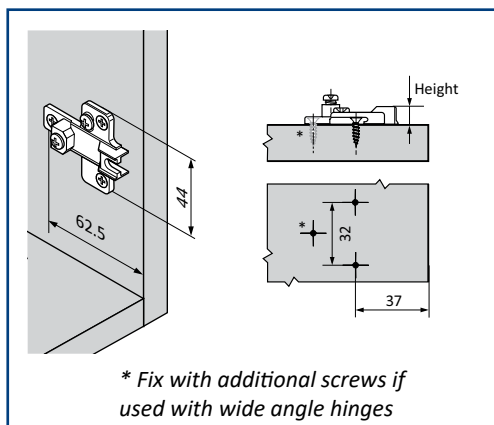
HINGE BOSS DIMENSIONS



APPLICATION

DESCRIPTION

PRODUCT

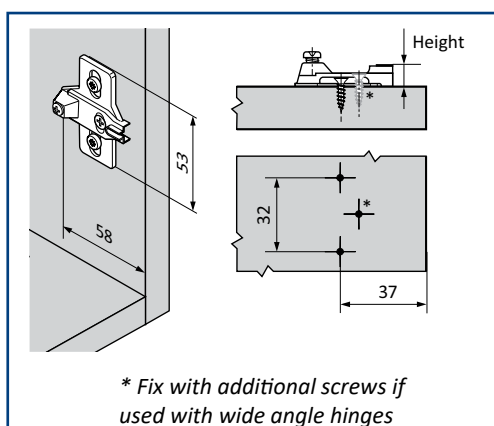


- Material: Zinc die-cast, nickel plated
- Fixing with chipboard screws $\varnothing 3.5$ and $\varnothing 4.0$ mm
- Height adjustment ± 2.0 mm
- Recommended screw length 17 mm

Screw On Die-Cast



Height	Spacing	Art. No.
9.2 mm	0 mm	195H710
11.3mm	3 mm	195H713

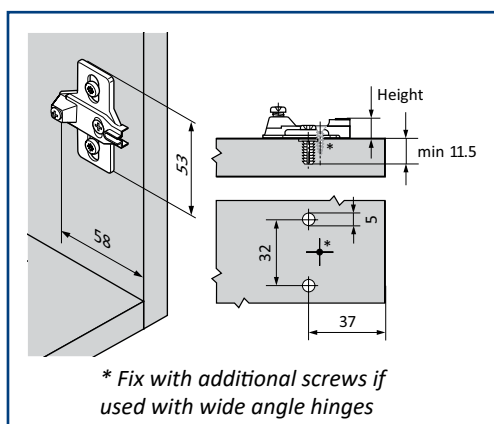


- Height Adjustment ± 3.0 mm
- Material: Steel, nickel plated
- Fixing with chipboard screws $\varnothing 3.5$ and $\varnothing 4.0$ mm
- Recommended screw length 17 mm

Screw On Pressed Steel



Height	Spacing	Art. No.
8.3 mm	0 mm	193L610



- Material: Steel, nickel plated
- With Height Adjustment: ± 2.0 mm
- Fixing with pre-mounted special screws with EXPANDO dowels

EXPANDO Pressed Steel



Height	Spacing	Art. No.
8.3 mm	0 mm	194E610

Gap Calculations - Standard Hinges

Minimum GAP for fronts with CLIP top BLUMOTION 110°, CLIP top 110°

Drilling Distance	Thickness of door											
	16	18	19	20	21	22	23	24	25	26	28	30
3	0.5	0.8	1.0	1.2	1.5	1.8	2.2	2.7	3.5	4.3	In these cases a trial is recommended	
4	0.5	0.8	1.0	1.2	1.4	1.7	2.0	2.5	3.1	3.8		
5	0.5	0.8	0.9	1.2	1.4	1.7	2.0	2.4	2.9	3.4		
6	0.5	0.8	0.9	1.2	1.3	1.6	1.9	2.3	2.7	3.2		
7	0.5	0.8	0.9	1.1	1.3	1.6	1.9	2.2	2.6	3.0		
Additional for +2 mm side adjustment												
	+0.2	+0.4	+0.4	+0.5	+0.5	+0.5	+0.5	+0.5	+0.5	+0.5		

Minimum GAP for fronts with CLIP top 120°

Drilling Distance	Thickness of door												
	16	18	19	20	21	22	24	26	28	30	31	32	
3	0.9	1.4	1.7	2.0	2.4	2.7	4.0	In these cases a trial is recommended					
4	0.9	1.4	1.6	1.9	2.4	2.6	3.7						
5	0.9	1.4	1.6	1.9	2.2	2.5	3.6						
6	0.9	1.3	1.5	1.8	2.1	2.4	3.4						
Additional for +2 mm side adjustment													
	+0.3	+0.4	+0.5	+0.5	+0.5	+0.5	+0.5						

Minimum GAP for fronts with CLIP top 107° & MODUL 107°

Drilling Distance	Thickness of door											
	16	18	19	20	21	22	24	26	28	30	31	32
3	0.5	1.0	1.3	1.6	2.1	2.7	4.3	In these cases a trial is recommended				
4	0.5	0.9	1.2	1.5	2.0	2.5	3.9					
5	0.5	0.9	1.2	1.4	1.8	2.3	3.6					
6	0.5	0.8	1.1	1.4	1.7	2.2	3.3					
Additional for +2 mm side adjustment												
	+0.1	+0.2	+0.2	+0.3	+0.3	+0.3	+0.3					

Minimum GAP for fronts with CLIP 100° & MODUL 100°

Drilling Distance	Thickness of door											
	16	18	19	20	21	22	24	26	28	30	31	32
3	0.3	0.5	0.7	1.0	1.3	1.6	3.3	In these cases a trial is recommended				
4	0.3	0.5	0.7	1.0	1.2	1.6	3.2					
5	0.3	0.5	0.7	0.9	1.2	1.5	2.6					
6	0.3	0.5	0.7	0.9	1.1	1.4	2.4					
Additional for +2 mm side adjustment												
	+0.1	+0.3	+0.3	+0.4	+0.4	+0.5	+0.4					

Gap Calculations - Special Application Hinges

Minimum GAP for fronts with CLIP top BLUMOTION Blind Corner Hinge

Drilling Distance	Thickness of door											
	16	18	19	20	22	24	26	28	29	30	31	32
3	0.2	0.3	0.4	0.5	0.8	1.0	1.5	1.9	In these cases a trial			
4	0.2	0.3	0.4	0.5	0.7	1.0	1.4	1.8	is recommended			
5	0.2	0.3	0.4	0.5	0.7	1.0	1.4	1.8				
6	0.2	0.3	0.4	0.5	0.7	1.0	1.4	1.8				
7	0.2	0.3	0.4	0.5	0.7	0.9	1.4	1.7				

Minimum GAP for fronts with CLIP top BLUMOTION Profile Door Hinge

Drilling Distance	Thickness of door											
	16	18	19	20	22	24	26	28	29	30	31	32
3	0.2	0.3	0.4	0.5	0.8	1.0	1.5	1.9	2.8	3.6	4.5	5.4
4	0.2	0.3	0.4	0.5	0.7	1.0	1.4	1.8	2.5	3.1	4.0	4.8
5	0.2	0.3	0.4	0.5	0.7	1.0	1.4	1.8	2.3	2.7	3.5	4.3
6	0.2	0.3	0.4	0.5	0.7	1.0	1.4	1.8	2.2	2.5	3.2	3.8
7	0.2	0.3	0.4	0.5	0.7	0.9	1.4	1.7	2.1	2.4	3.0	3.5
Additional for + 2 mm side adjustment												
	+ 0.1	+ 0.2	+ 0.2	+ 0.2	+ 0.3	+ 0.4	+ 0.4	+ 0.5	+ 0.4	+ 0.4	+ 0.4	+ 0.3

Minimum GAP for fronts with MODUL 95° Refrigerator Hinge

Drilling Distance	Thickness of door											
	16	18	19	20	22	24	26	28	30	31	32	
3	1.1	2.2	3.0	3.8	5.5	In these cases a trial is recommended						
4	1.1	2.0	2.7	3.5	5.0							
5	1.1	1.8	2.4	3.0	4.6							
-												

Fixing position of hinge boss on CLIP top BLUMOTION Narrow Door Hinge

Mounting Plate Spacing	Front Overlay																	
	-3.5	-3	-2.5	-2	-1.5	-1	2.5	4	5.5	7	8.5	10	11.5	13	14.5	16	17.5	19
0	23.5	24	24.5	25	25.5	26	29.5	31	32.5	34	35.5	37	38.5	40	41.5	43	44.5	46
3	26.5	37	27.5	28	28.5	29	32.5	34	35.5	37	38.5	40	41.5	43	44.5	46		
6	29.5	30	30.5	31	31.5	32	35.5	37	38.5	40	41.5	43	44.5	46				
9	32.5	33	33.5	34	34.5	35	38.5	40	41.5	43	44.5	46						

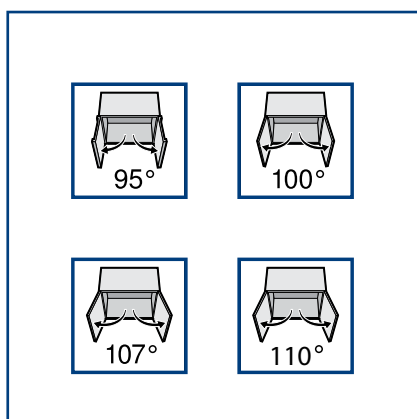
The minimum gap is always 0 mm

BLUMOTION for Doors: Silent, effortless closing.

BLUMOTION is the soft-close system developed by Blum. Thanks to BLUMOTION, furniture closes softly and effortlessly no matter how hard you slam fronts, doors or pull-outs or how heavy they are. The soft-close feature is integrated into lift systems, hinges, box and runner systems, however it can also be simply added to hinges without integrated soft close with clip-on BLUMOTION.



APPLICATION



DESCRIPTION

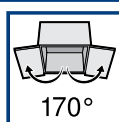
- For Standard CLIP Top Hinges suitable for,
- CLIP top 107° and 110°
- CLIP 100°
- CLIP top Profile Door 95°

PRODUCT

For CLIP / CLIP Top Hinge



Arm	Art. No.
Straight	973A0500
Full Cranked	973A0700



- For Straight hinge arm suitable for
- CLIP Top 170° Wide Angle

For 170° CLIP Top Hinge



Arm	Art. No.
Straight or Half Cranked	973A6000

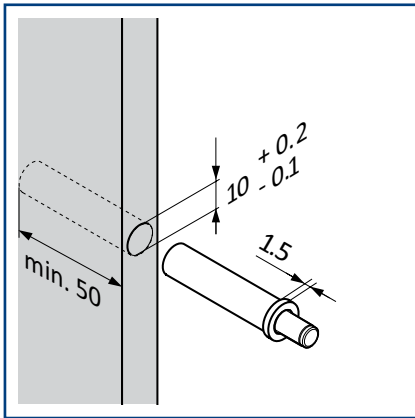
BLUMOTION FOR DOORS

BLUMOTION Handle Side

BLUMOTION Piston is designed for location on the handle side of the cabinet. The hole for BLUMOTION is drilled into the gable or attached using an adaptor plate.



APPLICATION

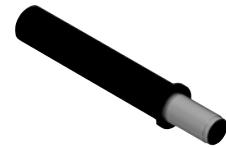


DESCRIPTION

- For Standard straight hinge arm suitable for
- CLIP top 107°, 110°, 120°, 170°
- CLIP 100°
- CLIP top Profile Door 95°
- CLIP top Glass Door

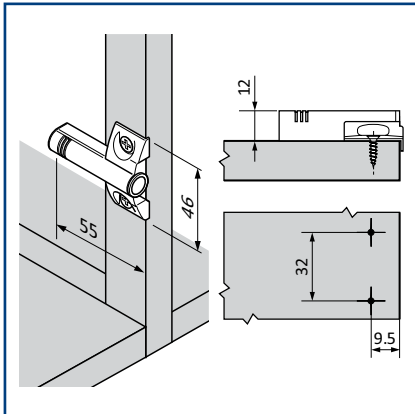
PRODUCT

BLUMOTION Piston



Art. No.

9701002



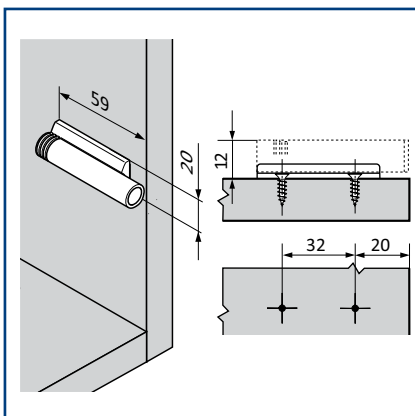
- Material: Grey / Plastic
- Fixing with chipboard screws $\text{Ø}3.5$ and $\text{Ø}4.0$ mm
- BLUMOTION must be ordered separately

Cruciform Adapter Plate



Art. No.

9701701



- Material: Grey / Plastic or Nickel / Zinc
- Fixing with chipboard screws $\text{Ø}3.5$ and $\text{Ø}4.0$ mm
- BLUMOTION must be ordered separately

Screw On Horizontal Nickel



Finish / Material

Art. No.

Nickel / Zinc

9705201

Handle-less furniture can be used throughout the home thanks to the TIP-ON mechanical opening system. TIP-ON cannot be combined with soft-close BLUMOTION.

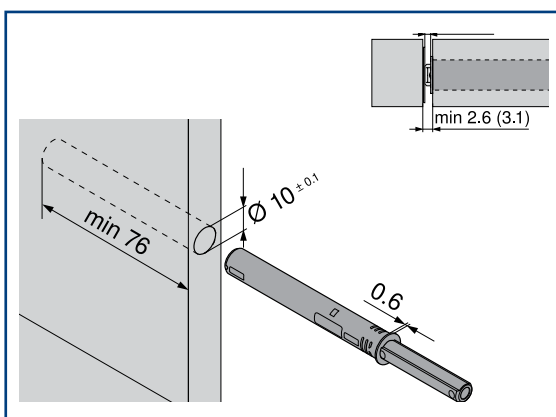
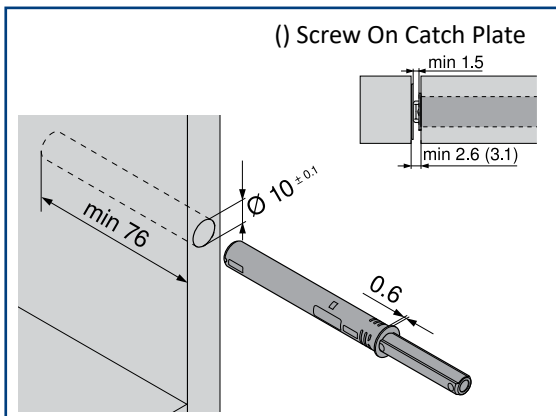
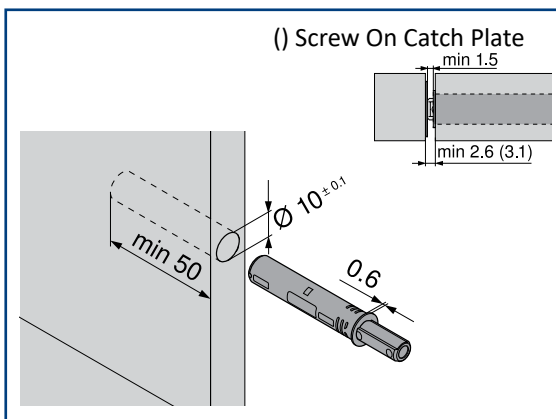
The wide opening angle gives users clear visibility of contents and full freedom of motion. The TIP-ON mechanism is durable and will not be damaged even if users pull open doors, wall cabinets and pull-outs.

To close, simply press shut.

TIP-ON is easily installed, either directly into the gable or by using a screw on adapter plate.



APPLICATION



DESCRIPTION

- For Overlay doors
- Wall Unit doors <1300 mm
- For BLUM unsprung hinges
- For AVENTOS Tip-ON
- Output Path 17 mm
- Adjustable +4/-1 mm
- Optional housings
- Platinum Grey Finish
- Magnet tip for screw on or adhesive plates

- Overlay and all inset doors
- All doors >1300 mm
- For BLUM unsprung hinges
- For AVENTOS Tip-ON
- Output Path 38 mm
- Adjustable +4/-1 mm
- Optional housings
- Platinum Grey Finish
- Magnet tip for screw on or adhesive plates

- For BLUM sprung hinges
- Output Path 38 mm
- Adjustable +4/-1 mm
- Optional housings
- Platinum Grey Finish
- Buffer tip for (no plate required)

PRODUCT

TIP-ON Short with magnet



Art. No.

9561004

TIP-ON Long with magnet



Art. No.

956A1004

TIP-ON Long with buffer



Art. No.

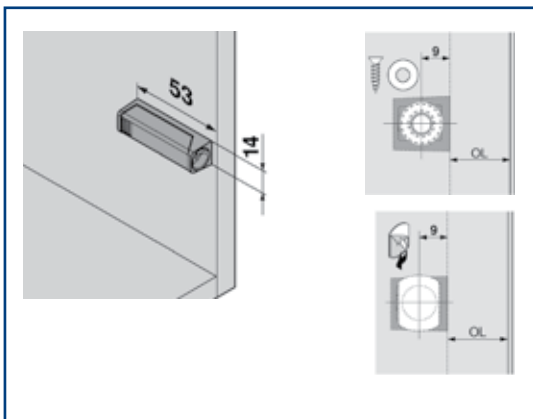
956A1006

TIP-ON Housing and Catches

- TIP-ON easy to open with just a light touch
- For overlay doors up to approx. 1300 mm height
- TIP-ON projection of 18 mm
- For use with unsprung Blum hinges
- Drill-in or in combination with adapter plates



APPLICATION



DESCRIPTION

- Inline adaptor plate for Art. No, 9561002
- Fixing with 3.5 or 4.0 mm chipboard screws
- Optional fixing with system screws
- Fixing positions marked on plate
- Platinum grey finish

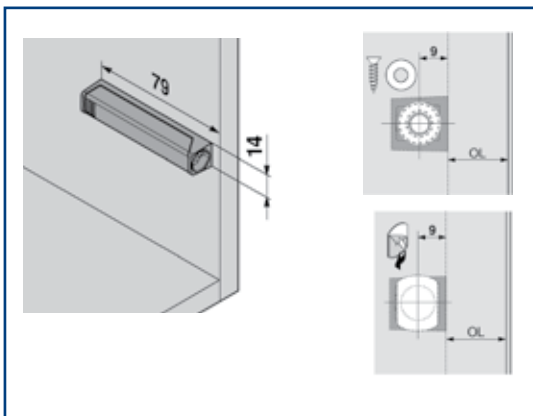
PRODUCT

TIP-ON Short adaptor



Art. No.

9561201



- Inline adaptor plate for Art. No, 956A1002 and 956A1006
- Fixing with 3.5 or 4.0 mm chipboard screws
- Optional fixing with system screws
- Fixing positions marked on plate
- Platinum grey finish

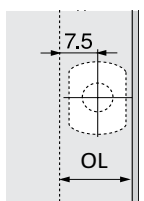
TIP-ON Long adaptor



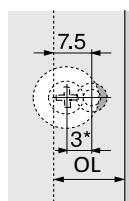
Art. No.

956A1201

Stick On Plate



Screw On Plate



OL = Overlay

- For use with TIP-ON short and long versions with magnetic tips
- Optional screw on or stick on plates

TIP-ON Striking Plates



Type

Art. No.

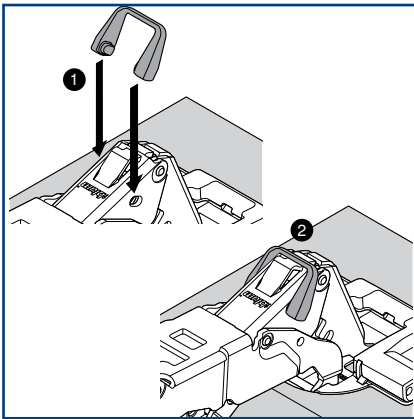
Screw On

9551008S

Stick On

9551008

APPLICATION



DESCRIPTION

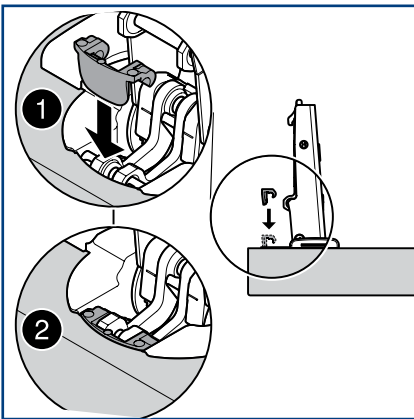
- For 155° hinges
- Restricts opening angle to 92°
- Tool Free assembly

PRODUCT

Opening Angle Stop



Opening Angle	Art. No.
92°	70T7553



- For 110° hinges
- Restricts opening angle to 86°
- Tool Free assembly

Opening Angle Stop



Opening Angle	Art. No.
86°	70T3553

- For 110° Blumotion hinges
- Sits behind hinge boss
- Tool Free assembly

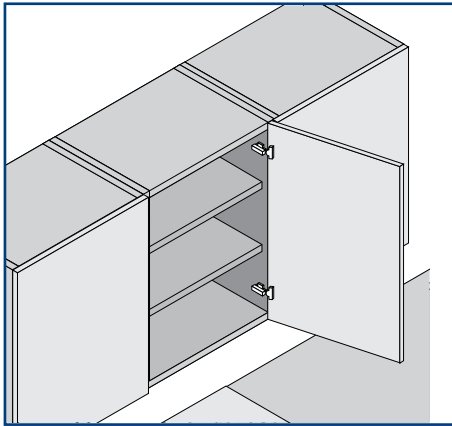
Hinge Boss Spacer



Space (mm)	Art. No.
1.5	70T3507.21

Nico Adjustable Door Hinge

APPLICATION







DESCRIPTION

- Maintenance free
- Independent, in situ 3 way adjustment with no shims required
- Hinge remains fixed to the door during adjustment process
- All adjustments via one 4mm allen key
- 80kg load carrying capability over 100,000 cycles
- Low friction bearings for smooth operation
- Steel hinge body with high performance zinc alloy adjustment housings

PRODUCT

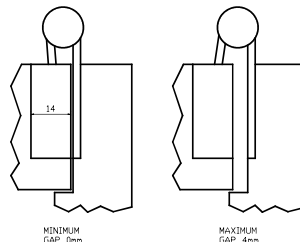
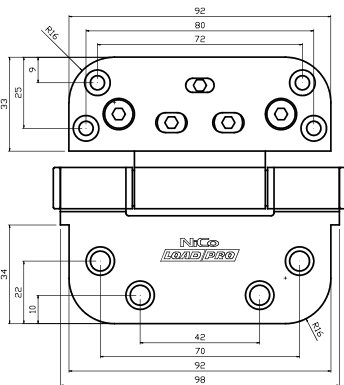


3D Adjustable Door Hinge

Application	Size	Max Adjusted Door Weight	Finish	Art. No
Standard	92 x 92 x 14mm/2.7mm	80kg	Supercoat Zinc	NM4915SZ
Open Out Door	92 x 92 x 14mm/2.7mm	80kg	Chrome	NM4915CH 
Open Out Door	92 x 92 x 14mm/2.7mm	80kg	Polished Brass	NM4915PB 
Open Out Door	92 x 92 x 14mm/2.7mm	80kg	Black	NM4915BL 
Open Out Door	92 x 92 x 14mm/2.7mm	80kg	White	NM4915WH 

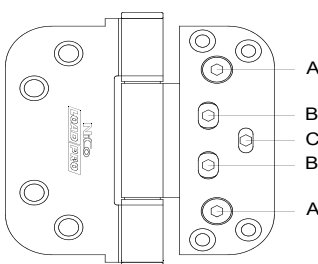
Hinge Systems

HINGE SIDE ADJUSTMENT



- Height adjustment = +/- 2.5mm
- Side adjustment = +/- 2.5mm
- Compression adjustment = +/- 2.0mm

HINGE ADJUSTMENT SEQUENCE



Vertical Adjustment

Slacken 'A' screws on hinges. Adjust door to correct height and retighten screws.

Horizontal Adjustment

Partially slacken 'B' screws on hinge. Turn 'C' screw anticlockwise to move leaves apart and clockwise to bring them together. Retighten 'B' screws after adjustment
NOTE Hinges supplied set with 2mm hinge gap.

Seal Compression Adjustment

Slacken 'B' screws. Adjust door to correct compression on seal and retighten screws.



Machines

Blum's range of drilling and insertion machines provides you with the right solution for everyday assembly situations. Quick set-up and easy operation ensure the efficient assembly of all Blum fittings.



Templates and Jigs

Blum's templates and assembly devices help you assemble Blum products. Tried and tested in everyday applications, they ensure that assembly is simple, efficient and straight forward.

Offering high precision and practical value, which is greatly appreciated both in workshops and directly on site, their ease of use and durability make them essential tools and guarantee top quality assembly that inspires professionals.

MINIPRESS TOP





MINIPRESS top for EASYSTICK

The MINIPRESS top allows you to carry out all vertical and horizontal drilling operations with a single machine. Combined with EASYSTICK, precise drilling positions are calculated for you, and the ruler and vertical drilling unit automatically move to the right position.

- Vertical and horizontal drilling and optional insertion of Blum fittings
- Simple adjustment of dimensions with easily accessible operating elements.
- Change drilling heads quickly and simply
- Easy to use positioning system through fast tool-free changeover of pre-set rulers

MINIPRESS top

Art No	Description
BM75E2000 	MINIPRESS top for Easystick - vertical and horizontal
BMZD5700 	EASYSTICK Computer for MINIPRESS top
BMZD2700 	EASYSTICK Ruler 1700 mm for MINIPRESS top



Drilling head clamping

The drilling head (colour-coded) fitted with drill bits and insertion rams (optional) can be fixed quickly and tool-free using a clamping lever.



Digitised work progress

EASYSTICK digitises planning and assembly. You can either plan directly on the machine or copy your data from the Cabinet Configurator.



Easy processing your work assignments

You can call up your work assignments with the barcode scanner and continue working with them.



Efficient and versatile use

Fitted with EASYSTICK, the drilling unit (Y axis) moves automatically up to 350 mm. This increases the range of assembly options and permits the positioning of centred line drilling for deep cabinets.

MINIPRESS top for EASYSTICK

The MINIPRESS top allows you to carry out all vertical drilling operations with a single machine. Combined with EASYSTICK, precise drilling positions are calculated for you, and the ruler and vertical drilling unit automatically move to the right position.

- Vertical drilling and optional insertion of Blum fittings
- Simple adjustment of dimensions with easily accessible operating elements.
- Change drilling heads quickly and simply
- Easy to use positioning system through fast tool-free changeover of pre-set rulers



MINIPRESS top

Art No		Description
BM70E2000		MINIPRESS top for Easystick - vertical
BMZD5700		EASYSTICK Computer for MINIPRESS top
BMZD2700		EASYSTICK Ruler 1700 mm for MINIPRESS top



Drilling head clamping

The drilling head (colour-coded) fitted with drill bits and insertion rams (optional) can be fixed quickly and tool-free using a clamping lever.



Digitised work progress

EASYSTICK digitises planning and assembly. You can either plan directly on the machine or copy your data from the Cabinet Configurator.



Easy processing your work assignments

You can call up your work assignments with the barcode scanner and continue working with them.



Efficient and versatile use

Fitted with EASYSTICK, the drilling unit (Y axis) moves automatically up to 350 mm. This increases the range of assembly options and permits the positioning of centred line drilling for deep cabinets.

MINIPRESS M




MINIPRESS M

The MINIPRESS M from Blum is a compact tool that is flexible enough to be used on site or in the workshop as the MINIPRESS M requires neither pressurized air or industrial electrical power supply.

- Vertical drilling
- Insertion facility
- Precise assembly
- Transportable (no compressed air required) - can also be used at the work site
- Can be operated from a regular power outlet.
- Quick and easy operation

MINIPRESS M

Art No	Description
BM521050 	Minipress M Machine



Drilling of various patterns

With the multi-swivel drilling head, various drilling patterns for furniture fixings can be set quickly, precisely and without the need for tools.



Insertion of Blum components

MINIPRESS M is equally efficient when it comes to inserting Blum fittings. The operation is both simple and precise.



Drilling and insertion

The lever is pulled down manually for drilling or insertion.

Optional Extras



Quick connect chuck

For quick and comfortable drill bit changeovers. The quick connect chucks can be retrofitted individually.



9 spindle drilling head

For efficient drilling of hole groups within the 32mm system.



8 spindle drilling head

For the assembly of BOX front fixings and cabinet profiles.

MINIPRESS P

As a drilling and fittings insertion specialist, MINIPRESS P takes on the routine jobs in the workshop producing precise assembly results for; cabinets, doors and fronts.

Once set-up is complete, the drilling and insertion processes are quick, accurate and easy.

- Precise assembly
- Vertical drilling and component insertion
- Drilling distance settings using spindle
- Pneumatic feed
- Optional upgrades: Laser centre stop, digital display for drilling distance setting, hold down clamps



MINIPRESS P

Art No	Description
BM531050.01 	Minipress P Machine



Drilling of various patterns

With the multi-swivel drilling head, various drilling patterns for furniture fixings can be set quickly, precisely and without the need for tools.



Insertion of Blum components

MINIPRESS P is equally efficient when it comes to inserting Blum fittings. The operation is both simple and precise.



Practical and precise ruler system

The drilling distance is set easily from the front using a calibrated spindle.

Optional Extras



Quick connect chuck

For quick and comfortable drill bit changeovers. The quick connect chucks can be retrofitted individually.



9 spindle drilling head

For efficient drilling of hole groups within the 32mm system.



8 spindle drilling head

For the assembly of BOX front fixings and cabinet profiles.

Jigs & Templates

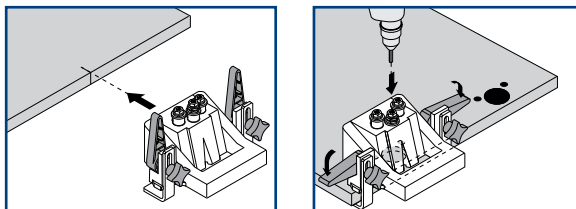
KG ECO DRILL



Art. No.
KG ECODRILL

ECO DRILL

- Simple hand held tool to drill accurate hole patterns for Blum hinges
- Driven by hand drill
- Clamps onto door
- Drills 35mm and 2 x 8mm



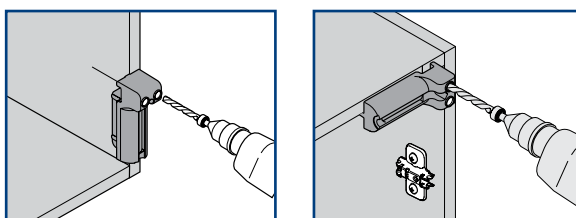
BLUMOTION / TIP-ON TEMPLATE



Art. No.
B655010

BLUMOTION / TIP-ON DRILLING TEMPLATE

- Template for drilling the side fixing positions for Blumotion for doors as well as for Tip-On for doors
- Assembly on marking line possible



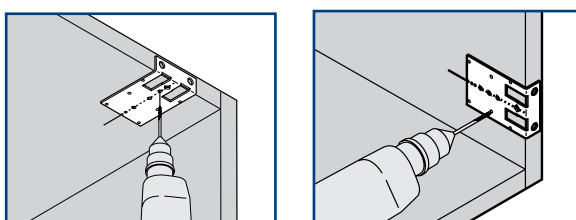
HINGE PLATE TEMPLATE



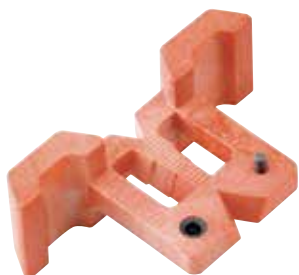
Art. No.
B655300

HINGE PLATE TEMPLATE

- Template for drilling the fixing positions for mounting plates
- Template for transferring door measurements to the cabinet
- Assembly on a marking line



HINGE PLATE DRILLING TEMPLATE



Art. No.
B655070

HINGE PLATE DRILLING TEMPLATE

- Template for drilling the fixing positions for mounting plates
- Template for drilling 5 mm diameter holes
- Assembly on a marking line

